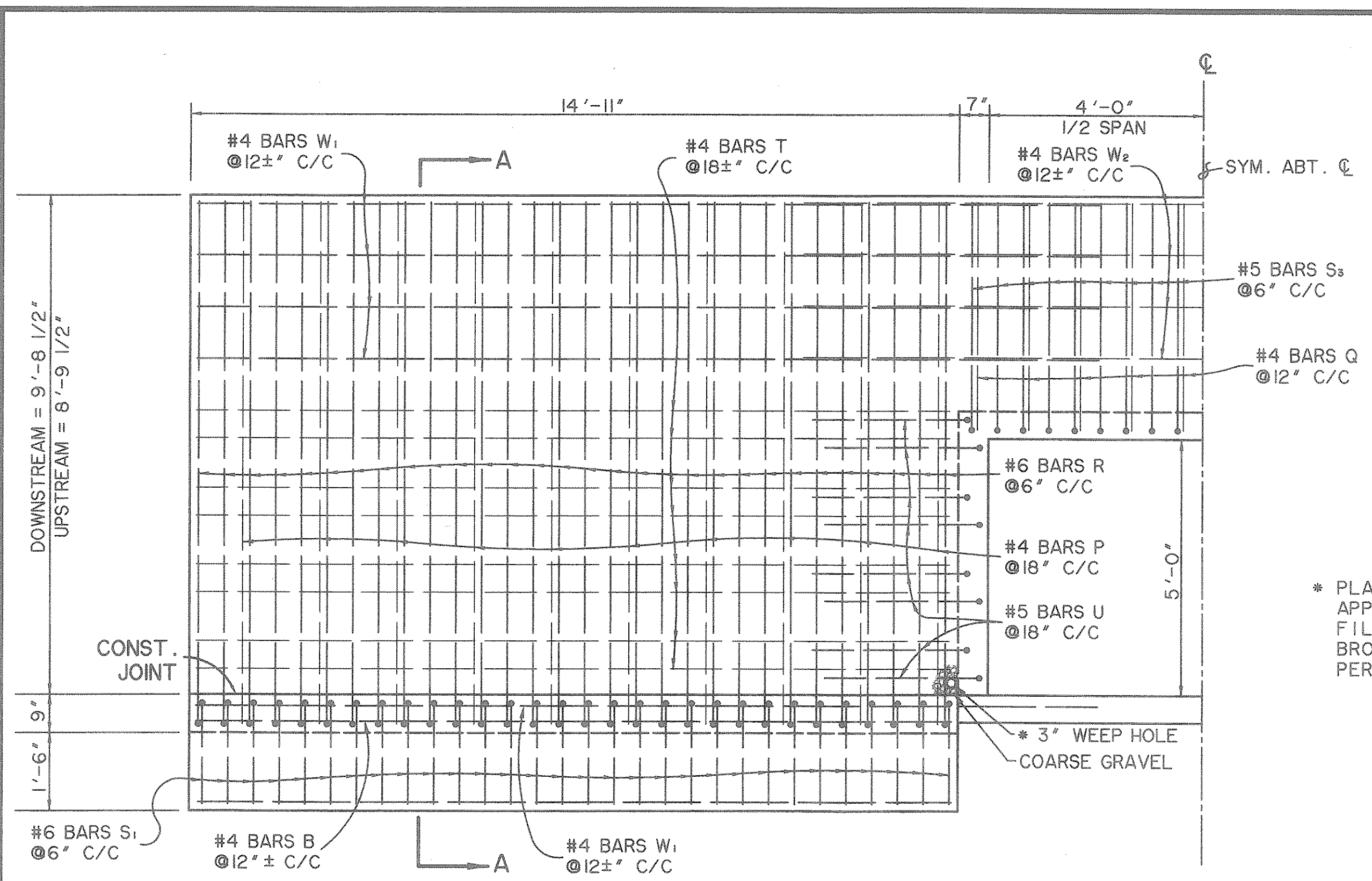
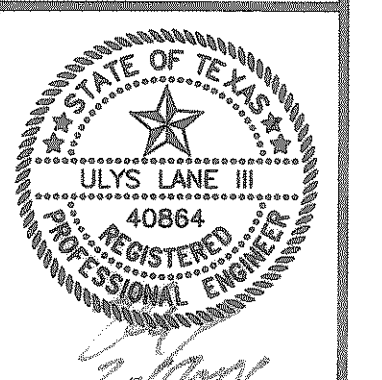
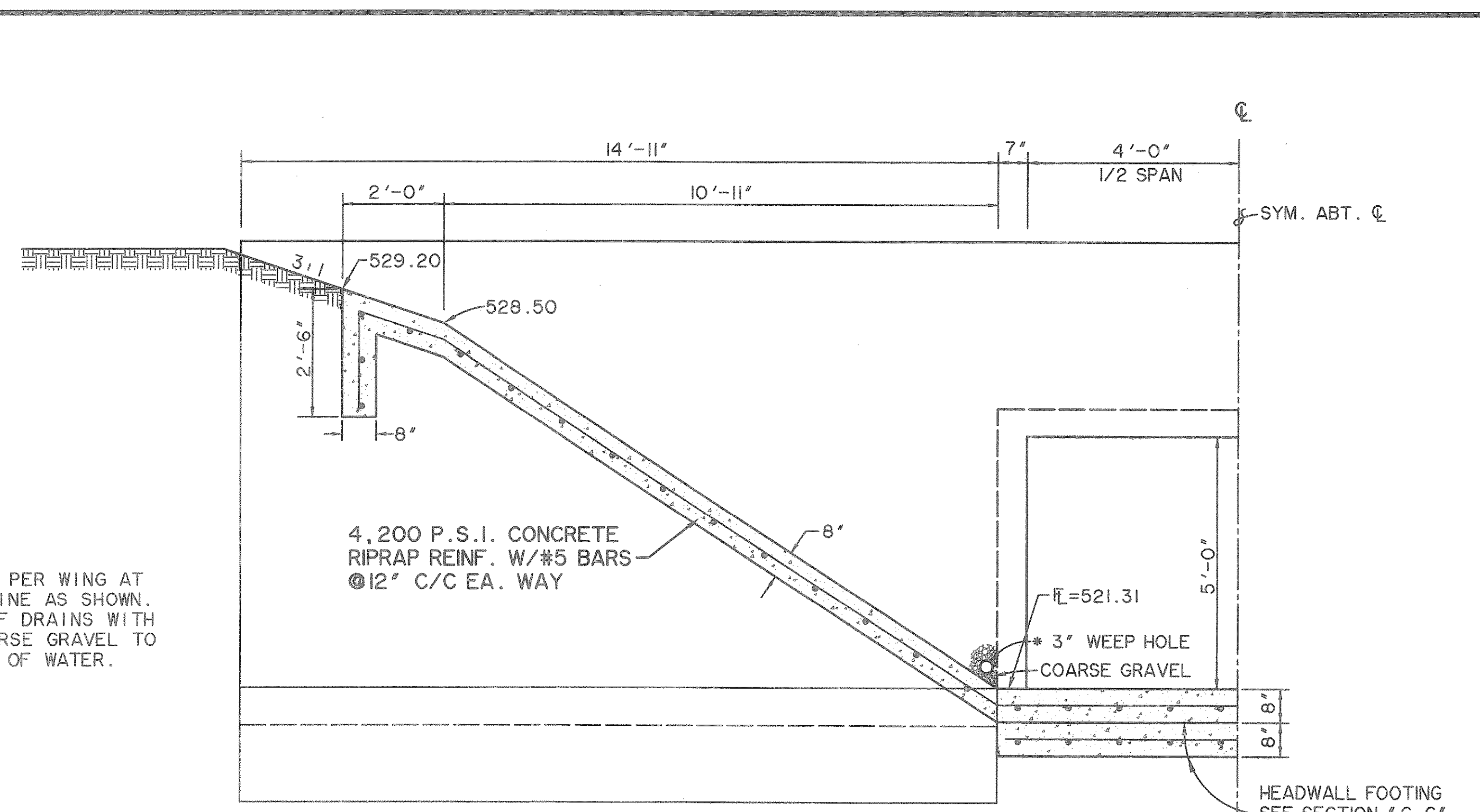


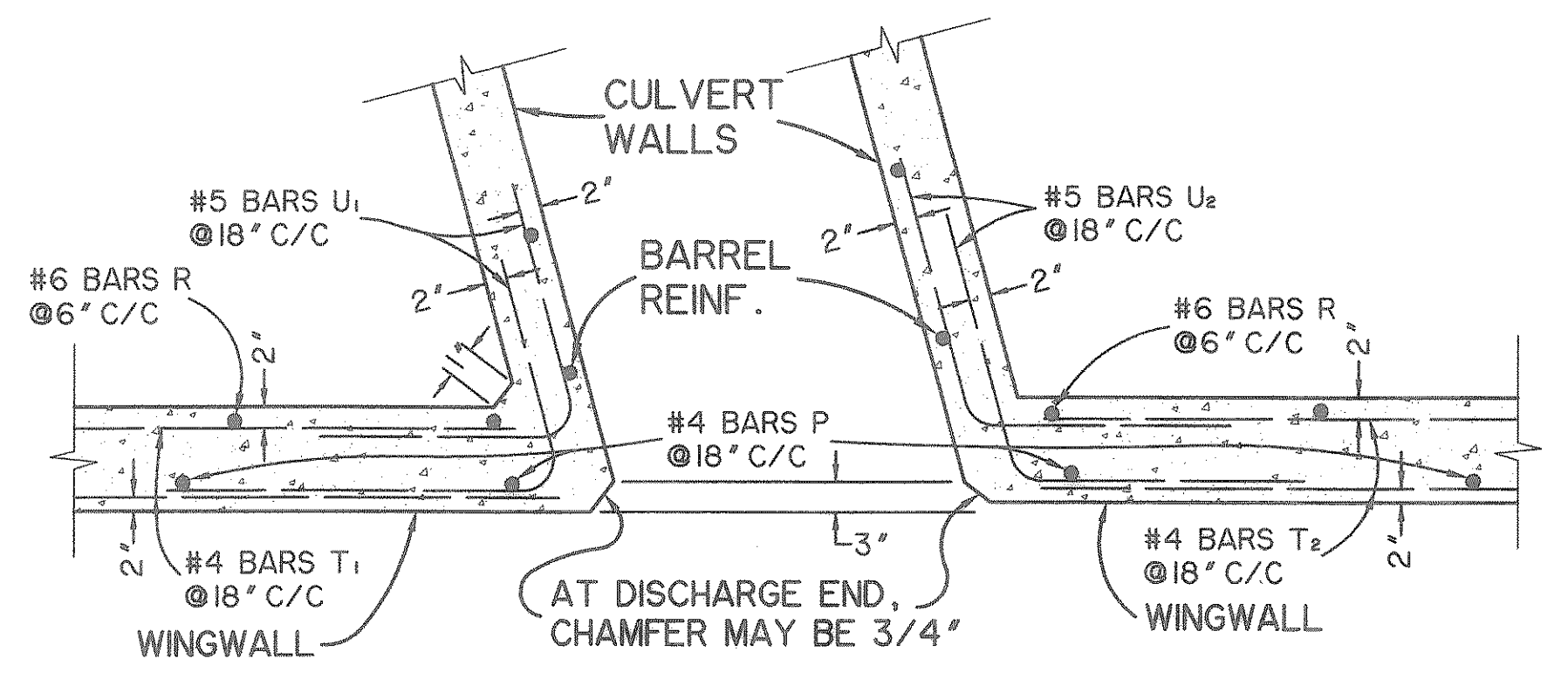
**8'x5' BOX CULVERT
 HEADWALL DETAILS**



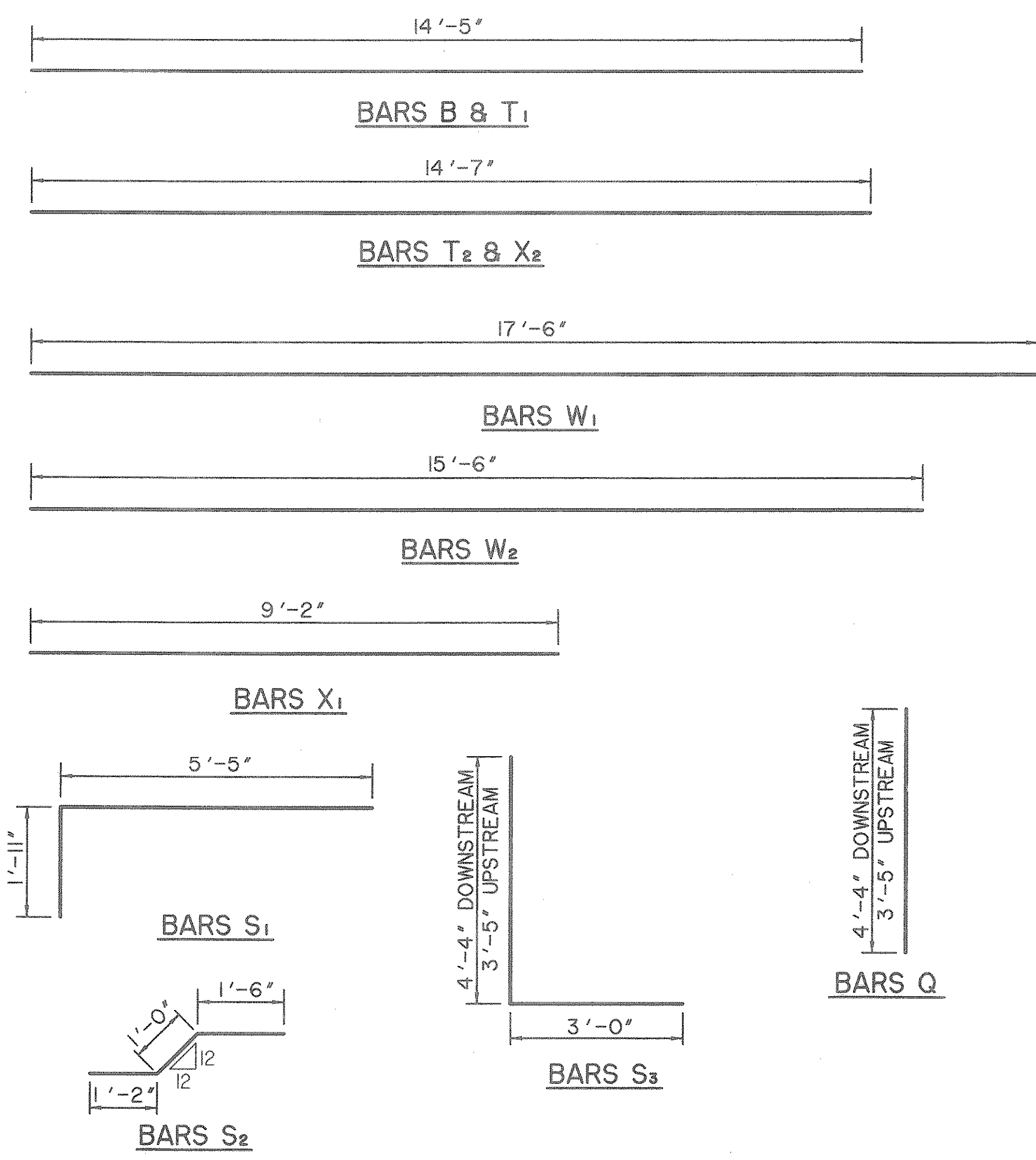
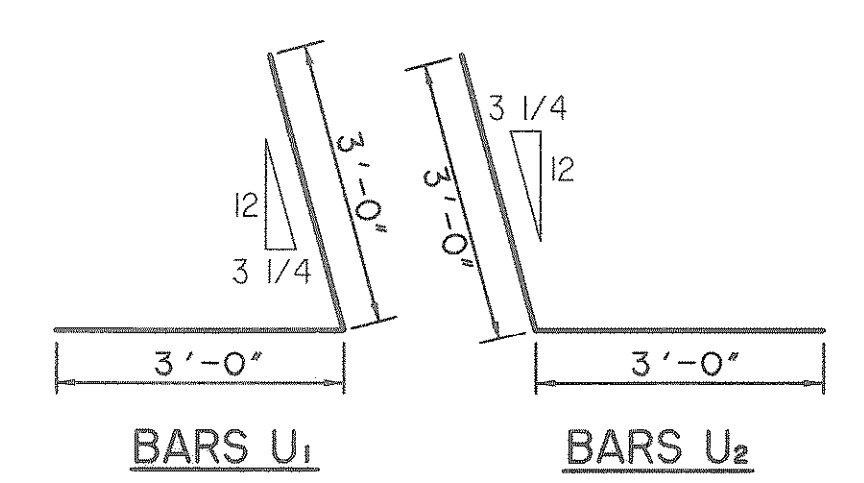
HALF SECTION "D-D"
 N.T.S.



HALF SECTION "E-E"
 N.T.S.



CORNER DETAIL
 N.T.S.



- NOTES:
 1. CHAMFER ALL EXPOSED CORNERS 3/4".
 2. ALL DIMENSIONS RELATING TO REINFORCING STEEL ARE TO CENTERS OF BARS.
 3. THE BOTTOM SLAB OF THE BARREL, WING FOOTINGS AND TOE WALLS SHALL BE PLACED IN ONE CONTINUOUS OPERATION.
 4. WINGS SHALL BE CONSTRUCTED MONOLITHIC WITH THE BARREL. IF CONSTRUCTION JOINTS ARE USED NEAR THE TOP OF THE BARREL WALLS THESE JOINTS SHALL CONTINUE THROUGH THE WINGS.

TIME: 15:28 FILE: culvert13.dwg