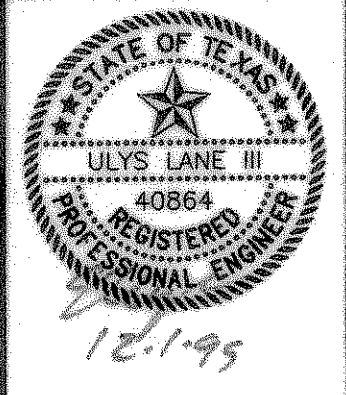
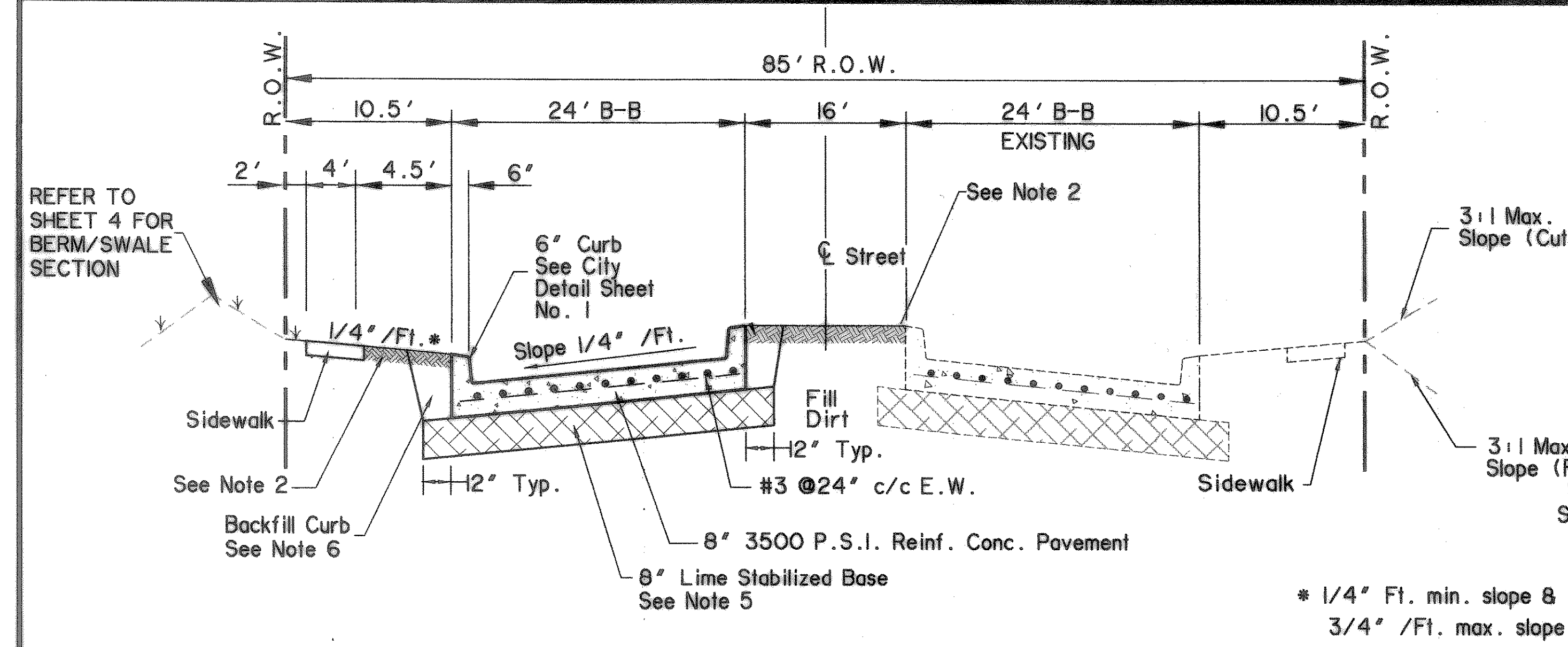


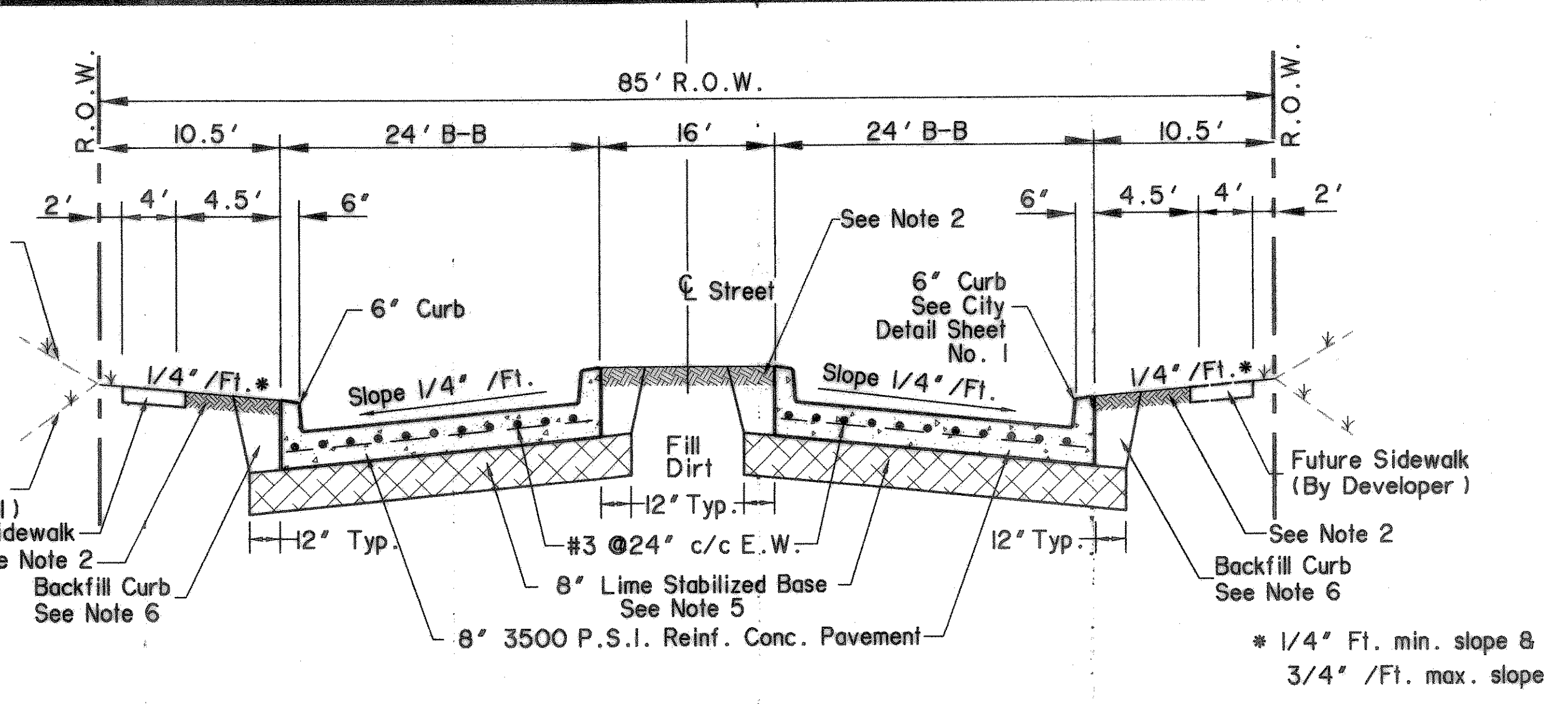
TYPICAL SECTIONS
STA 35+75 TO 55+30



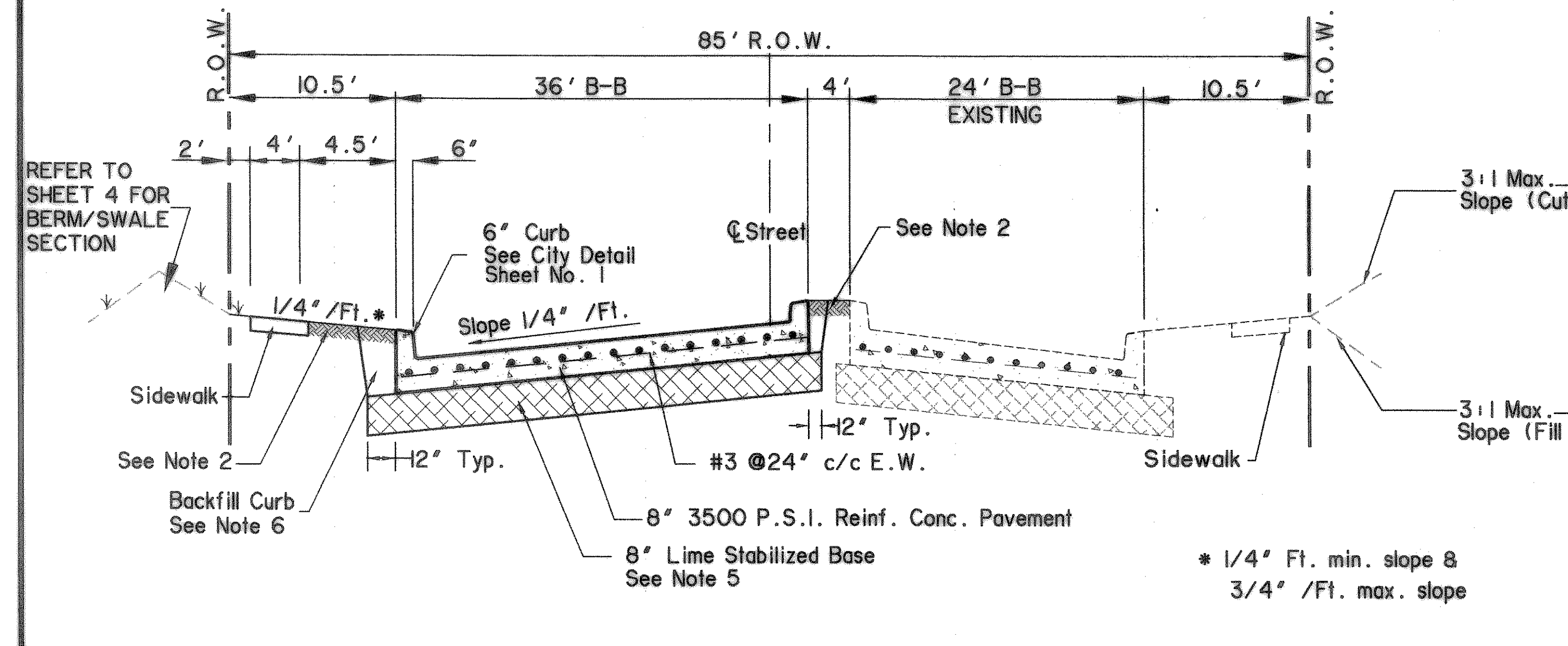
COPYRIGHT ©
 WIER & ASSOCIATES, INC.
 LAST SHEET EDIT
 DATE 11-29-99
 WA# 97057
SHEET NO.
 3



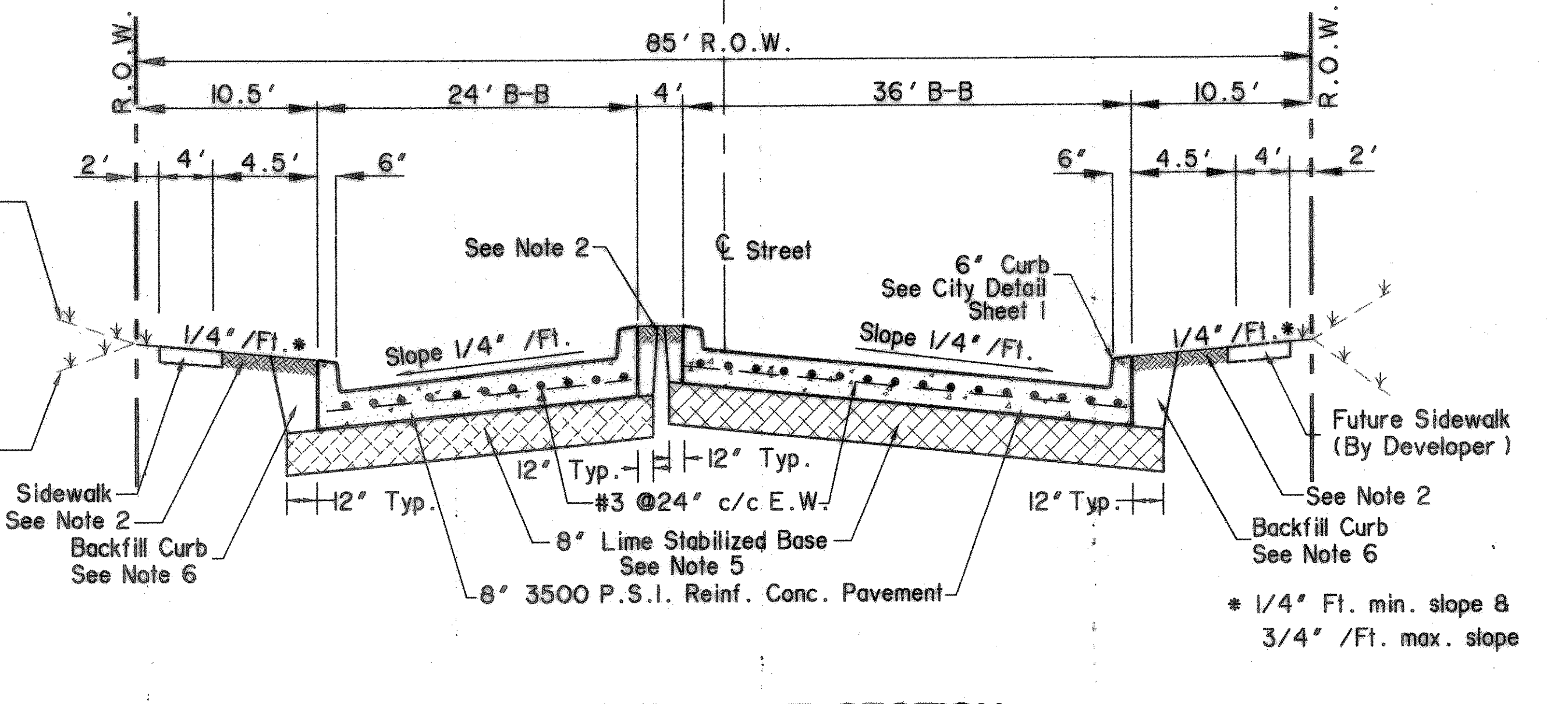
REGULAR SECTION
 STA 35+75 TO 44+29
 N.T.S.



REGULAR SECTION
 STA 44+29 TO 55+30
 N.T.S.



LEFT TURN LANE SECTION
 STA 35+75 TO 44+29
 N.T.S.



LEFT TURN LANE SECTION
 STA 44+29 TO 55+30
 N.T.S.

NOTES

1. CONSTRUCT PAVEMENT IN ACCORDANCE WITH CITY STANDARD CONSTRUCTION DETAILS EXCEPT AS NOTED HEREON.
2. PLACE BERMUDA GRASS SOD IN MEDIANS AND BETWEEN CURB AND SIDEWALK OR 5'-6" BACK OF CURB AS PER SPECIFICATIONS.
3. IMPORT AND PLACE MINIMUM 4" TOPSOIL ON CUT AND FILL SLOPES. HYDROMULCH SEED WITH BERMUDA GRASS AS PER SPECIFICATIONS.
4. COMPACT ALL FILLS TO MINIMUM 95% OF STANDARD PROCTOR DENSITY. FILL COMPACTION SHALL BE PERFORMED WITH A SHEEPSFOOT ROLLER.
5. 8" LIME STABILIZED SUBGRADE WITH HYDRATED LIME (41 lbs/S.Y.) AND COMPACTED TO A MINIMUM 95% ASTM D1657 (MODIFIED PROCTOR) DENSITY AT A MOISTURE CONTENT BETWEEN OPTIMUM AND 4% ABOVE OPTIMUM.
6. BACKFILL ALL CURBS WITH ON-SITE BROWN CLAY SOILS COMPACTED TO A MINIMUM 95% OF STANDARD PROCTOR DENSITY. TYPICAL ALL ROADWAY AND STREET CURBS THIS PROJECT.

RECORD PLANS
 1-15-02

FILE: hysac2b.dwg
 TIME: 7:59