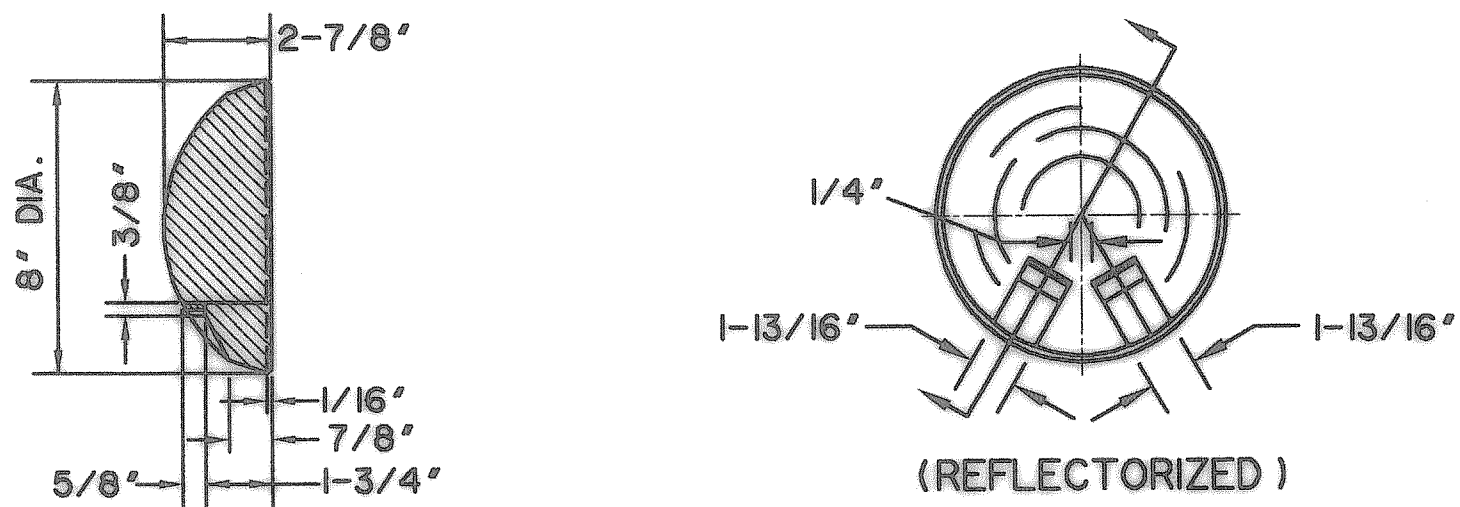
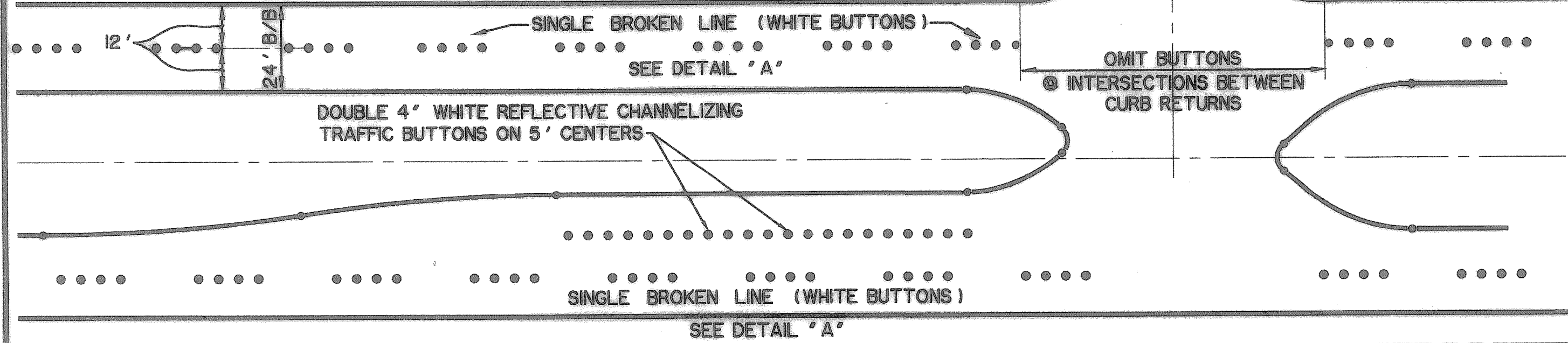


4" TRAFFIC BUTTONS



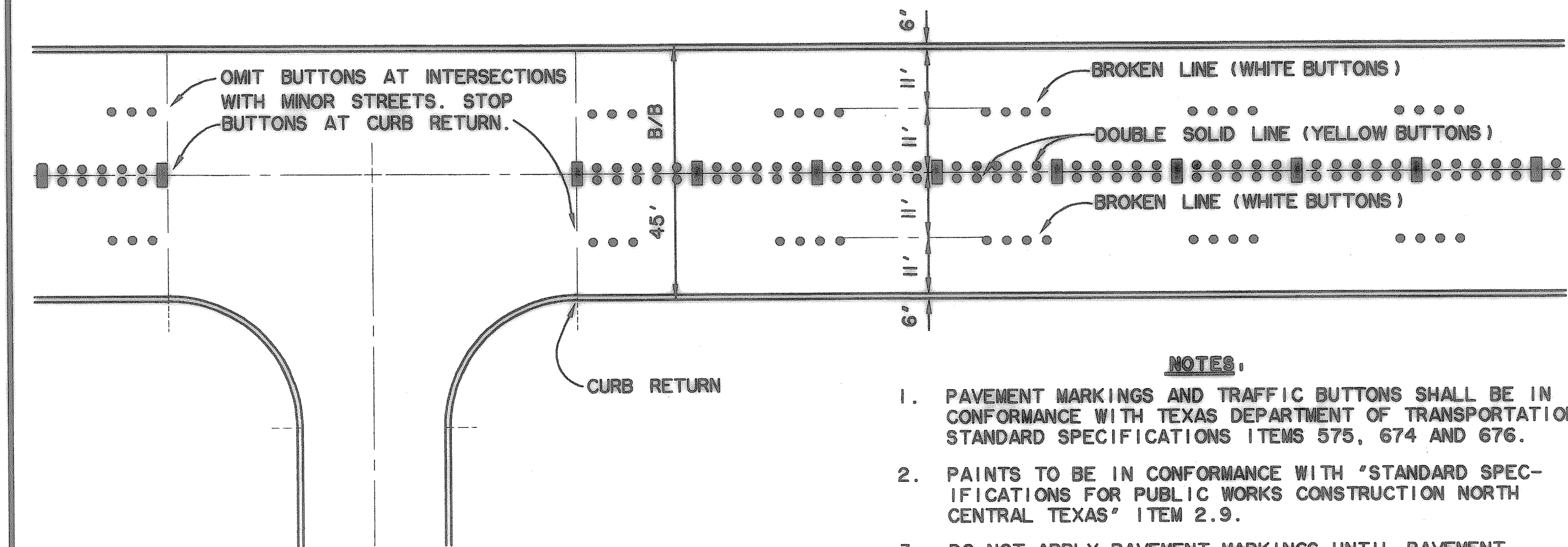
8" PAVEMENT MARKERS



TYPICAL LAYOUT FOR 2-24' B/B BOULEVARD SECTION

N.T.S.

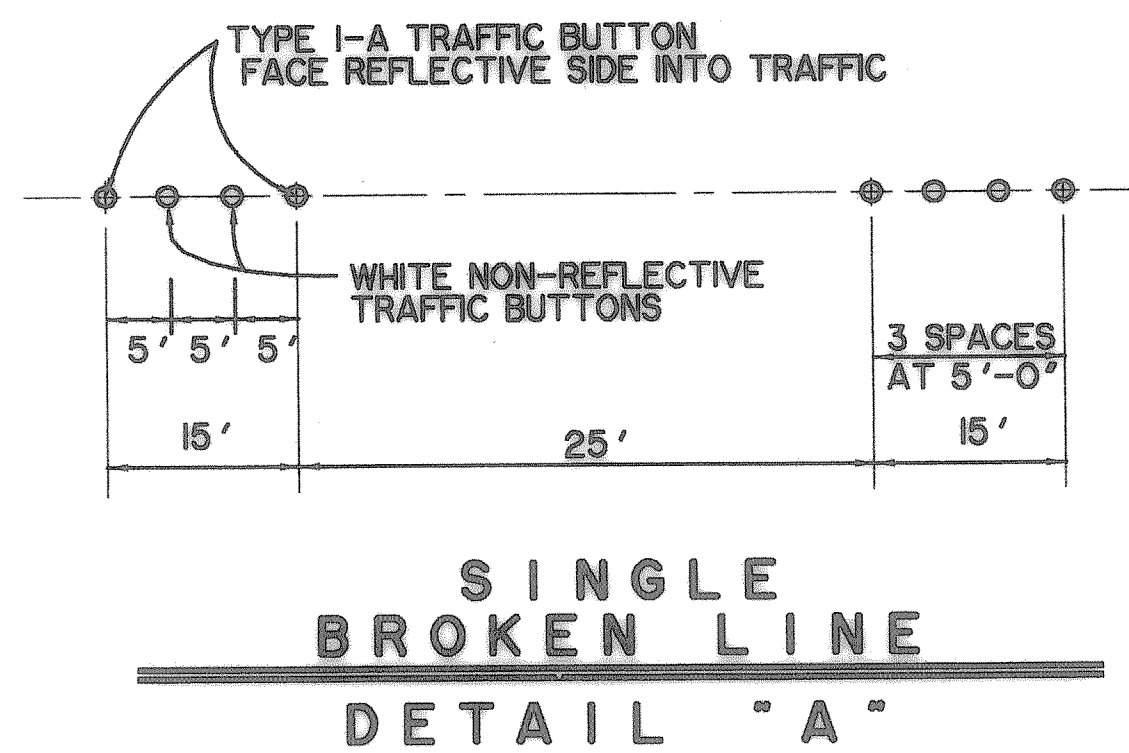
NOTE:
 * BUTTON RIGHT TURN LANES SAME AS LEFT TURN LANES
 STRIPING MUST BE APPROVED BY CITY ENGINEER IN LIEU OF BUTTONS. TYPICALLY STRIPING IS ONLY USED FOR MAINTENANCE OF EXISTING STRIPING.



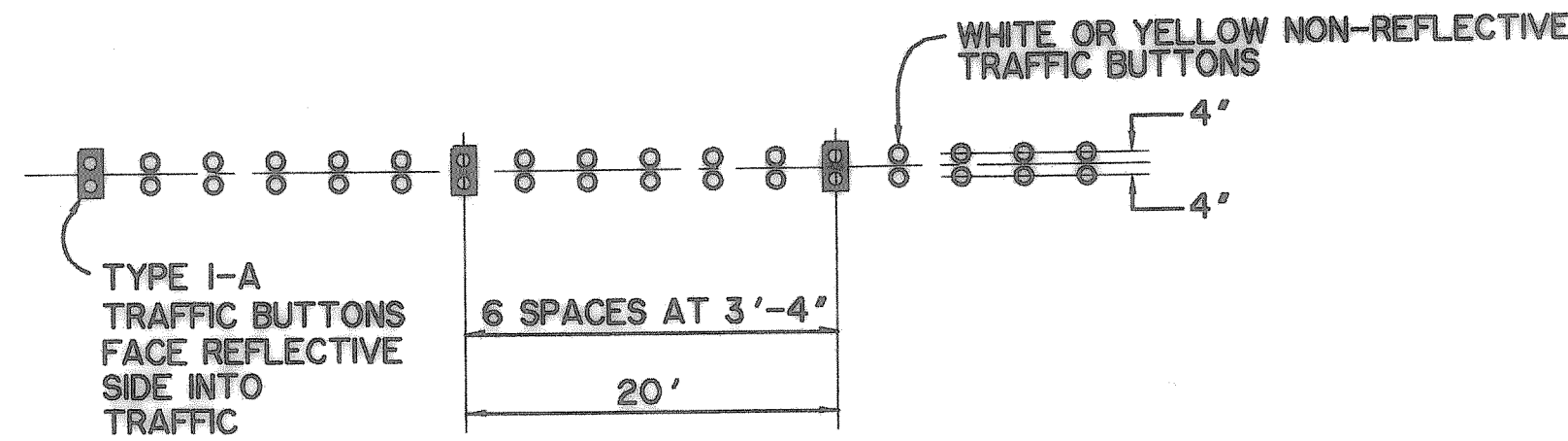
TYPICAL LAYOUT FOR 45' B/B STREET SECTION

N.T.S.

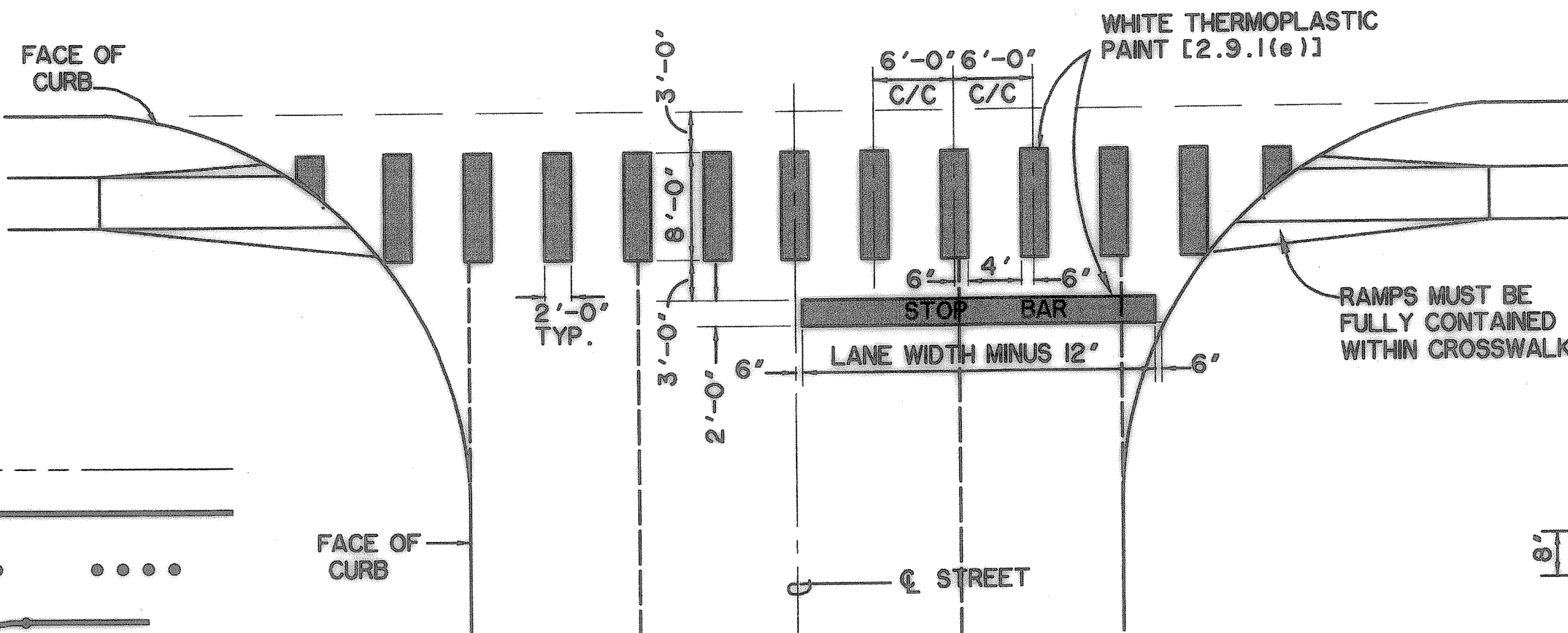
- NOTES:**
- PAVEMENT MARKINGS AND TRAFFIC BUTTONS SHALL BE IN CONFORMANCE WITH TEXAS DEPARTMENT OF TRANSPORTATION STANDARD SPECIFICATIONS ITEMS 575, 674 AND 676.
 - PAINTS TO BE IN CONFORMANCE WITH "STANDARD SPECIFICATIONS FOR PUBLIC WORKS CONSTRUCTION NORTH CENTRAL TEXAS" ITEM 2.9.
 - DO NOT APPLY PAVEMENT MARKINGS UNTIL PAVEMENT SURFACE AND BUTTON LAYOUT HAS BEEN APPROVED BY ENGINEER.



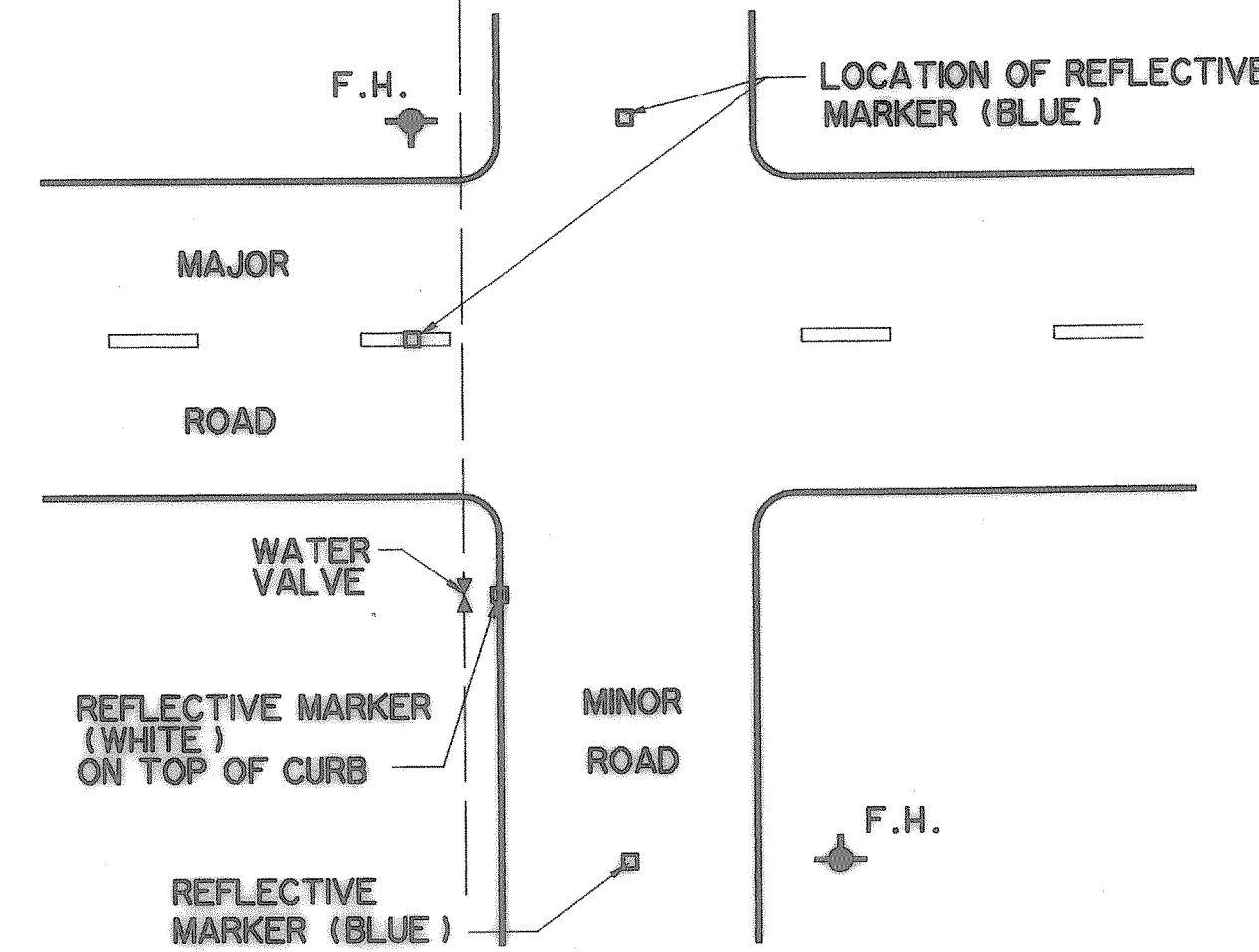
SINGLE BROKEN LINE DETAIL "A"



DOUBLE SOLID LINE



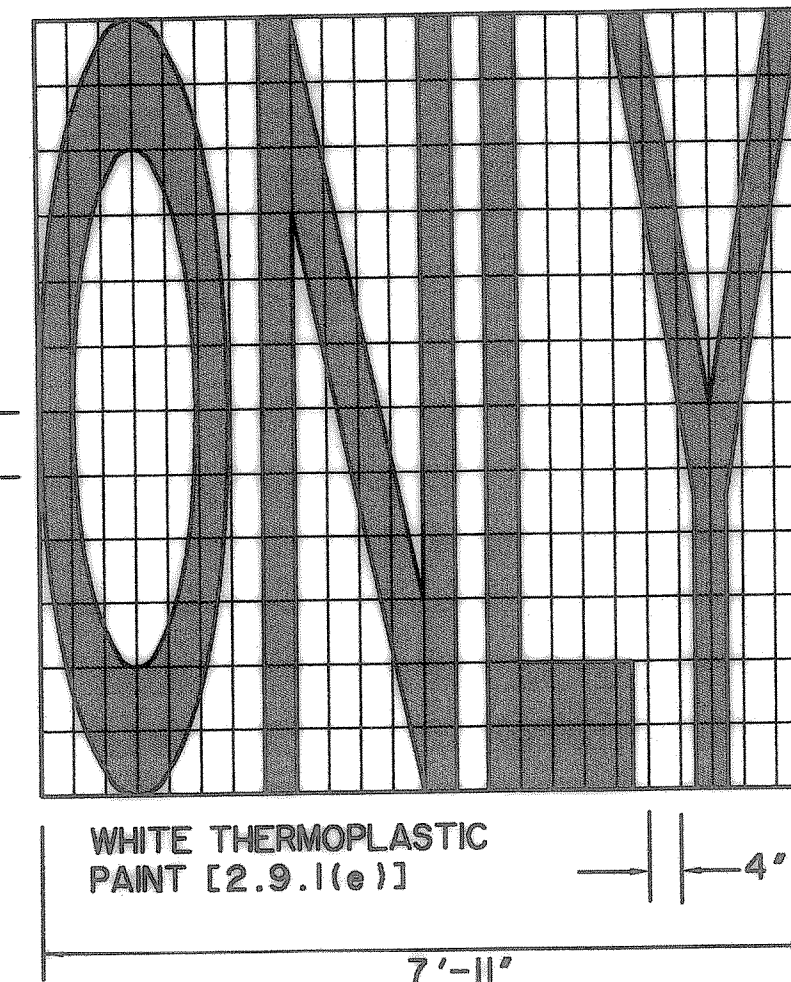
INTERSECTION CROSSWALK



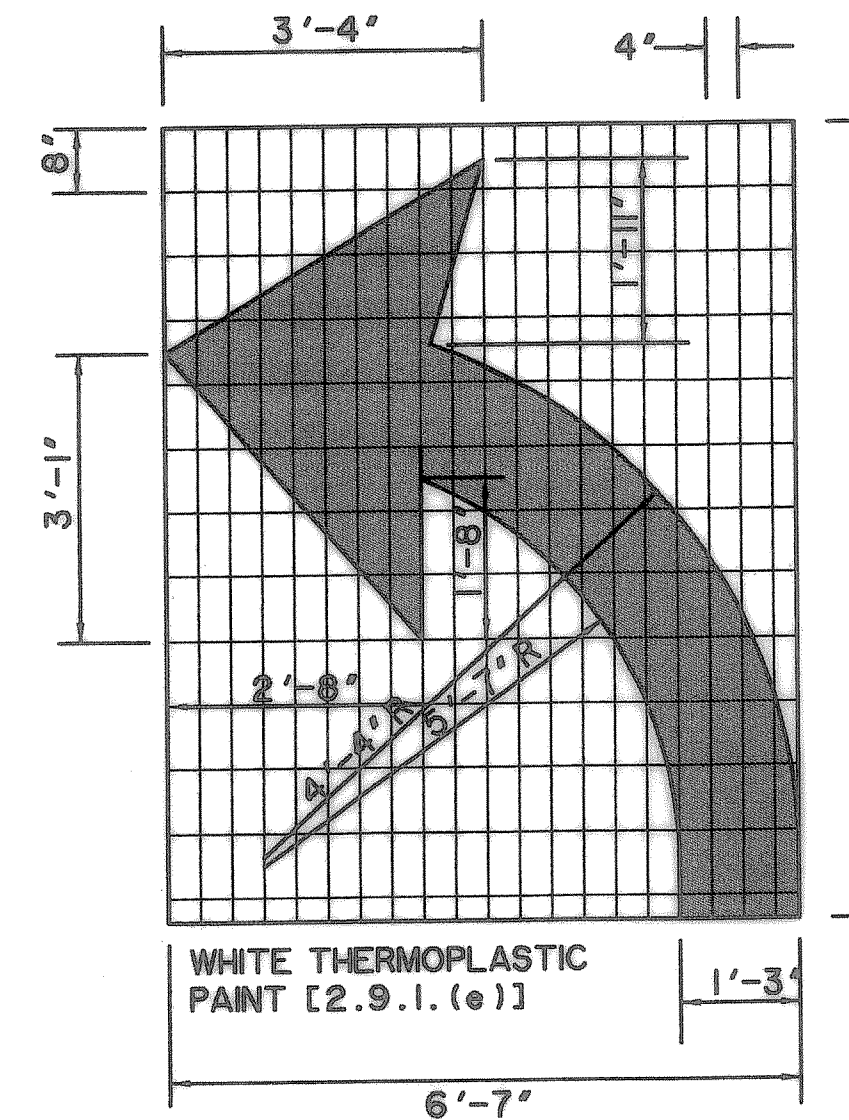
WATER APPURTENANCE MARKERS

NOTES:

- ALL CONSTRUCTION MATERIALS, METHODS AND PLACEMENT NOT DETAILED ABOVE SHALL MEET OR EXCEED THE STANDARD SPECIFICATIONS OF THE NORTH CENTRAL TEXAS COUNCIL OF GOVERNMENTS UNLESS SUPERCEDED BY CITY OF ROCKWALL STANDARD SPECIFICATIONS.
- ALL MARKERS SHALL BE A CUBE CORNER TYPE REFLEX REFLECTOR MOLDED OF OPTIC GRADE PLASTIC, WITH A HOUSING OF HIGH IMPACT ABS PLASTIC, WITH A FILLER OF INERT THERMOSETTING RESINS. SARGENT-SOWEL INC. (SASO) #44-024T, OR STIMSONITE.
- EACH WATER SYSTEM VALVE OR CLUSTER OF VALVES LOCATED ADJACENT TO A CITY STREET SHALL RECEIVE A WHITE REFLECTORIZED MARKER PLACED ON TOP OF THE CURB AS CLOSE AS POSSIBLE TO THE VALVE.
- EACH LOCATION OF A FIRE HYDRANT SHALL RECEIVE A BLUE REFLECTORIZED MARKER LOCATED IN THE CENTER OF ANY STREET TO WHICH IT IS ADJACENT (2 FOR HYDRANTS ON STREET CORNERS). ANY OTHER MARKERS SHALL BE PLACED AS NEEDED AND AS REQUESTED BY THE CITY OF MANSFIELD.
- UNLESS OTHERWISE SPECIFIED ANY SUBSTITUTIONS SHALL BE APPROVED BY THE ENGINEERING DEPARTMENT PRIOR TO INSTALLATION.

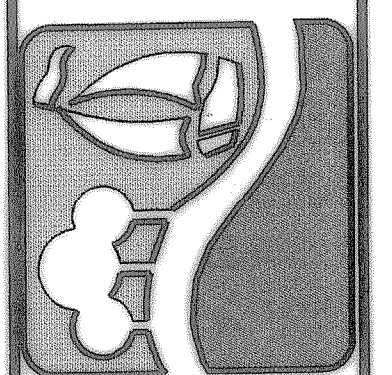


"ONLY" SIGN

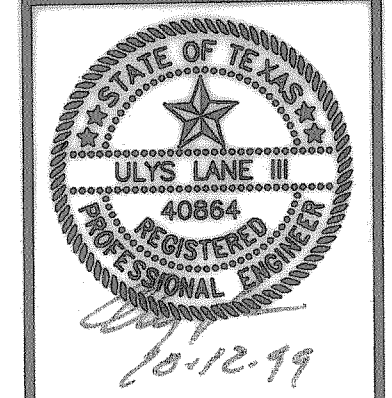


TURN ARROW SIGN

PREPARED BY:
VIA WIER & ASSOCIATES, INC.
 ENGINEERS SURVEYORS LAND PLANNERS
 4300 BELLEVUE PLACE, SUITE 130, ARLINGTON, TEXAS 76010 METRO (817)467-7700
 4108 AMARILLO CORNER BLVD., SUITE 200 FORT WORTH, TEXAS 76105 METRO (817)365-9437



STRIPING / PAVEMENT MARKER DETAILS



COPYRIGHT © WIER & ASSOCIATES, INC.
 LAST SHEET EDIT DATE 10-08-99
 WA# 97057
SHEET NO. 50

RECORD PLANS
 1-15-02

TIME: 01:16 FILE: DETSTRIP.dwg