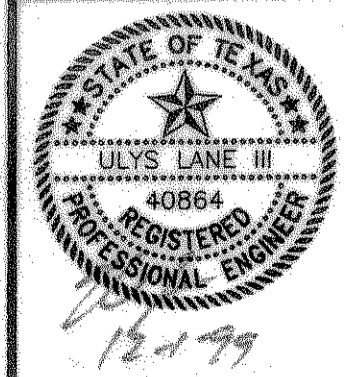
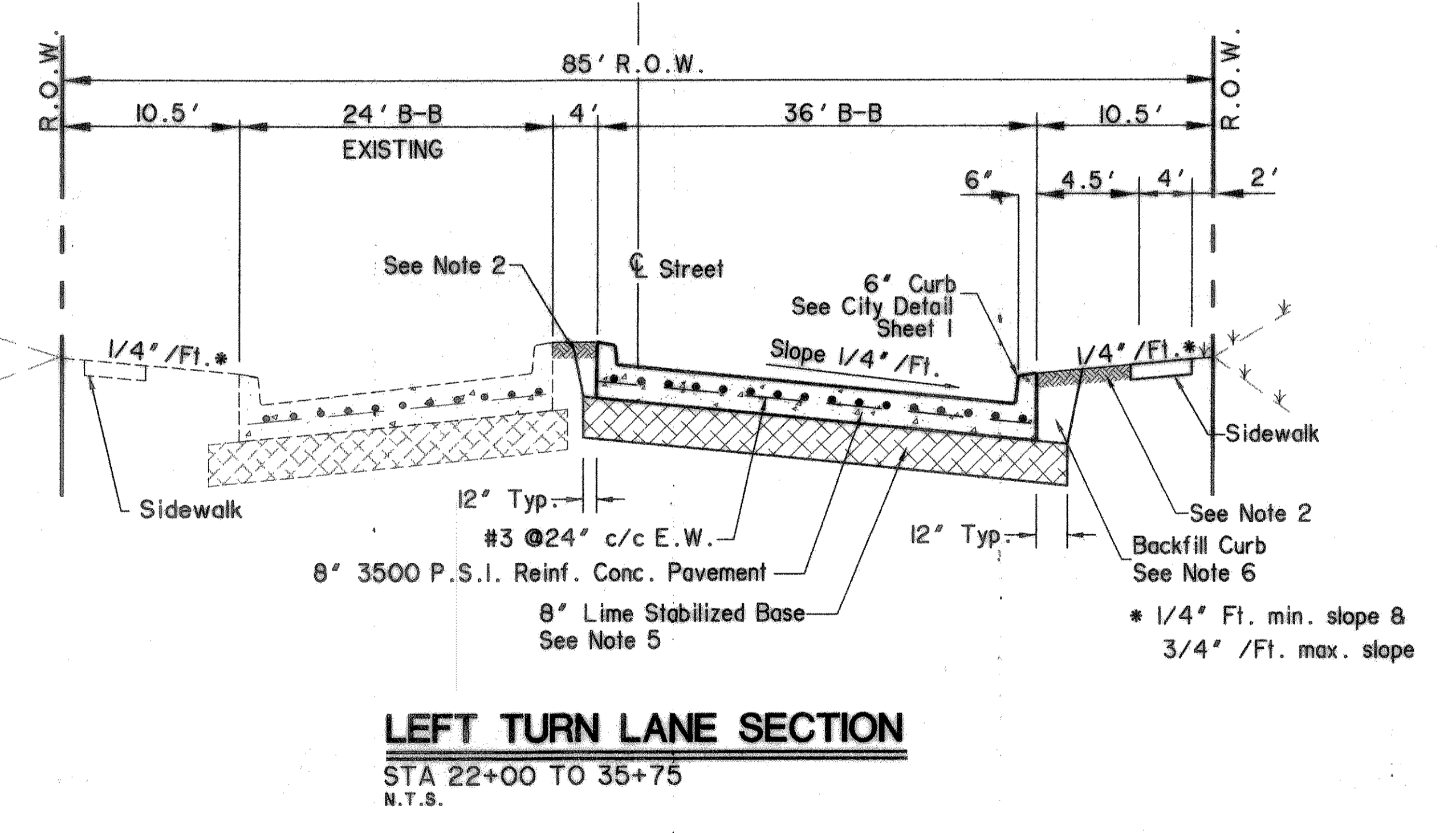
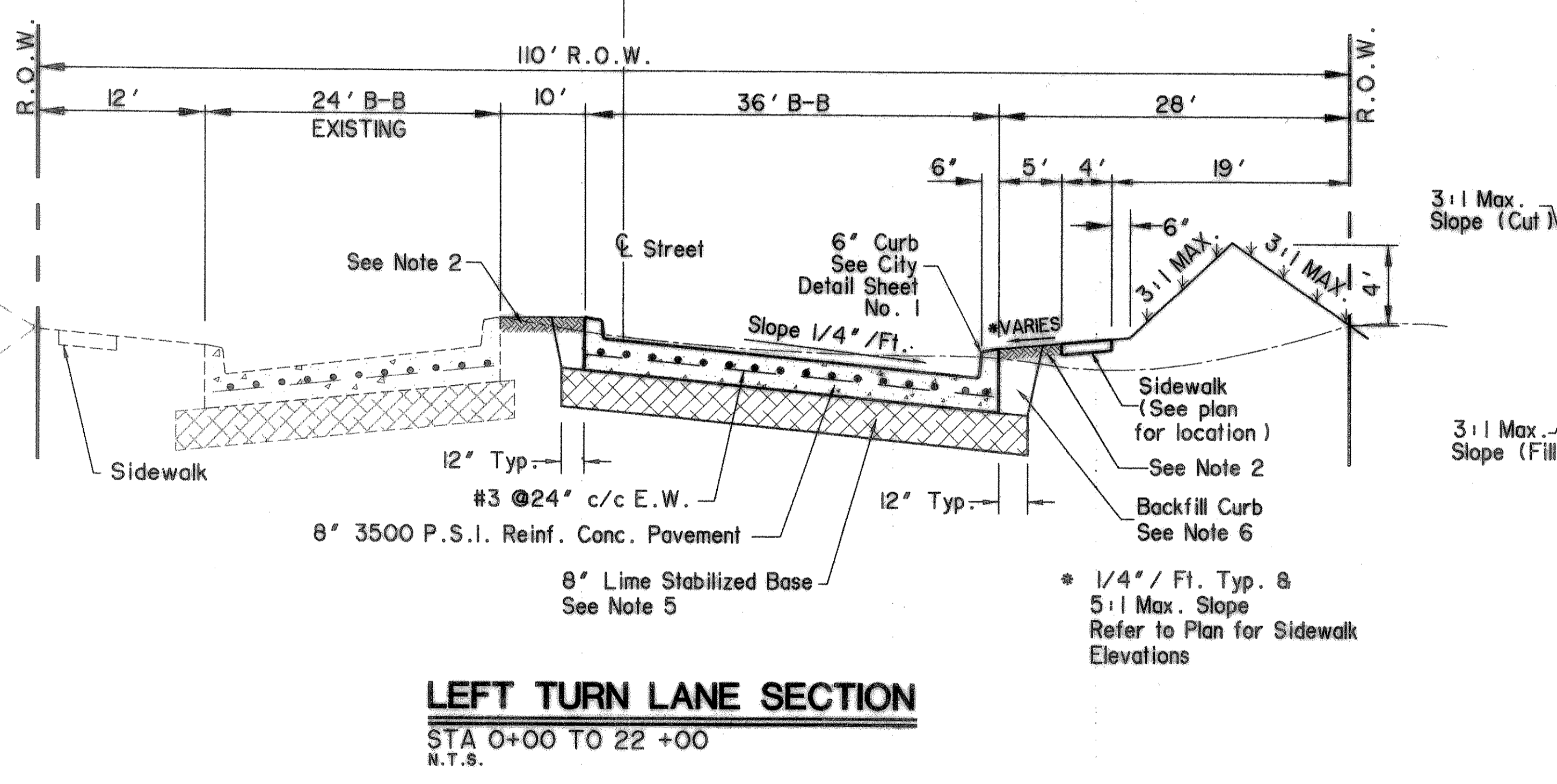
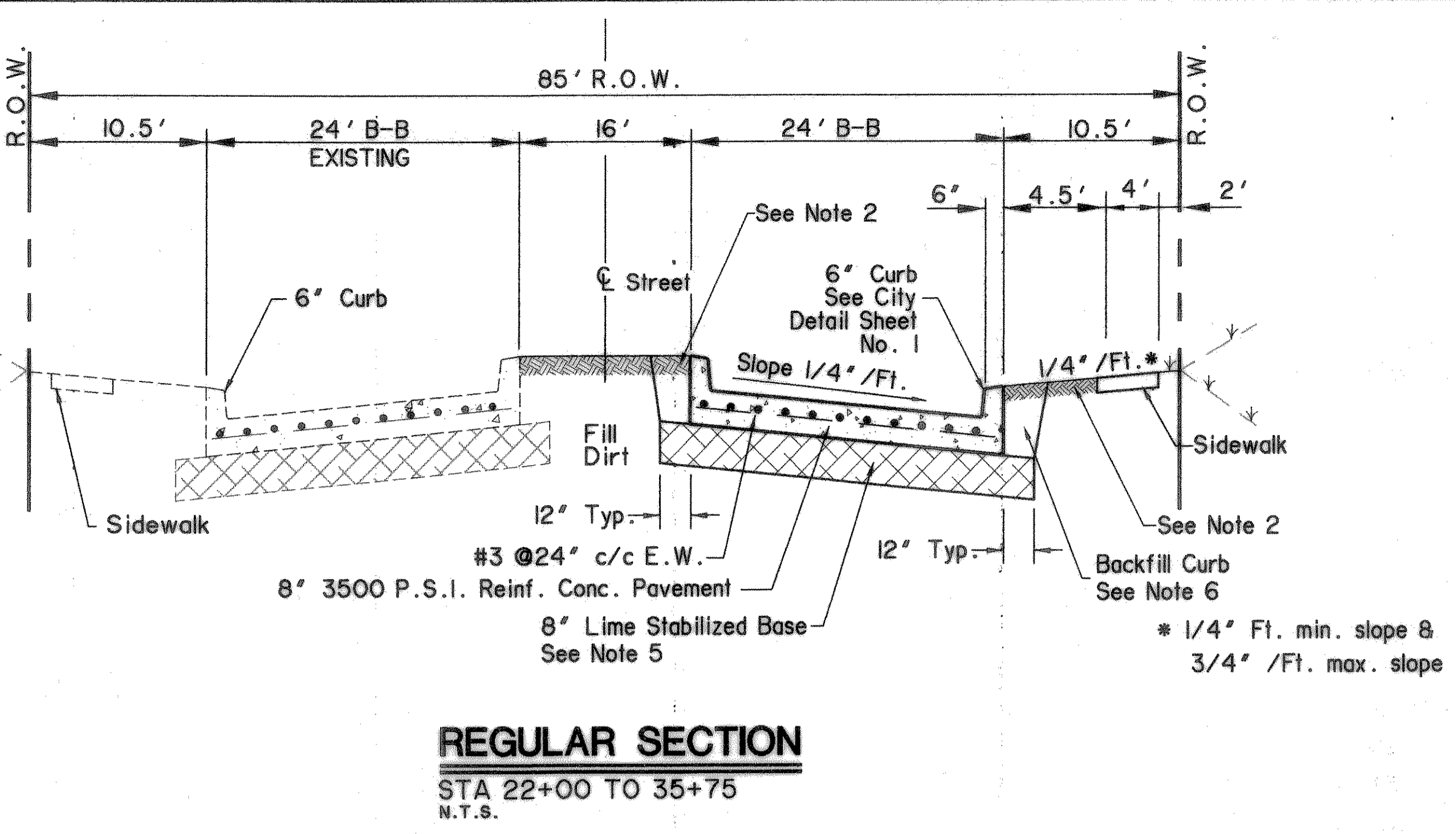
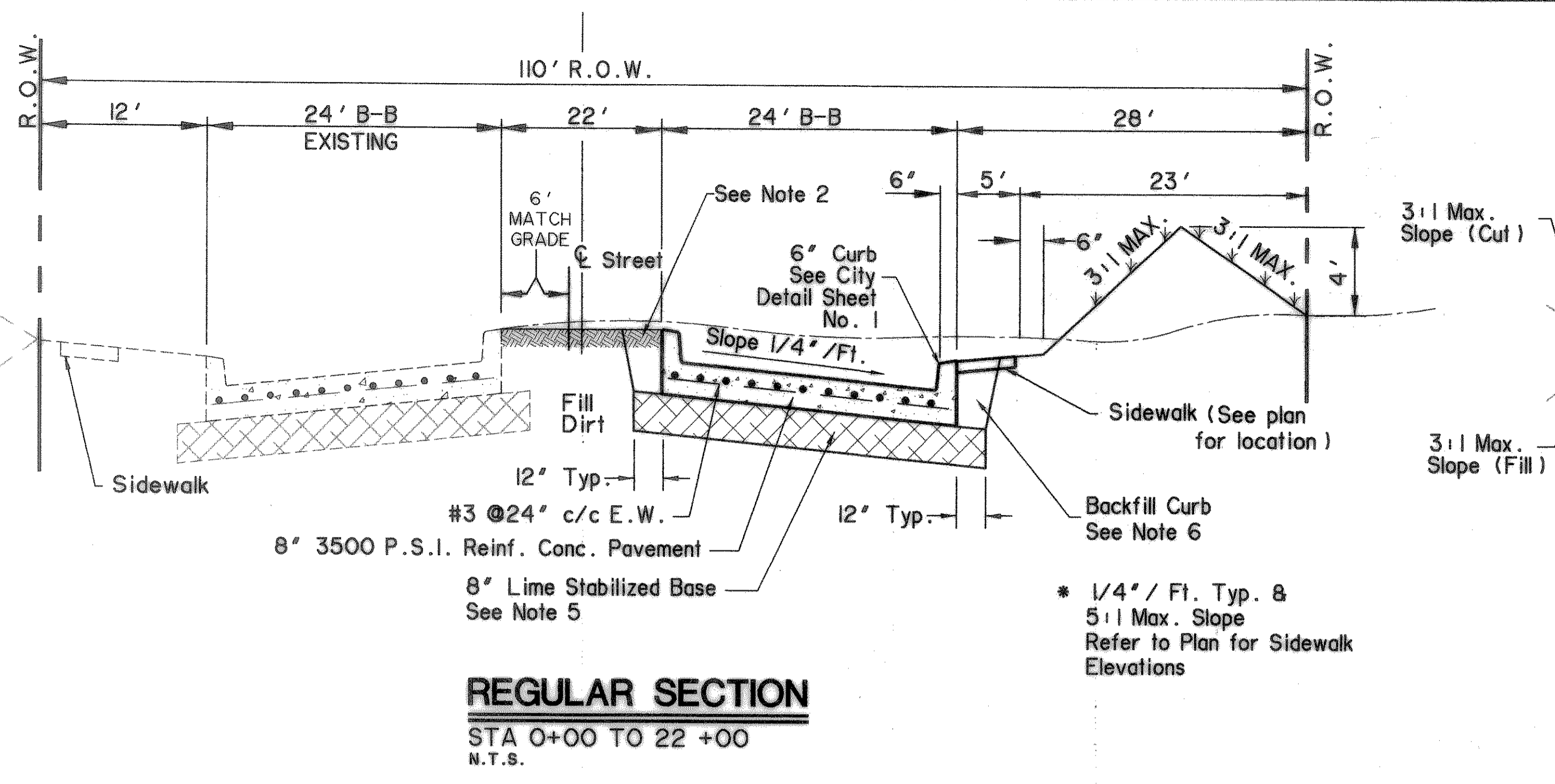


TYPICAL SECTIONS  
 STA 0+00 TO 35+75



COPYRIGHT ©  
 WIER & ASSOCIATES, INC.  
 LAST SHEET EDIT  
 DATE 11-29-99  
 WA# 97057  
**SHEET NO.**  
 2



**NOTES**

- CONSTRUCT PAVEMENT IN ACCORDANCE WITH CITY STANDARD CONSTRUCTION DETAILS EXCEPT AS NOTED HEREON.
- PLACE BERMUDA GRASS SOD IN MEDIANS AND BETWEEN CURB AND SIDEWALK OR TO 5'-6" BACK OF CURB AS PER SPECIFICATIONS.
- IMPORT AND PLACE MINIMUM 4" TOPSOIL ON CUT AND FILL SLOPES. HYDROMULCH SEED WITH BERMUDA GRASS AS PER SPECIFICATIONS.
- COMPACT ALL FILLS TO MINIMUM 95% OF STANDARD PROCTOR DENSITY. FILL COMPACTION SHALL BE PERFORMED WITH A SHEEPSFOOT ROLLER.
- 8" LIME STABILIZED SUBGRADE WITH HYDRATED LIME (41 lbs/S.Y.) AND COMPACTED TO A MINIMUM 95% ASTM D1557 (MODIFIED PROCTOR) DENSITY AT A MOISTURE CONTENT BETWEEN OPTIMUM AND 4% ABOVE OPTIMUM.
- BACKFILL ALL CURBS WITH ON-SITE BROWN CLAY SOILS COMPACTED TO A MINIMUM 95% OF STANDARD PROCTOR DENSITY. TYPICAL ALL ROADWAY AND STREET CURBS THIS PROJECT.

**RECORD PLANS**  
 1-15-02

TIME 17:58  
 FILE: hyspac2a.dwg