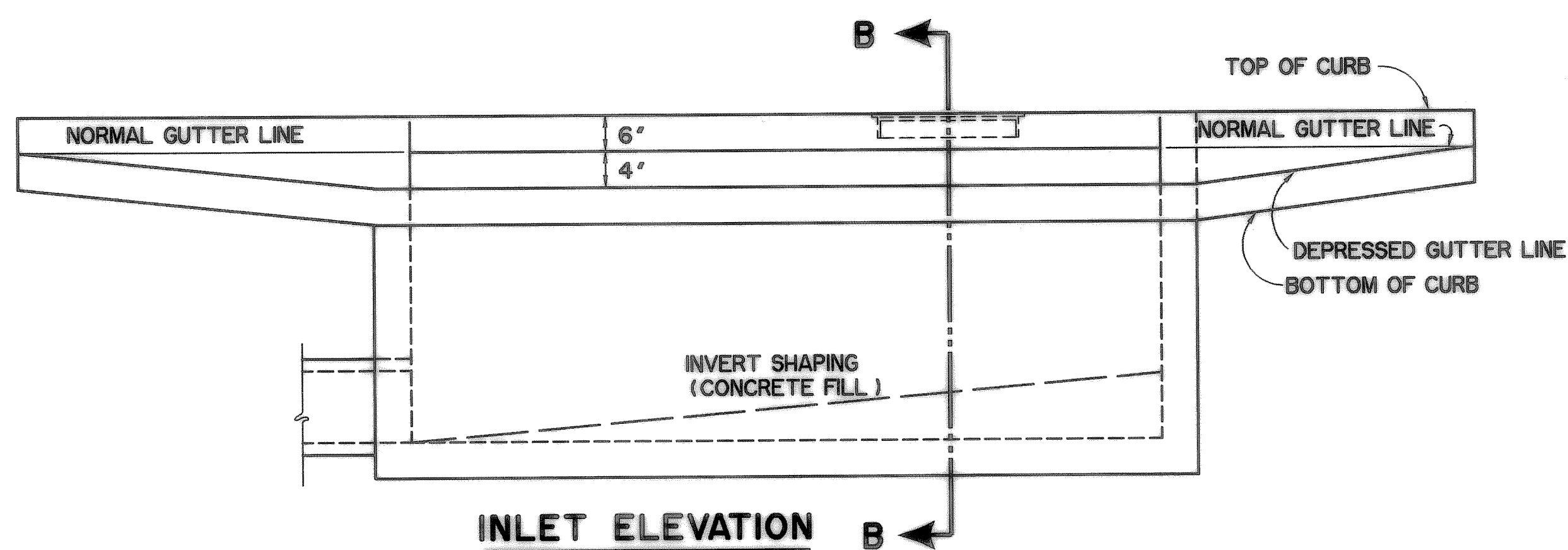
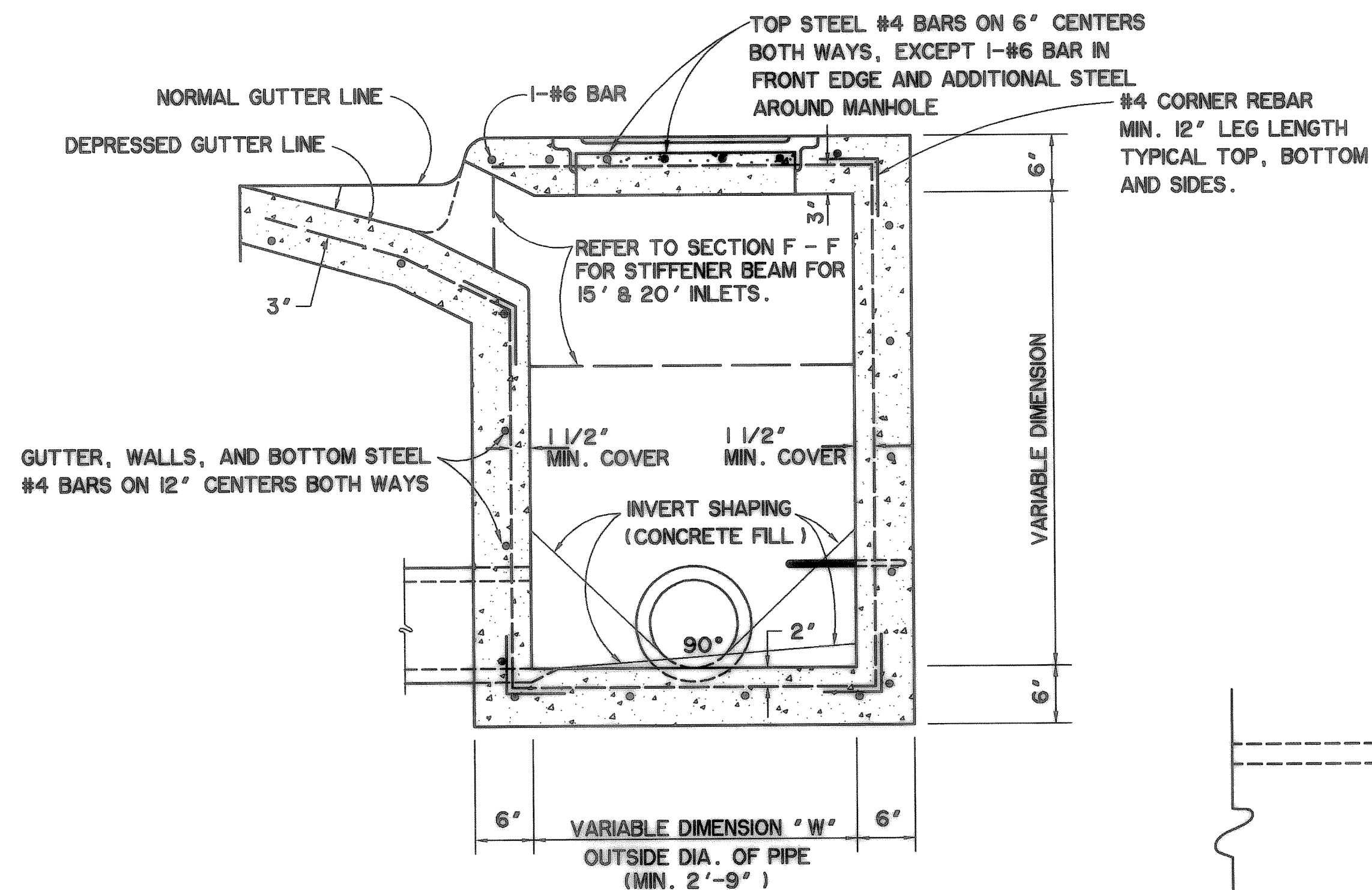


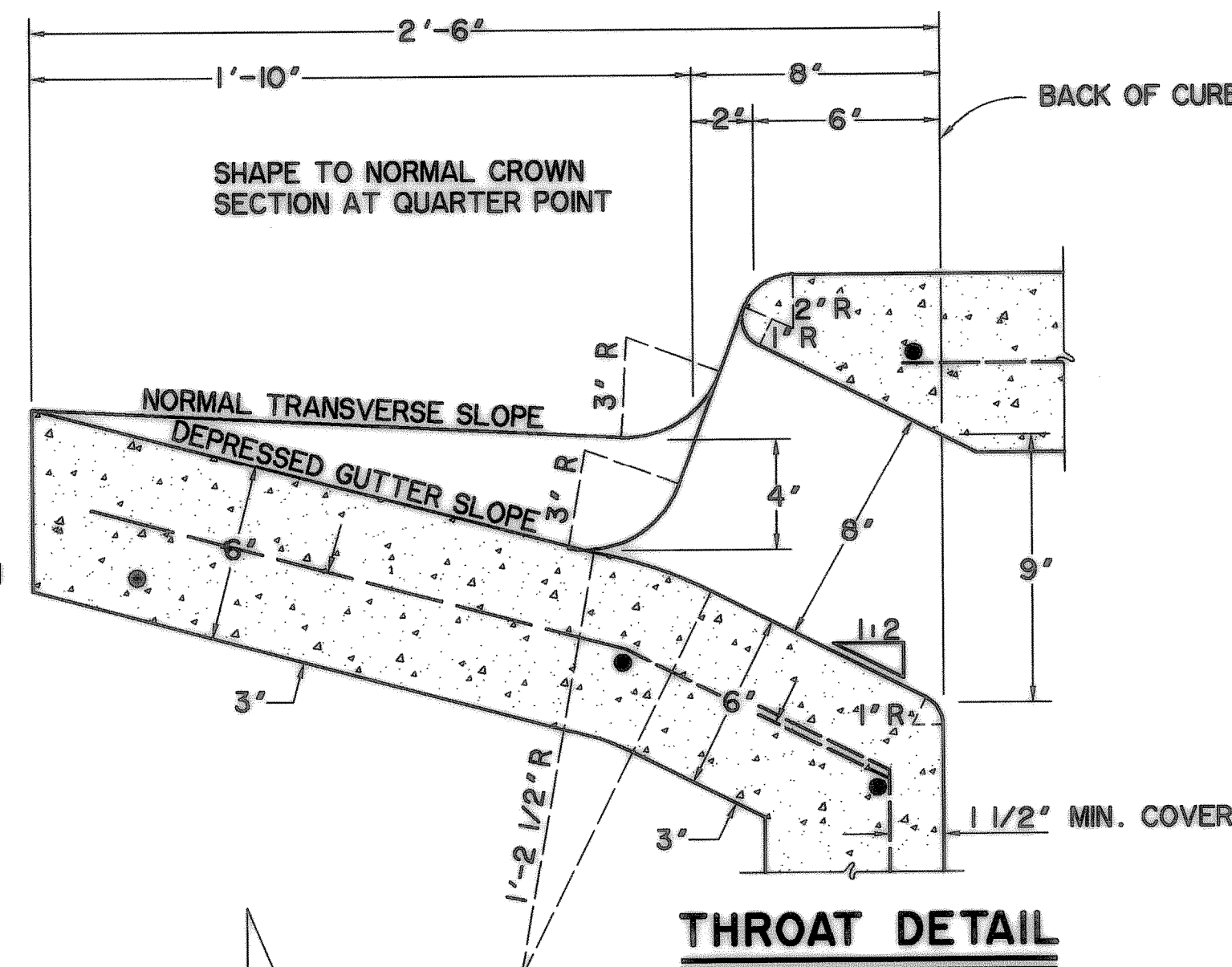
INLET PLAN



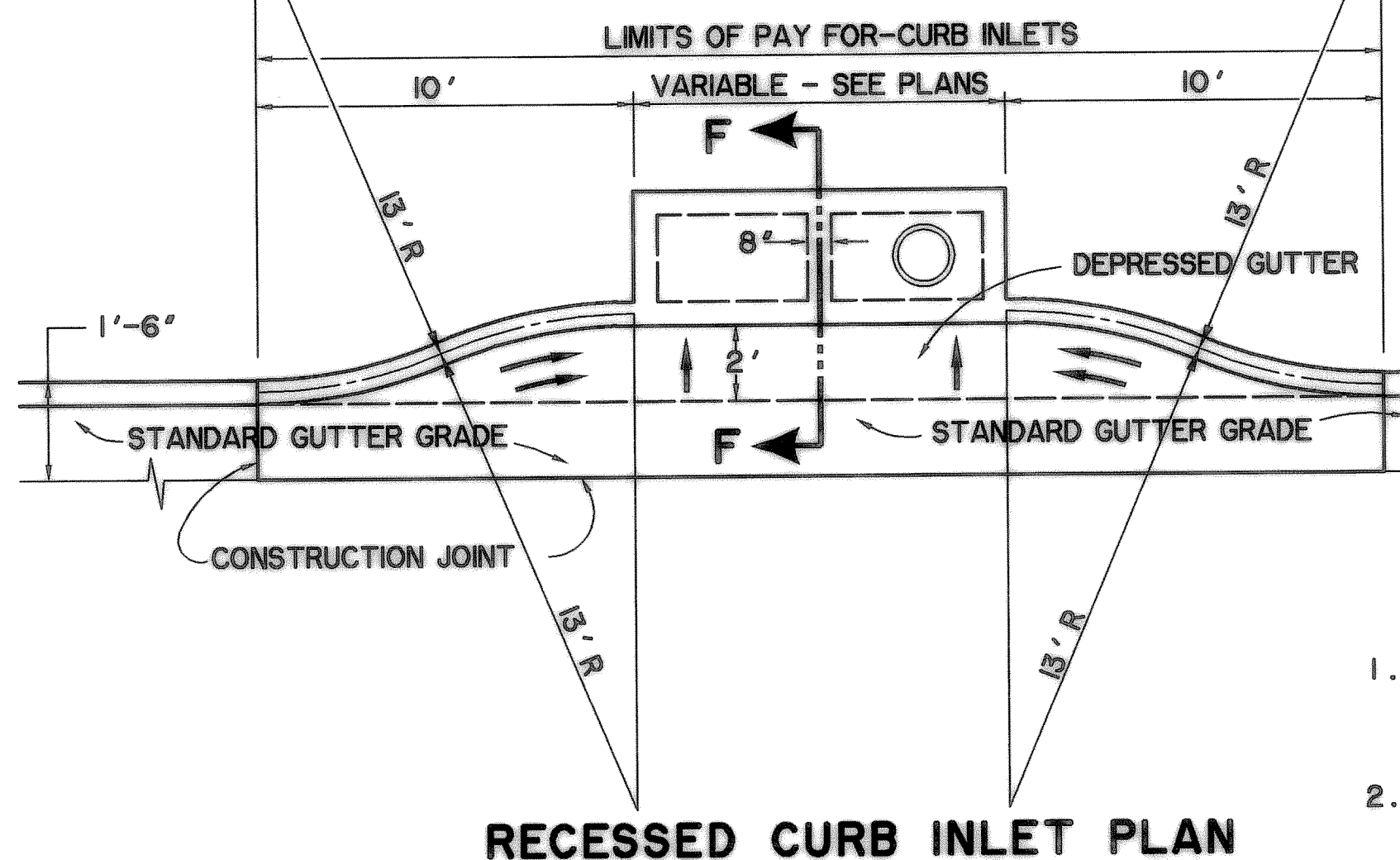
INLET ELEVATION B



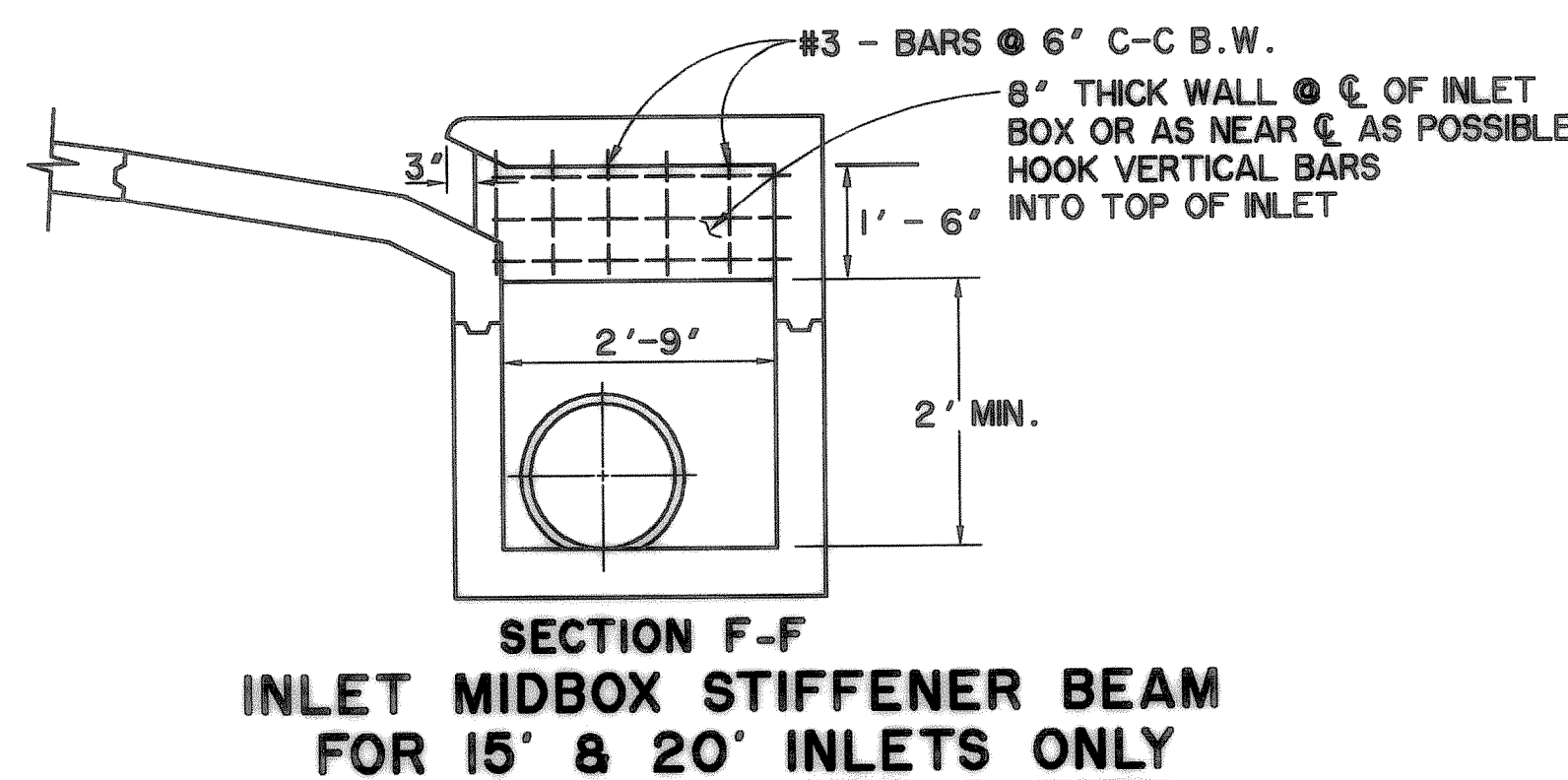
**SECTION B-B
STANDARD CURB INLET DETAIL**



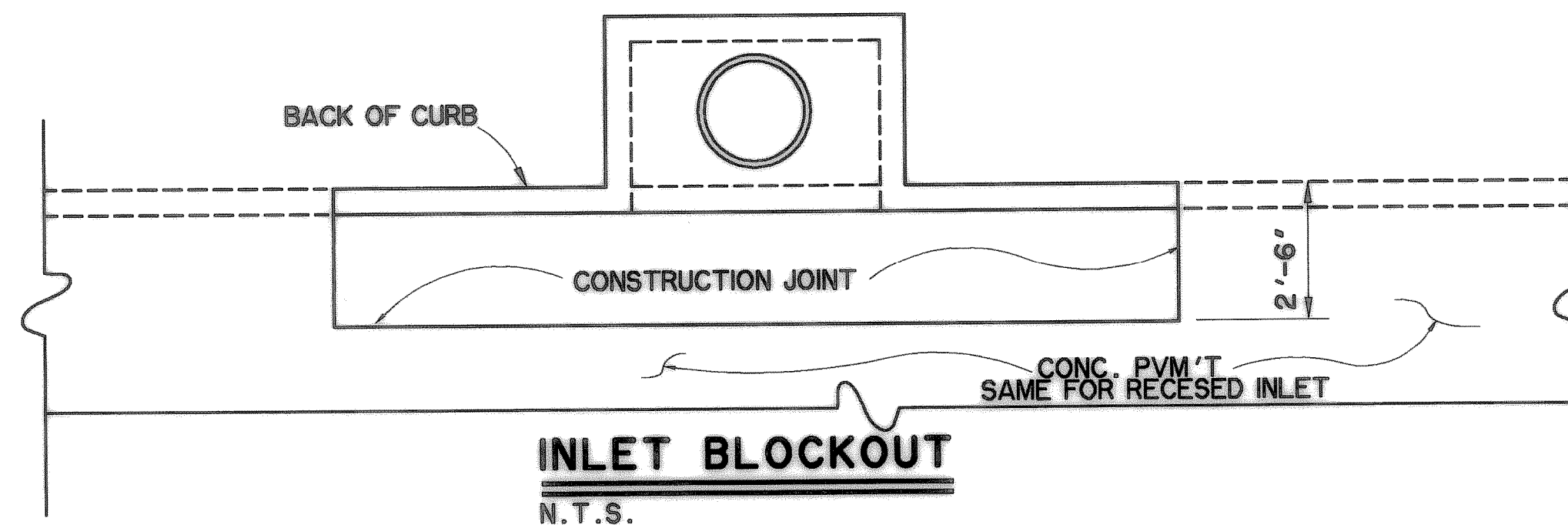
THROAT DETAIL



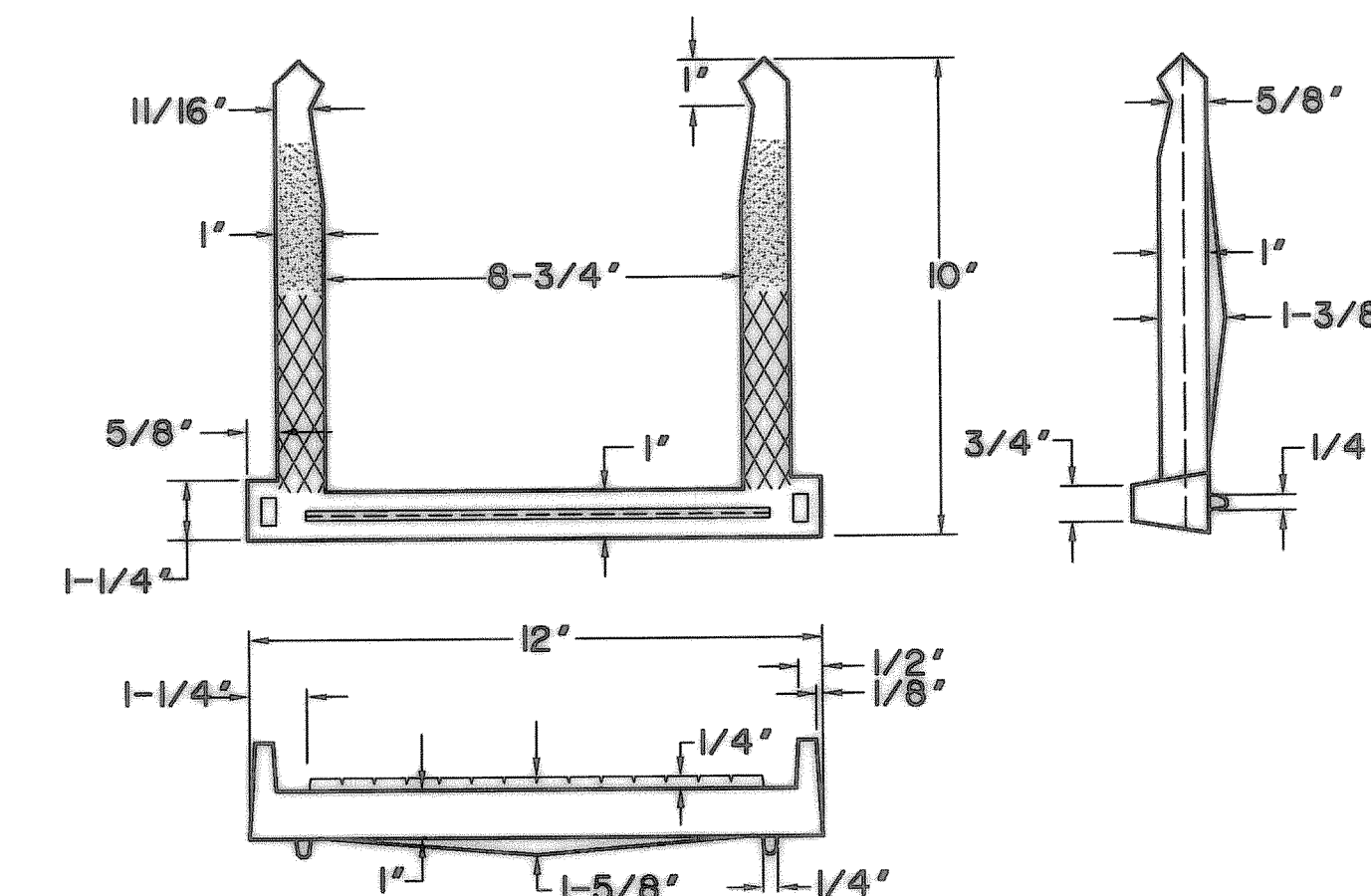
RECESSED CURB INLET PLAN



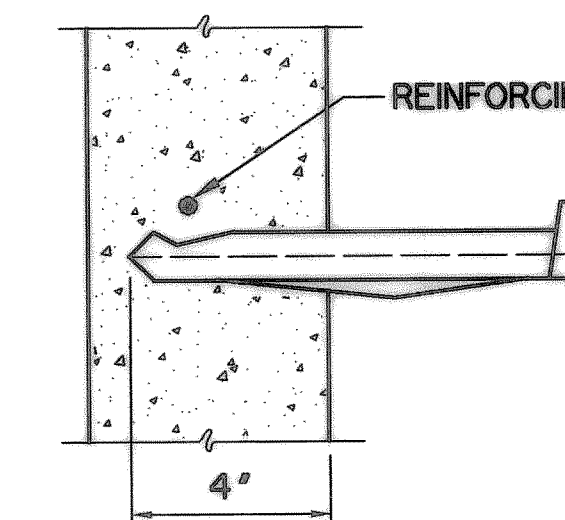
**SECTION F-F
INLET MIDBOX STIFFENER BEAM
FOR 15' & 20' INLETS ONLY**



**INLET BLOCKOUT
N.T.S.**



STEP DETAILS



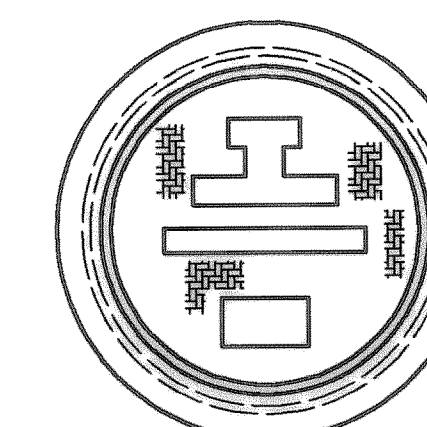
INSTALLATION

- INLET STEP NOTES:**
1. INLET AND STORM DRAIN STEPS SHALL BE AS MANUFACTURED BY M. A. INDUSTRIES, INC. OF PEACHTREE CITY, GA. OR CITY ENGINEER APPROVED EQUAL. STEPS SHALL REQUIRE A STEEL REINFORCING BAR AS SHOWN IN DETAIL.
 2. STEPS SHALL BE PLACED IN ALL INLETS OR STORM VAULTS WHERE THE DIMENSION FROM THE FLOWLINE TO THE TOP OF THE MANHOLE LID MEETS OR EXCEEDS 5'.
 3. STEPS SHALL BE PLACED WITH A MAXIMUM VERTICAL SEPARATION OF 16'.

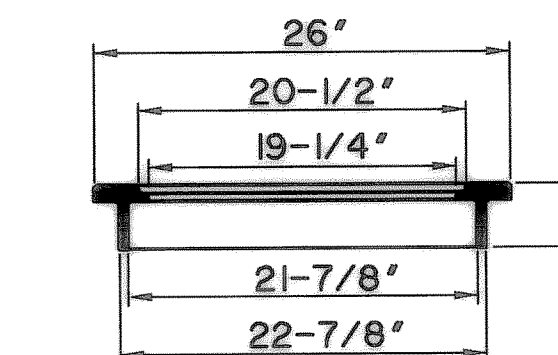
INLET STEP DETAIL

COVER NOTES:

1. COVER IS A STANDARD CAST IRON LID AND RING WITH AN ATTACHED CHAIN EMBEDDED IN CONCRETE.
2. MANHOLE COVER AND FRAME SHALL BE DALLAS FOUNDRY NO. 855-54 OR APPROVED EQUIVALENT, AS APPROVED BY THE CITY ENGINEER. CASTINGS OF FOREIGN MANUFACTURE ARE NOT ACCEPTABLE.



MANHOLE COVER DETAIL



**"RECORD PLANS"
06-25-99**

GENERAL NOTES:

1. ALL CONSTRUCTION MATERIALS, METHODS AND PLACEMENTS NOT DETAILED ABOVE SHALL MEET OR EXCEED THE STANDARD SPECIFICATIONS OF THE NORTH CENTRAL TEXAS COUNCIL OF GOVERNMENTS UNLESS SUPERCEDED BY CITY OF MANSFIELD STANDARD SPECIFICATIONS.
2. ALL CONCRETE SHALL BE CLASS "A" CONTAINING A MINIMUM OF 5 SACKS OF TYPE I CEMENT PER YARD. AGGREGATE SHALL CONSIST OF A MINIMUM OF 50% CRUSHED STONE. ALL CONCRETE PLACED SHALL CONTAIN SUFFICIENT AIR ENTRAINING AGENT TO YIELD 5% ± 1% AIR CONTENT. ALL OTHER ADMIXTURES SHALL REQUIRE THE PERMISSION OF THE ENGINEERING DEPARTMENT.
3. ON CONCRETE STREETS ALL INLETS SHALL BE SEPARATED FROM THE PAVEMENT AND CURB BY BLOCKING OUT AROUND INLET AS SHOWN.
4. ALL REINFORCING STEEL SHALL BE DEFORMED BARS. REINFORCING STEEL SHALL BE PLACED WITH A MINIMUM OF 1-1/2" COVER.
5. WHERE REINFORCING BARS ARE SPLICED, A MINIMUM 30 DIAMETER LAP SHALL BE USED. MANUFACTURED BENDS OR FACTORY MADE "L" BARS SHALL BE USED IN ALL CORNERS, AND SHALL BE LONG ENOUGH TO PERMIT A MINIMUM OF A 30 DIAMETER SPLICE.

REVISIONS	ITEM	DATE	BY
5			
4			
3			
2			
1			

**STORM DRAIN
CURB INLET DETAILS**

CITY OF ROCKWALL

ENGINEERING DEPARTMENT

DATE:	SHEET NO.
NOV., 1997	SD-10