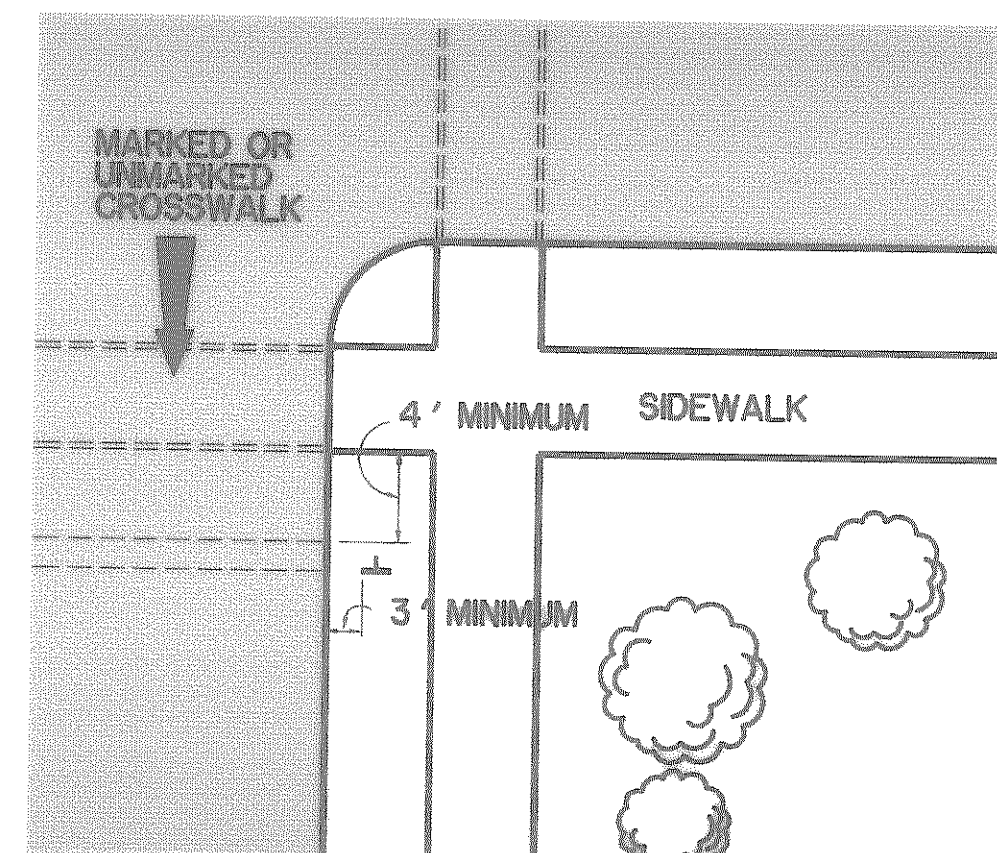
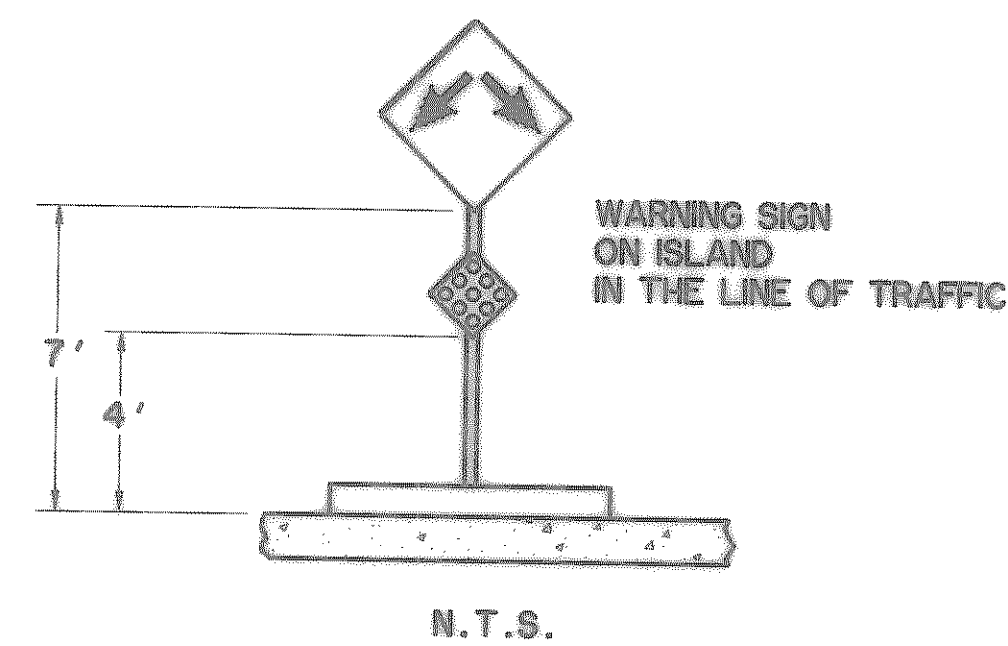
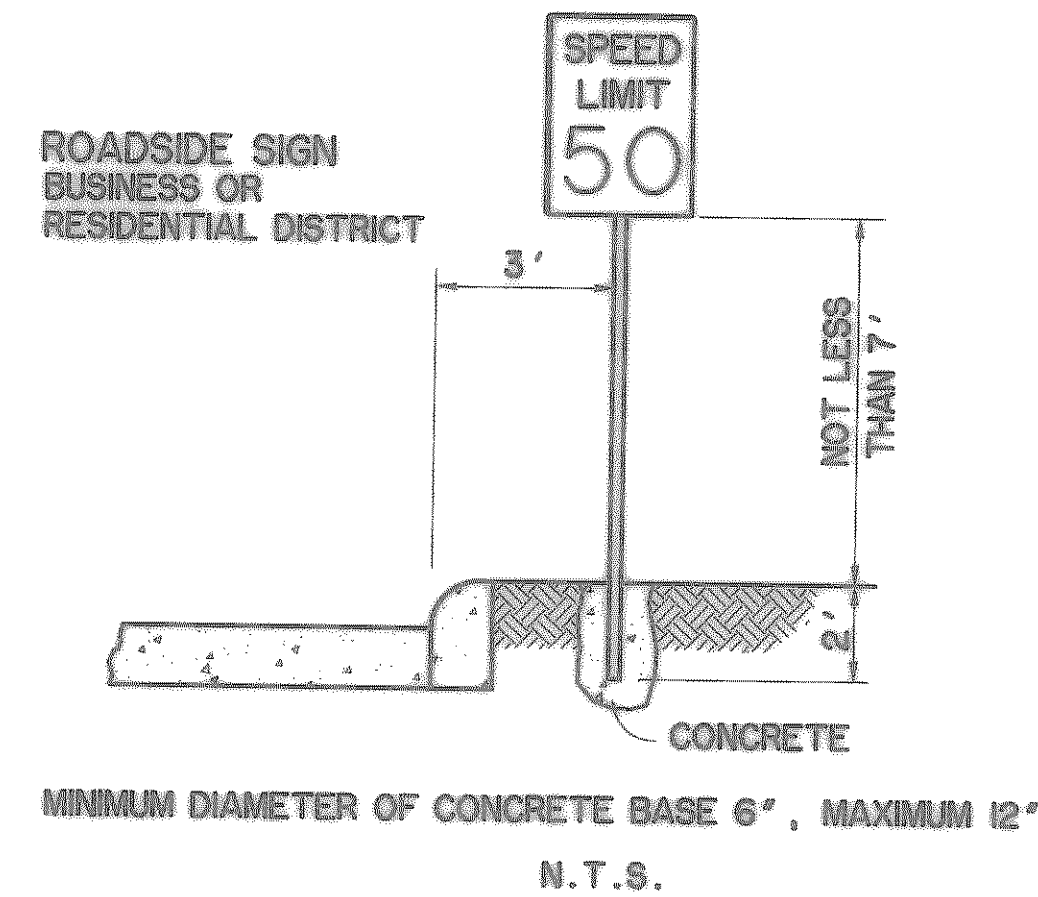
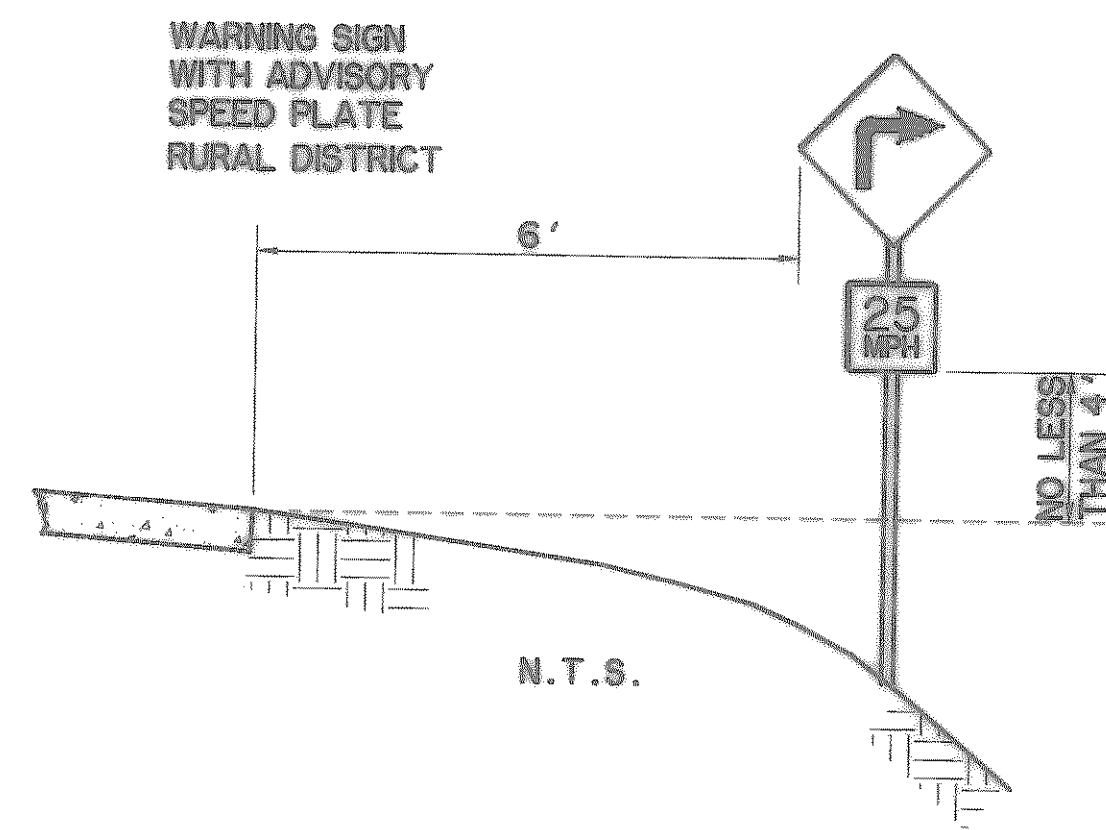


STREET SIGN PLACEMENT
N.T.S.

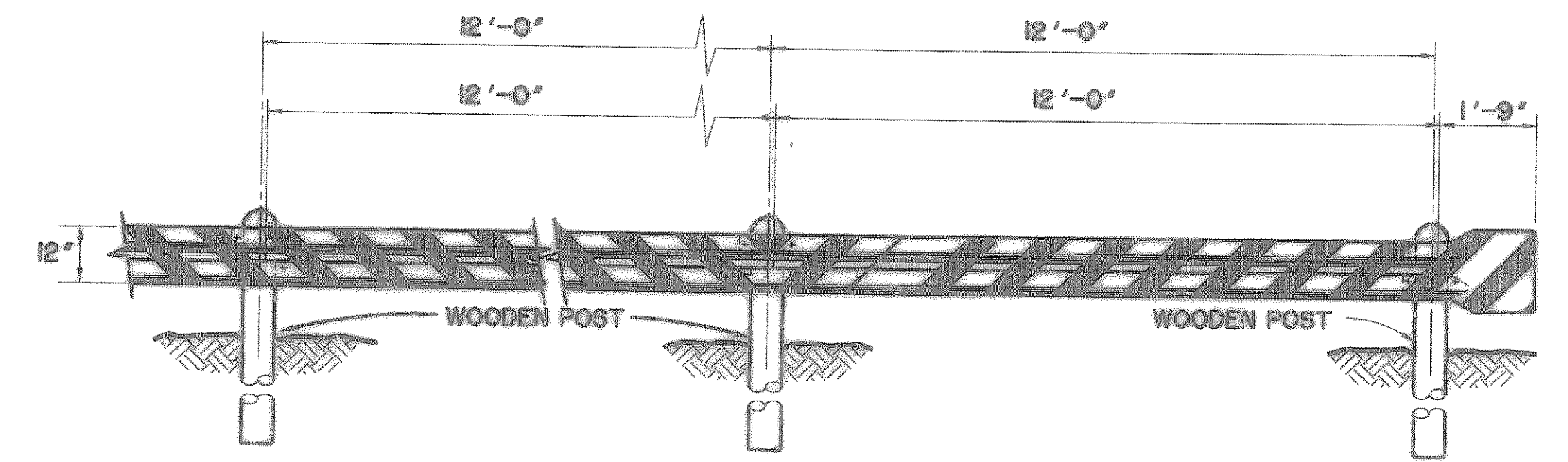


STREET SIGN PLACEMENT
N.T.S.

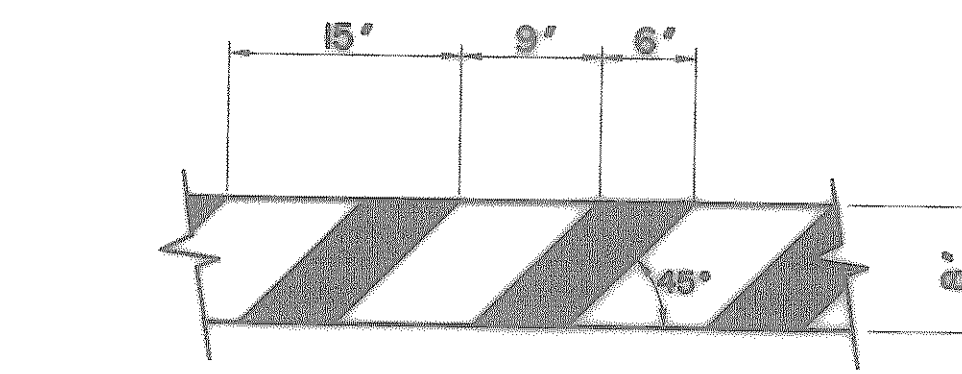


GENERAL STREET SIGN REQUIREMENTS.

- THE STOCK NUMBERS LISTED FOR SIGNS ARE AVAILABLE FROM SARGENT-SOWEL INC. (SASO) IN GRAND PRAIRIE, TEXAS AND UNLESS OTHERWISE SPECIFIED, ANY SUBSTITUTIONS SHALL BE APPROVED BY THE ENGINEERING DEPARTMENT PRIOR TO INSTALLATION.
- ALL SIGNS SHALL BE OF ALUMINUM SHEET WITH REFLECTORIZED SHEETING AND REFLECTORIZED LETTERS.
 - STOP SIGNS: SASO #09-398 30"x30" STANDARD SIZE
 - OTHER SIGNS: 'YIELD', SASO #09-512, 30"x30"x30" SPEED LIMIT 30, SASO #01-312, 24"x30" 4 WAY STOP, SASO #09E418, 12"x6" 3 WAY STOP, SASO #09E419, 12"x6" NO PARKING, SASO #01E539, 18"x24" DEAD END/NO OUTLET, SASO #01E070/09E121, 30" x 30"
- THE STREET SIGN SHALL BE A GREEN BACKGROUND WITH WHITE REFLECTORIZED LETTERS. THE LETTERS SHALL BE 4" HIGH FOR THE STREET NAME, AND 2" HIGH FOR ALL OTHER LETTERS. THE LENGTH OF THE SIGN SHALL BE APPROPRIATE FOR THE STREET NAME. EACH STREET SIGN SHALL HAVE THE APPROPRIATE HUNDRED BLOCK FOR ITS LOCATION. ALL LETTERS SHALL BE CAPITAL LETTERS.
 - POSTS: ALL POSTS SHALL BE OF GALVANIZED STEEL TUBING 12' LONG x 2-3/8" DIA. WITH A WALL THICKNESS OF .080 INCHES SASO #03-099, ALSO AVAILABLE AT ANY LOCAL FENCE SUPPLY COMPANY.
 - TEE'S: 90 DEGREE BRACKETS, SASO #45E683 45 DEGREE BRACKETS, SASO #45E684
 - POST CAP: SASO #45E682
 - ALUMINUM SIGN CLAMPS: SASO #03E154
- LOCATIONS FOR SIGNS SHALL BE ASSIGNED BY THE CITY OF MANSFIELD ENGINEERING DEPARTMENT AND SHALL BE PLACED IN THE FIELD AS DIAGRAMMED AND/OR SHALL MEET OR EXCEED THE REQUIREMENTS GIVEN IN THE TEXAS MANUAL ON UNIFORM TRAFFIC CONTROL DEVICES, 1990 ED. WITH ADDENDUMS.

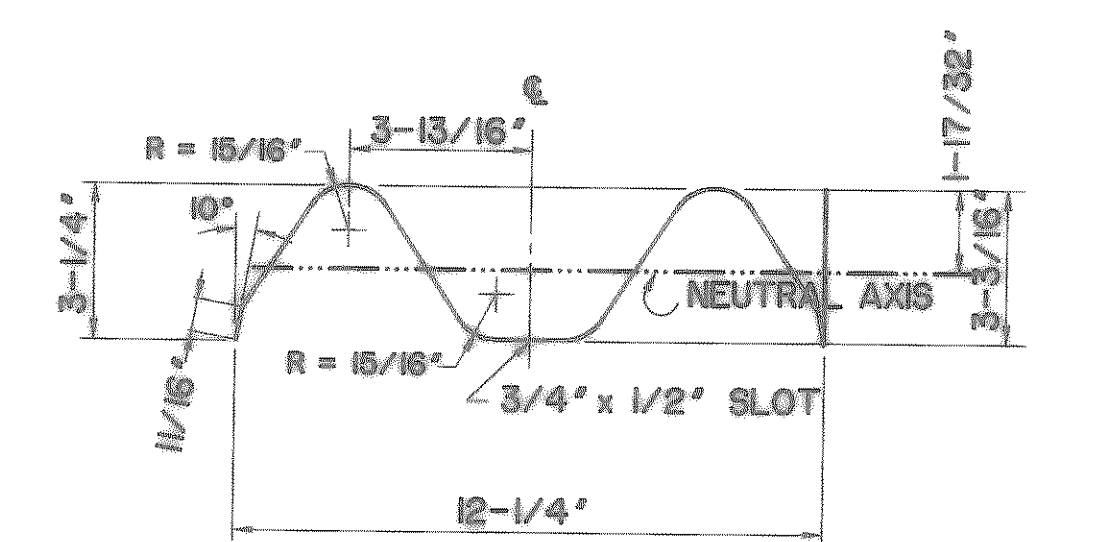


ELEVATION

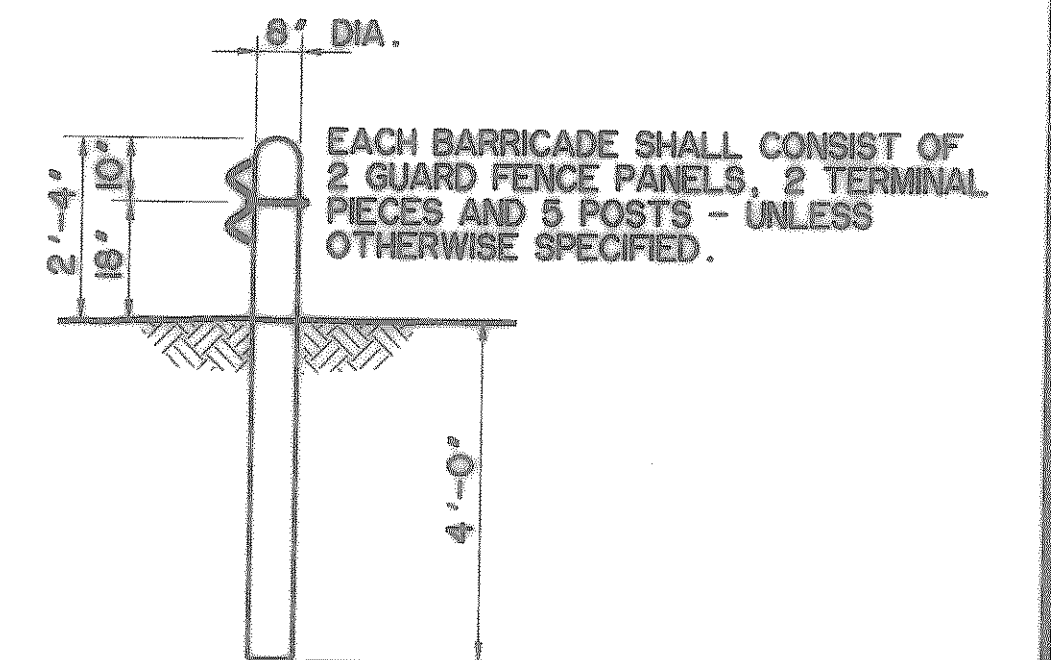
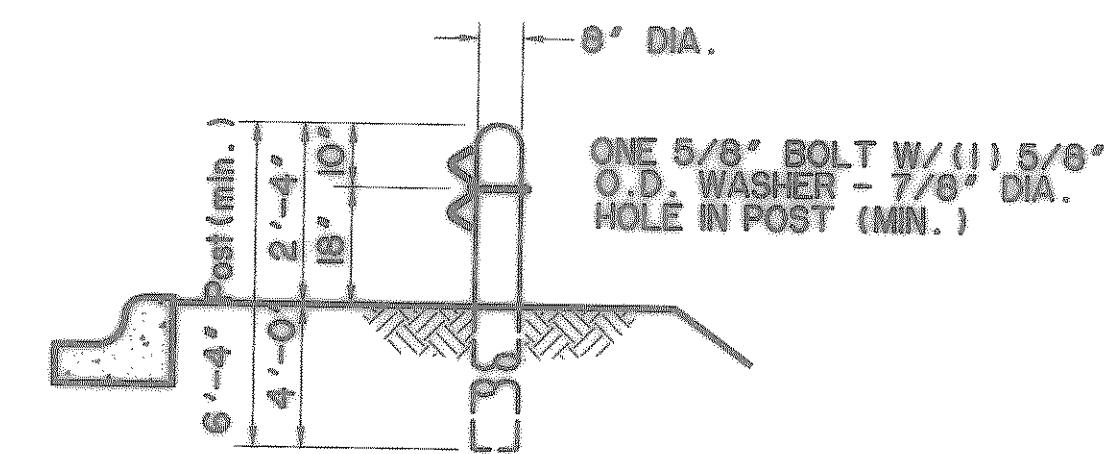


NOTE: DIAGONAL RED REFLECTIVE TAPE SHALL BE APPLIED ON THE FACE OF ALL GUARD PANELS (THE FULL FACE OF THE PANEL SHALL BE COVERED).

TAPE DETAIL



METAL BEAM DETAIL



PERMANENT BARRICADE DETAILS

NOTES FOR PERMANENT TYPE BARRICADE.

- ALL CONSTRUCTION MATERIALS, METHODS AND PLACEMENT NOT DETAILED ABOVE SHALL MEET OR EXCEED THE STANDARD SPECIFICATIONS OF THE NORTH CENTRAL TEXAS COUNCIL OF GOVERNMENT UNLESS SUPERCEDED BY CITY OF MANSFIELD STANDARD SPECIFICATIONS.
- ALL INSTALLATION SHALL BE OF NEW MATERIALS. METAL FLEX-BEAM GUARDRAIL SHALL BE 10 GAUGE, GALVANIZED AS PER ASTM A 93. SUBSTITUTIONS OF ANY ITEM SHALL BE APPROVED BY THE ENGINEERING DEPARTMENT PRIOR TO INSTALLATION.
- ALL POSTS SHALL BE GALVANIZED TREATED FOR GROUND CONTACT. SQUARE 6"x6" POSTS (ALSO TREATED) MAY BE SUBSTITUTED, PROVIDED THE TOP OF EACH POST IS BEVELED A MINIMUM OF 10°.
- ALL BOLTS, WASHERS, OR HARDWARE SHALL BE GALVANIZED TREATED TO RESIST RUST. BOLTS SHALL BE OF SUFFICIENT LENGTH TO EXTEND THROUGH THE FULL THICKNESS OF THE NUT.
- POSTS SHALL NOT BE CONCRETED IN PLACE, BUT SHALL INSTEAD BE BACKFILLED WITH WELL-TAMPED SOIL.
- STRIPING - BARRICADES SHOULD HAVE STRIPE SLOPE DOWNWARD IN THE DIRECTION TOWARD WHICH TRAFFIC MUST TURN IN DETOURING. WHEN BOTH RIGHT AND LEFT TURNS ARE PROVIDED FOR, OR THERE IS NO TURN PROVIDED FOR, THE CHEVRON STRIPING MAY SLOPE DOWNWARD IN BOTH DIRECTIONS FROM THE CENTER OF BARRICADE.

5			
4			
3			
2			
1			
		ITEM	DATE BY
PAVING - STREET SIGN & BARRICADE DETAILS			
CITY OF ROCKWALL			
ENGINEERING DEPARTMENT			
		DATE:	SHEET NO.
		NOV., 1997	SD-8

"RECORD PLANS"
06-25-99