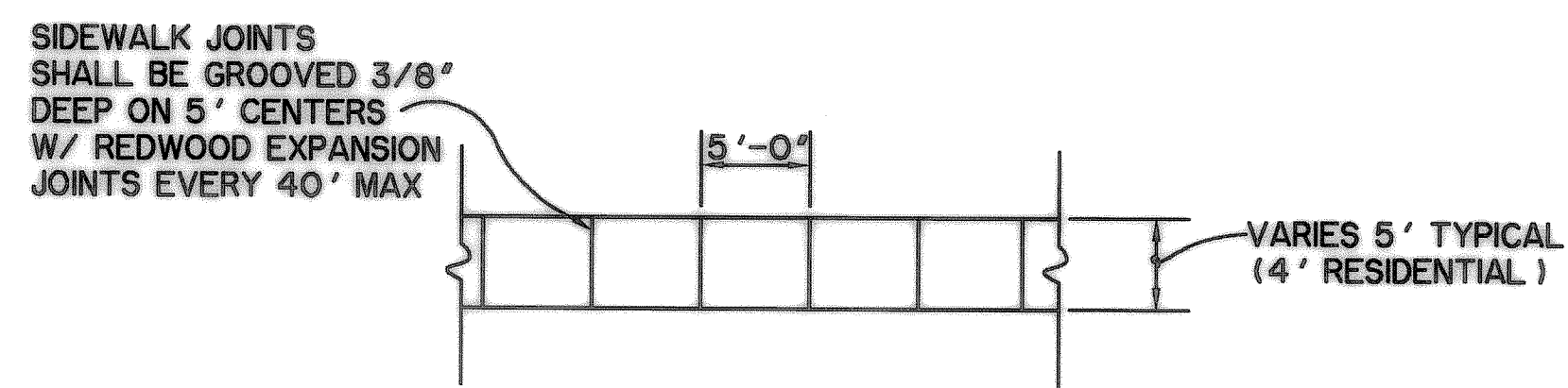


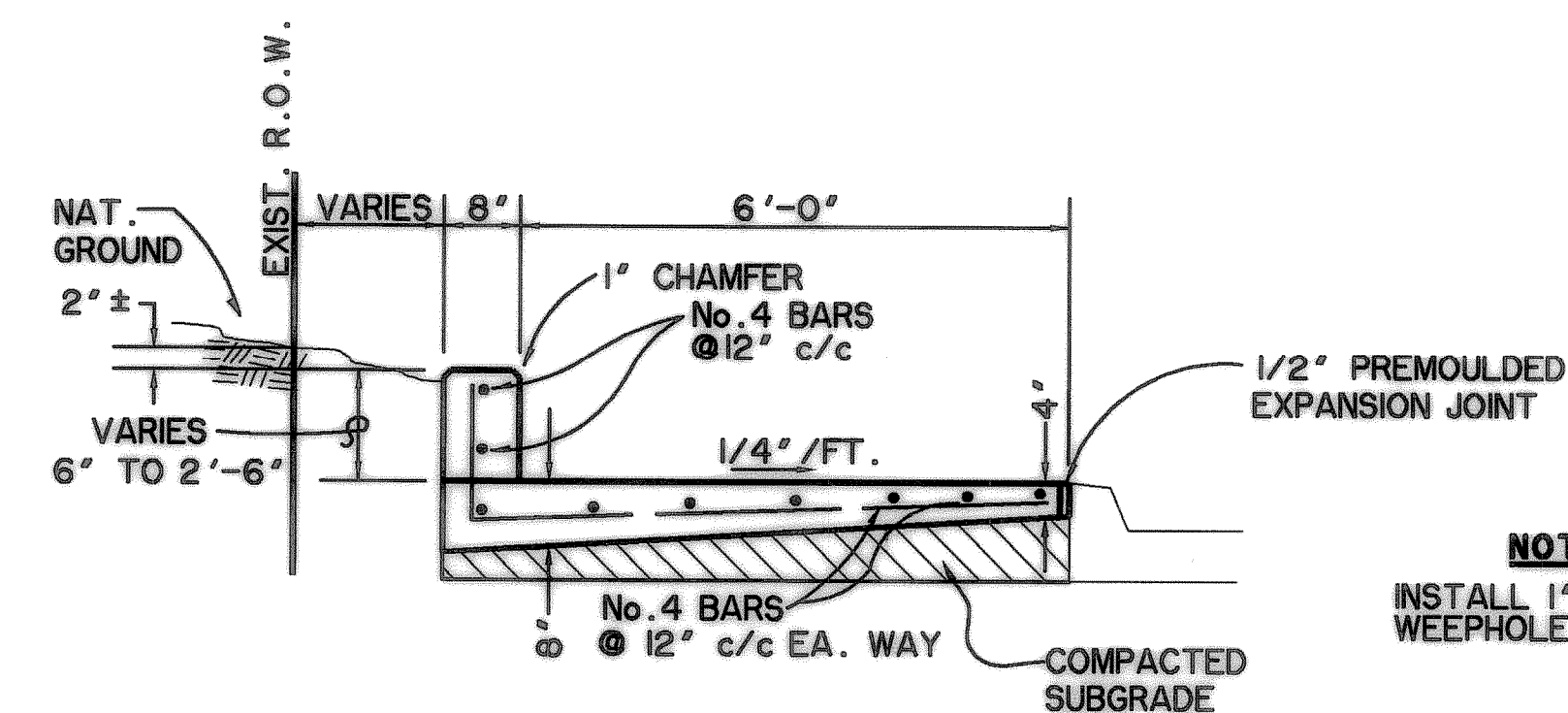
**SIDEWALK WITH CURB AND TOWALL**

N.T.S.



**CONCRETE SIDEWALK - PLAN**

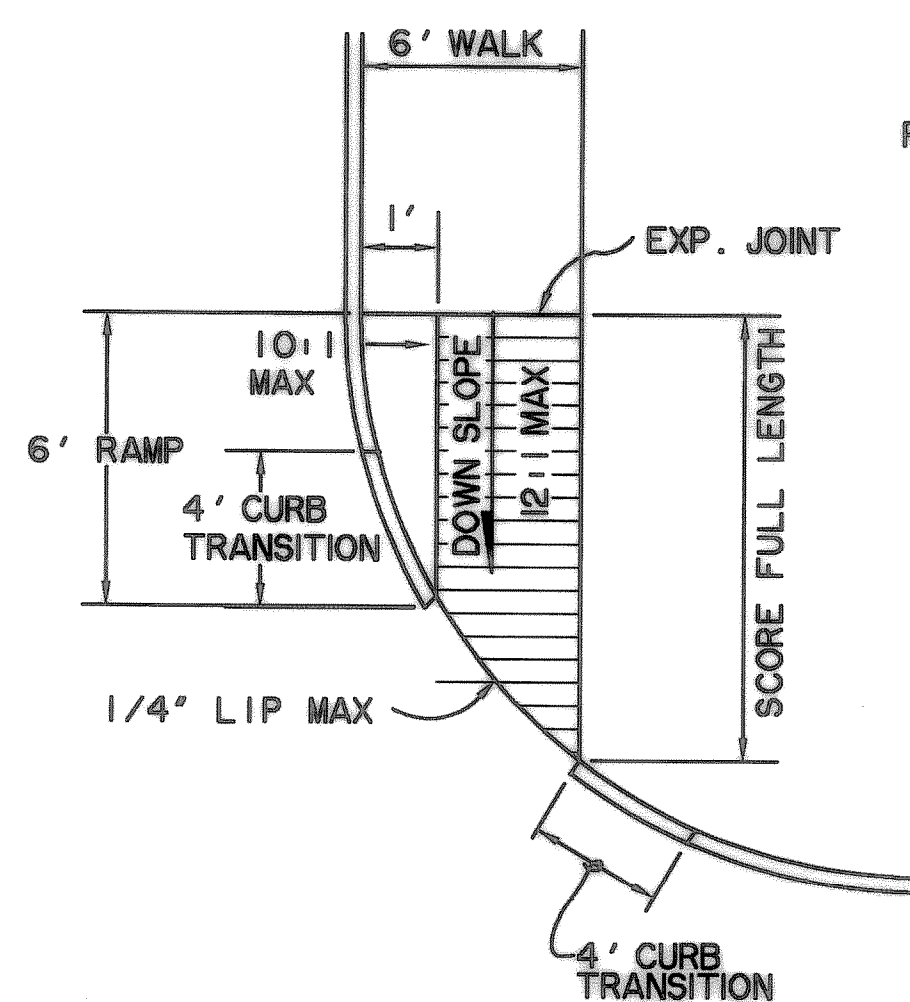
N.T.S.



**SIDEWALK WITH RETAINING WALL**

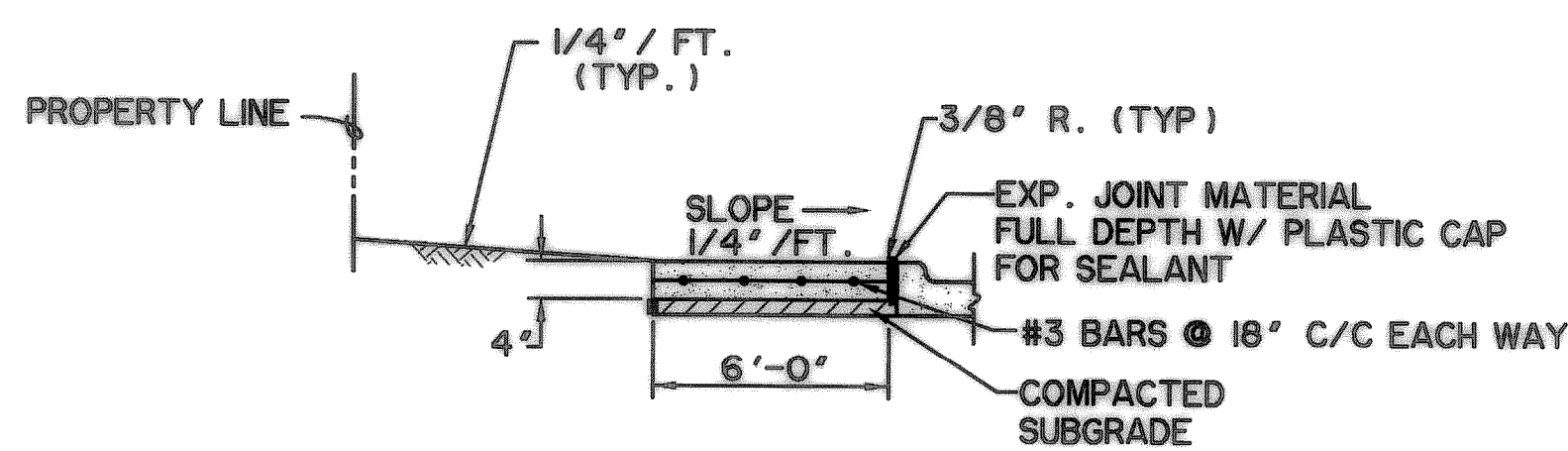
N.T.S.

**NOTE:**  
INSTALL 1" DIA. PVC  
WEEPHOLE @ 10'-0" C/C.



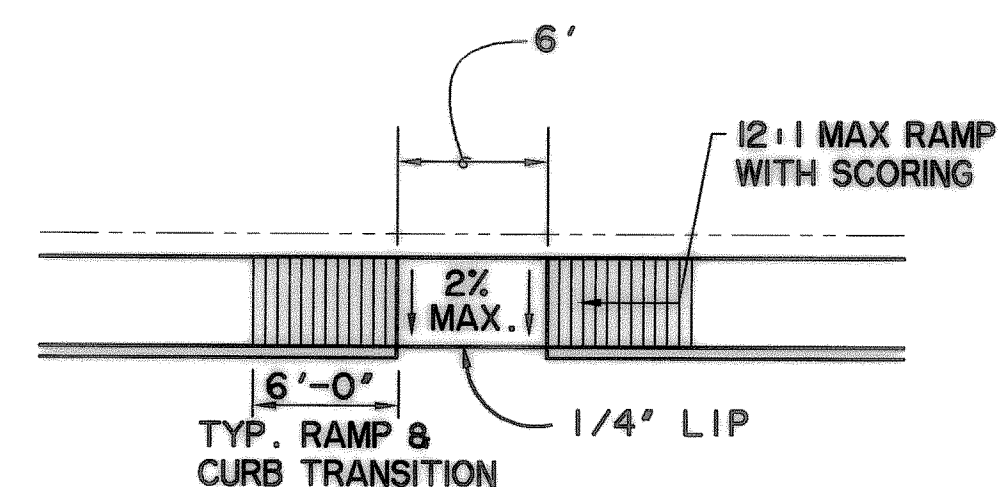
**CURB RAMP 6' WALK-SINGLE  
ABUTTING CURB**

N.T.S.



**SIDEWALK ABUTTING CURB SECTION**

N.T.S.



**MID-BLOCK RAMP FOR WALK ABUTTING CURB**

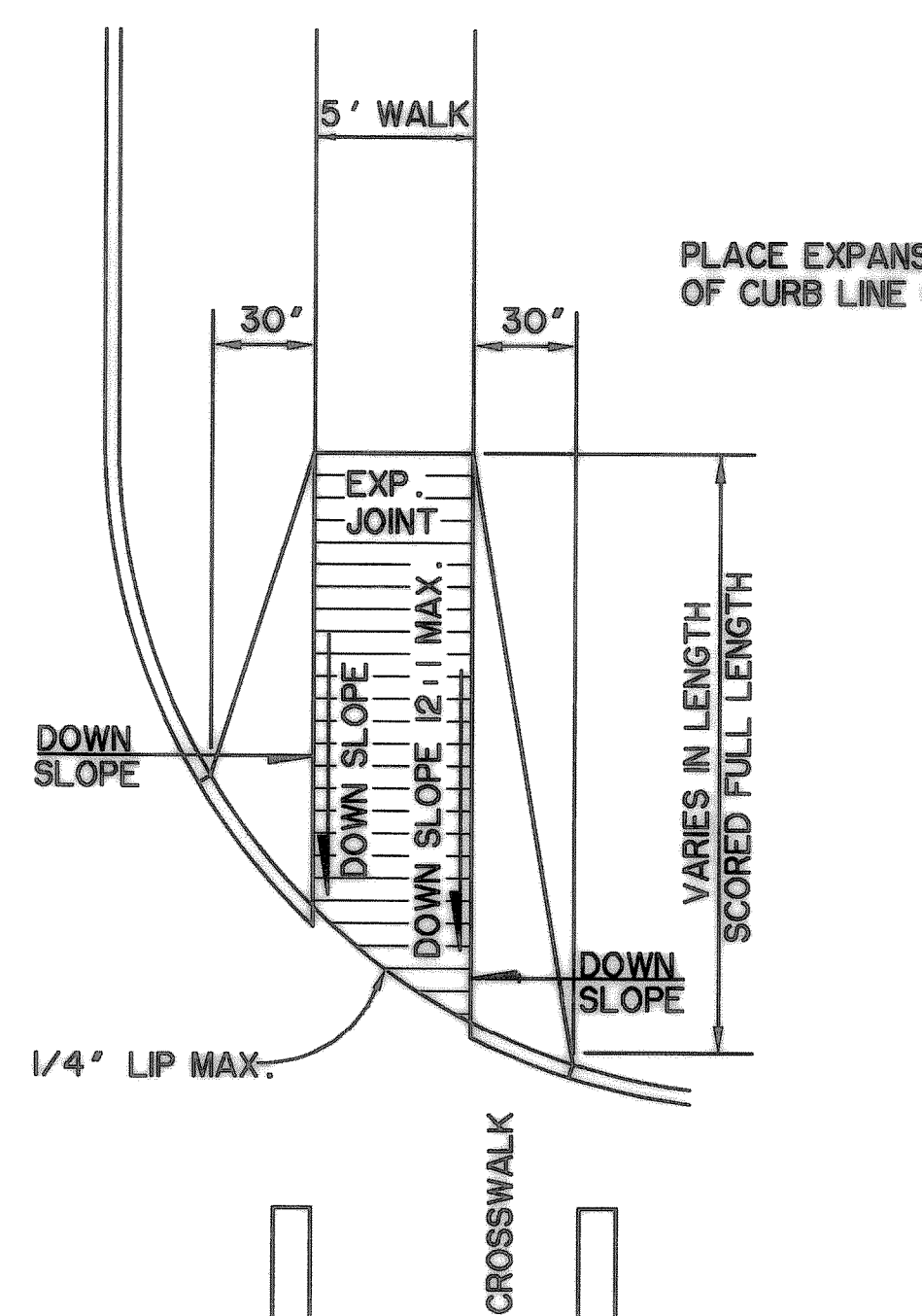
N.T.S.

**SIDEWALK  
GENERAL NOTES:**

1. ALL CONSTRUCTION MATERIALS, METHODS AND PLACEMENT NOT DETAILED BELOW SHALL MEET OR EXCEED THE STANDARD SPECIFICATIONS OF THE NORTH CENTRAL TEXAS COUNCIL OF GOVERNMENTS UNLESS SUPERCEDED BY CITY OF MANSFIELD STANDARD SPECIFICATIONS.
2. REINFORCED CONCRETE SIDEWALK SHALL BE A MINIMUM 5 FEET (4'-0" RESIDENTIAL) WIDE, A MINIMUM OF 4 INCHES THICK AND SHALL BE CLASS "A" CONTAINING A MINIMUM OF 5 SACKS OF TYPE I CEMENT PER YARD. AGGREGATE SHALL CONSIST OF A MINIMUM OF 50% CRUSHED STONE. ALL CONCRETE PLACED SHALL CONTAIN SUFFICIENT AIR ENTRAINING AGENT TO YIELD 5% ± 1% AIR CONTENT.
3. CHAMFER ALL EXPOSED EDGES OF CONCRETE 3/8 INCH.
4. ALL REINFORCING STEEL SHALL DEFORMED BARS CONFORMING TO ASTM A-615 GRADE 60. REINFORCING STEEL SHALL BE PLACED WITH A MINIMUM OF 1-1/2" OF COVER FOR #5 BARS OR SMALLER. WHERE REINFORCING BARS ARE SPLICED, A 30 DIAMETER LAP SHALL BE USED.
5. SUBGRADE SHALL CONSIST OF NATIVE SOIL COMPACTED TO A DENSITY NOT LESS THAN 95% ASTM D698 OPTIMUM MOISTURE CONTENT OR ABOVE.
6. SIDEWALKS SHALL BE FINISHED BY LIGHTLY BROOMING SURFACE TRANSVERSELY TO DIRECTION OF MAIN TRAFFIC OR WHERE ADJACENT SIDEWALKS DIFFER FROM THIS STANDARD, NEW SIDEWALKS SHALL CONFORM TO ADJACENT SIDEWALK (E.G. EXPOSED AGGREGATE).
7. AN APPROVED WHITE PIGMENTED CURING COMPOUND SHALL BE APPLIED TO THE SURFACE OF THE PAVEMENT AS SOON AS IT HAS BEEN PLACED AND FINISHED.

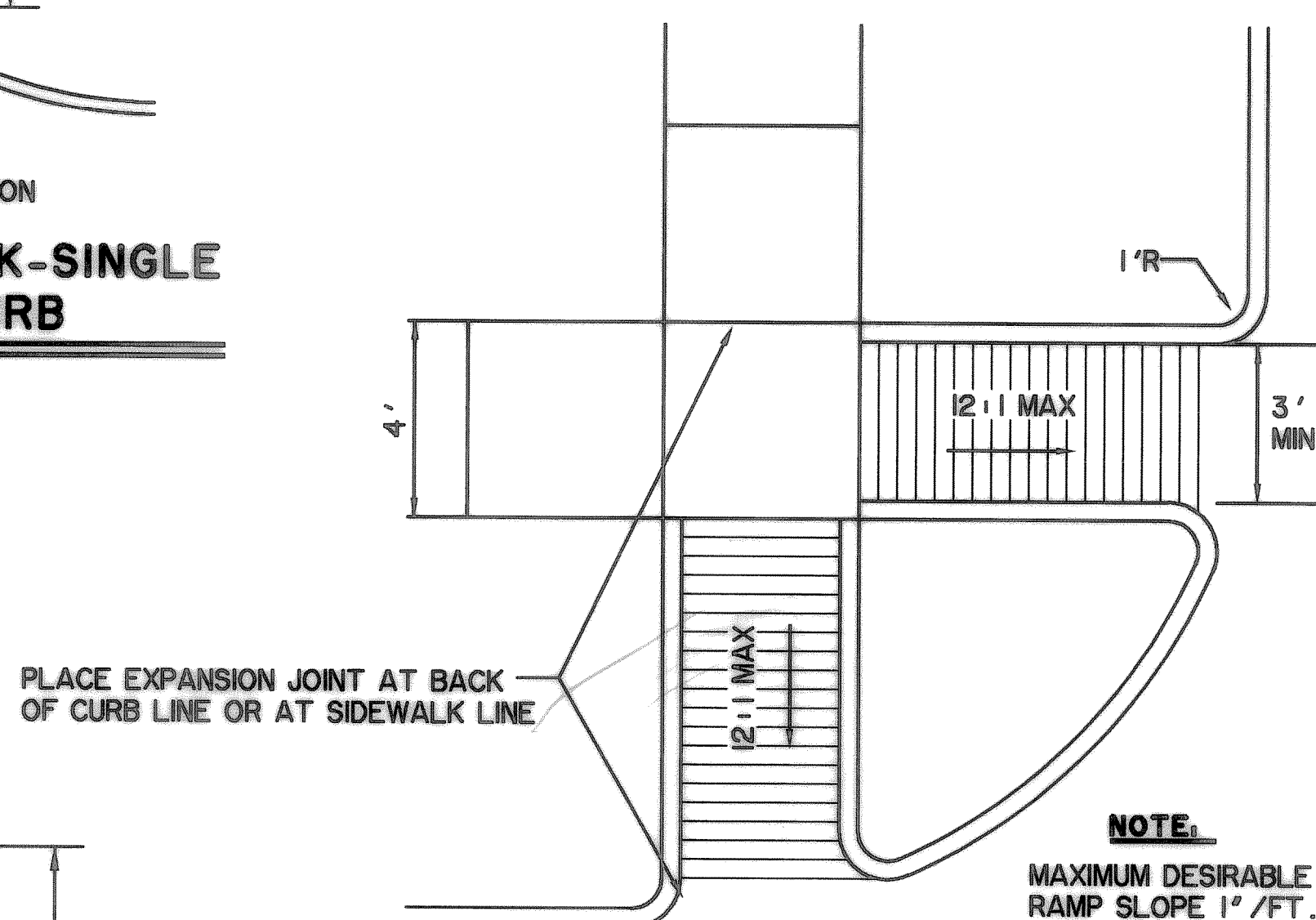
**HANDICAP  
GENERAL NOTES:**

1. HANDICAP RAMPS AND WALKWAYS SHALL CONFORM TO THE LATEST STANDARDS OF THE "TEXAS ACCESSIBILITY STANDARDS (TAS) AND THE "UNIFORM FEDERAL ACCESSIBILITY STANDARDS" ESTABLISHED BY THE AMERICANS WITH DISABILITIES ACT (ADA) OF 1990.
2. SCORING AT RAMP WARNING LOCATIONS SHALL CONSIST OF TOOLED OR SAWED GROOVES 4 INCHES APART 1/4 INCH WIDE BY 1/8 INCH DEEP FOR THE FULL WIDTH OF THE RAMP TRANSVERSE TO THE DIRECTION OF MOVEMENT.



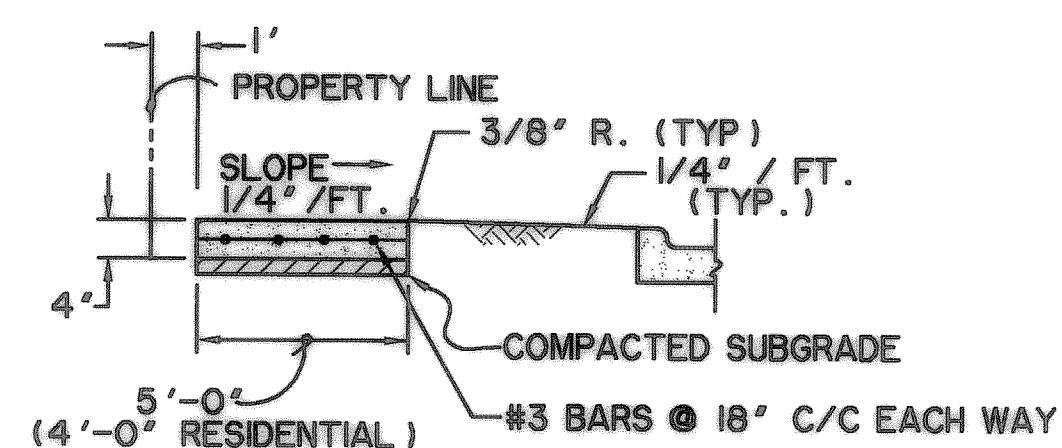
**CURB RAMP 5' WALK-SINGLE  
FOR NORMAL WALK**

N.T.S.



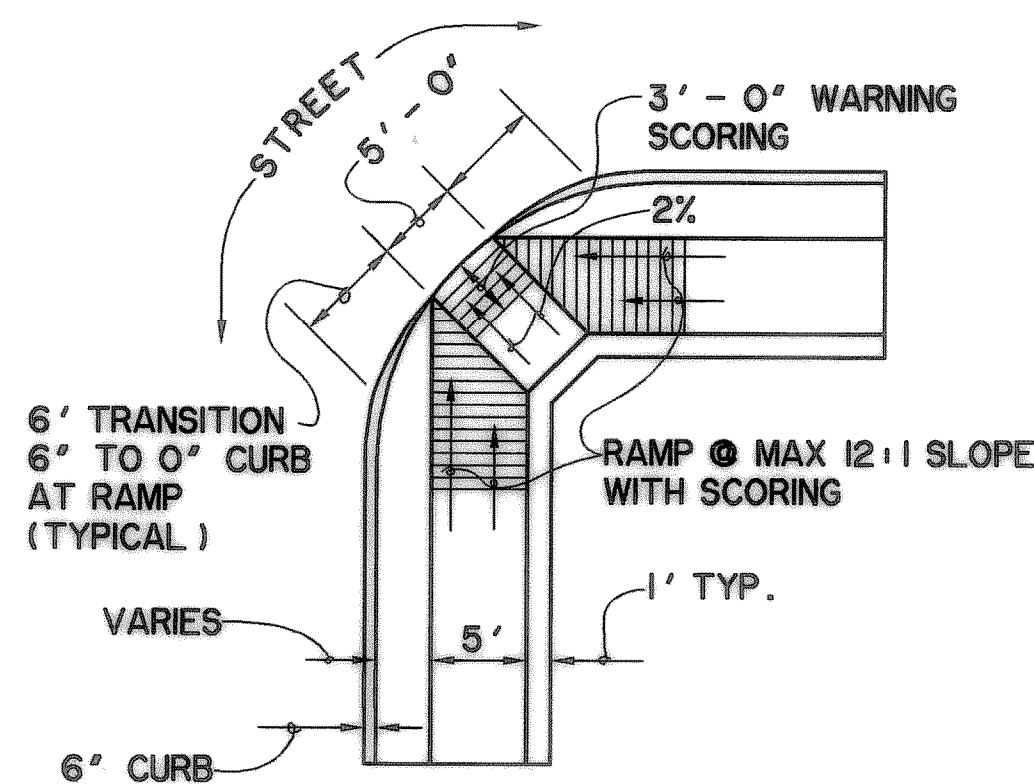
**STANDARD  
SIDEWALK RAMP TYPE I**

N.T.S.



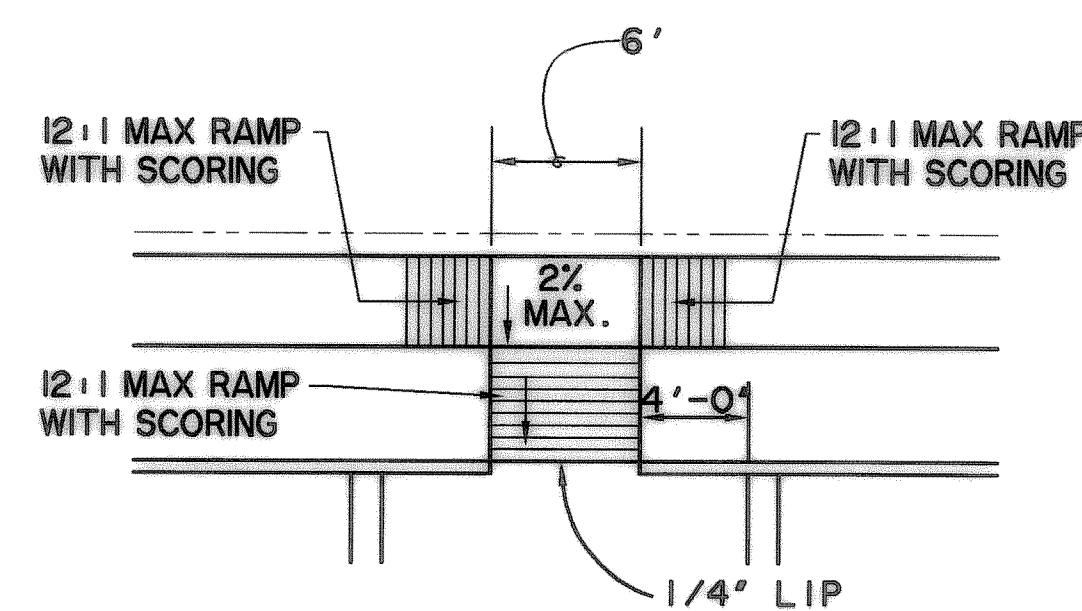
**NORMAL SIDEWALK SECTION**

N.T.S.



**TYPICAL INTERSECTION RAMP TYPE II**

N.T.S.



**MID-BLOCK RAMP FOR NORMAL WALK**

N.T.S.

**"RECORD PLANS"  
06-25-99**

REVISIONS	ITEM	DATE	BY
5			
4			
3			
2			
1			

**PAVING - SIDEWALK & HANDICAP  
DETAILS**

**CITY OF ROCKWALL**

ENGINEERING DEPARTMENT

DATE:	SHEET NO.
NOV., 1997	SD-7