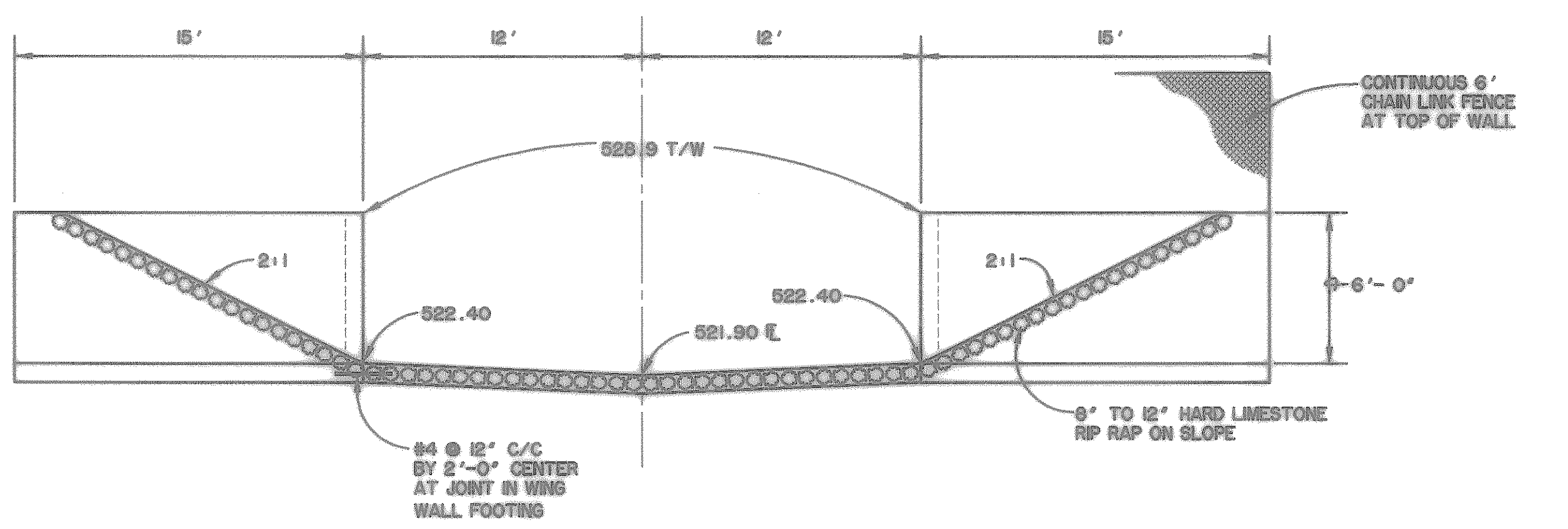
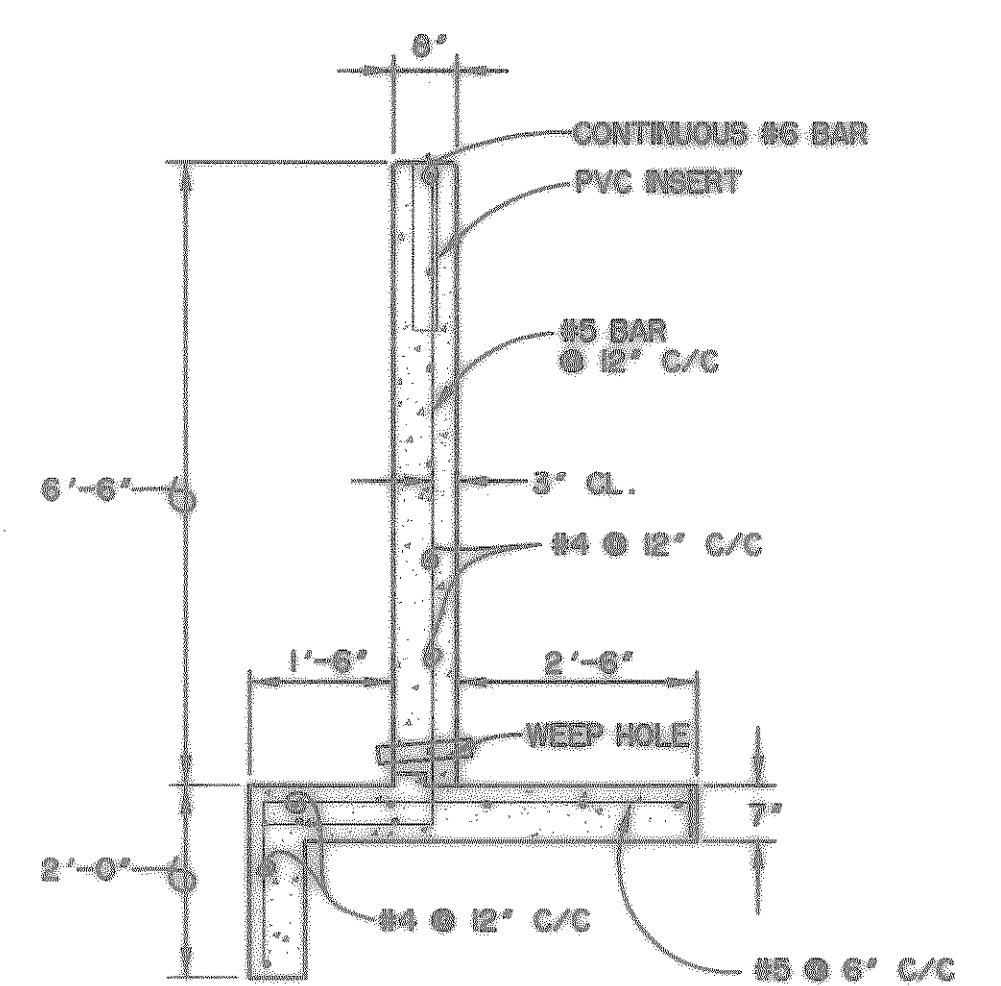


PLAN
N.T.S.

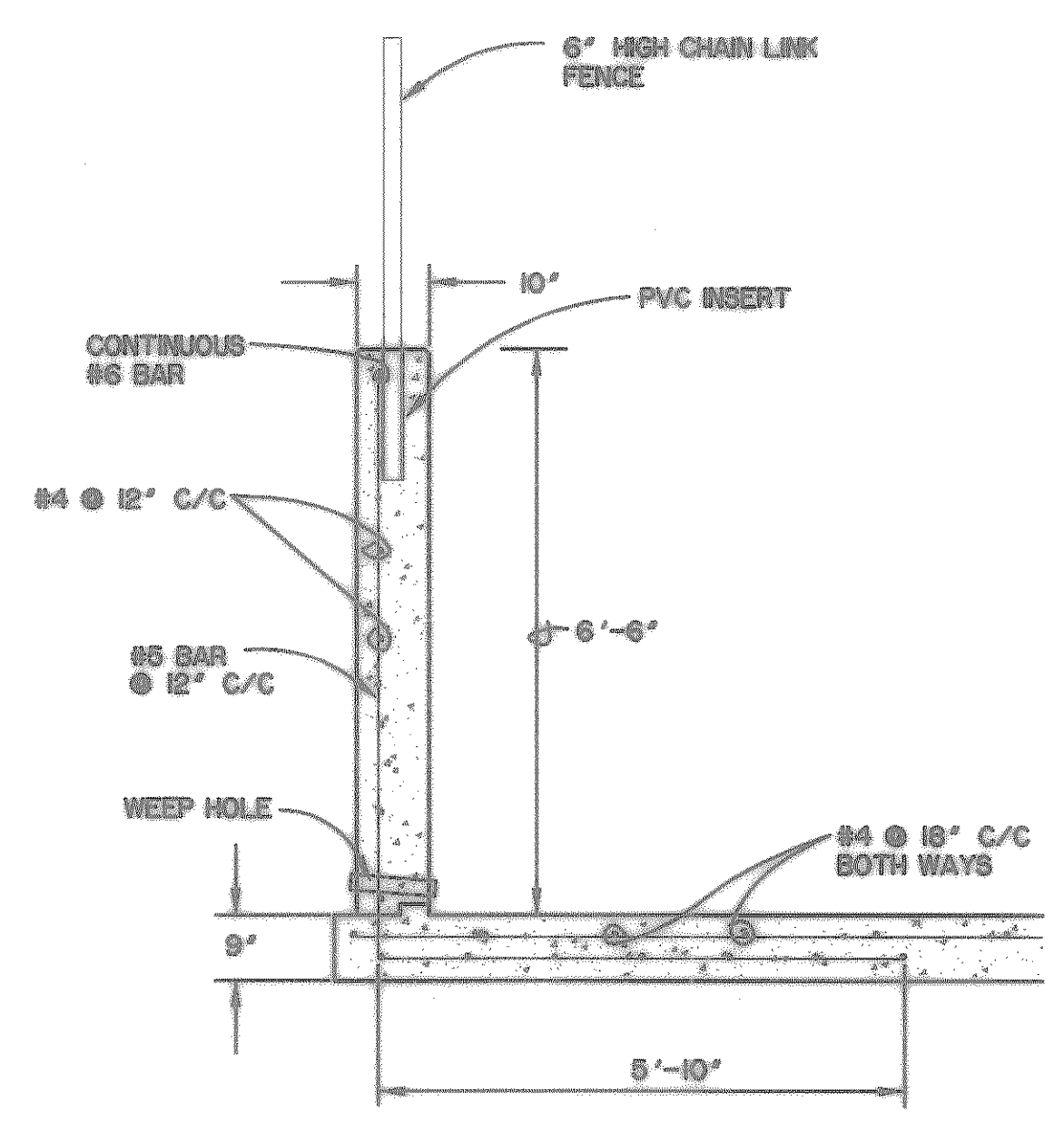
SECTION B-B
SCALE: 1" = 5'-0"



SECTION A-A
SCALE: 1" = 10'-0"



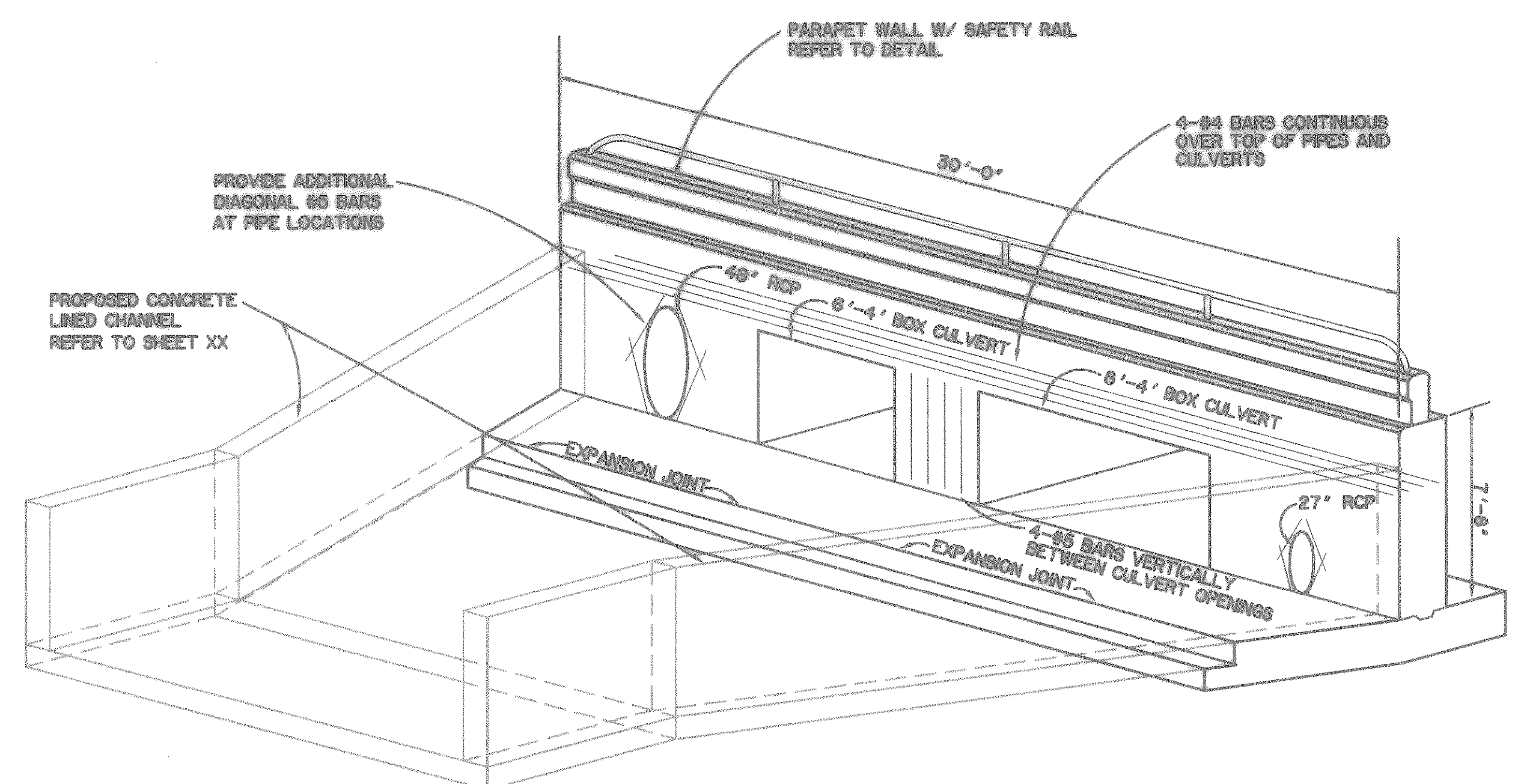
SECTION D-D
SCALE: 1/2" = 1'-0"



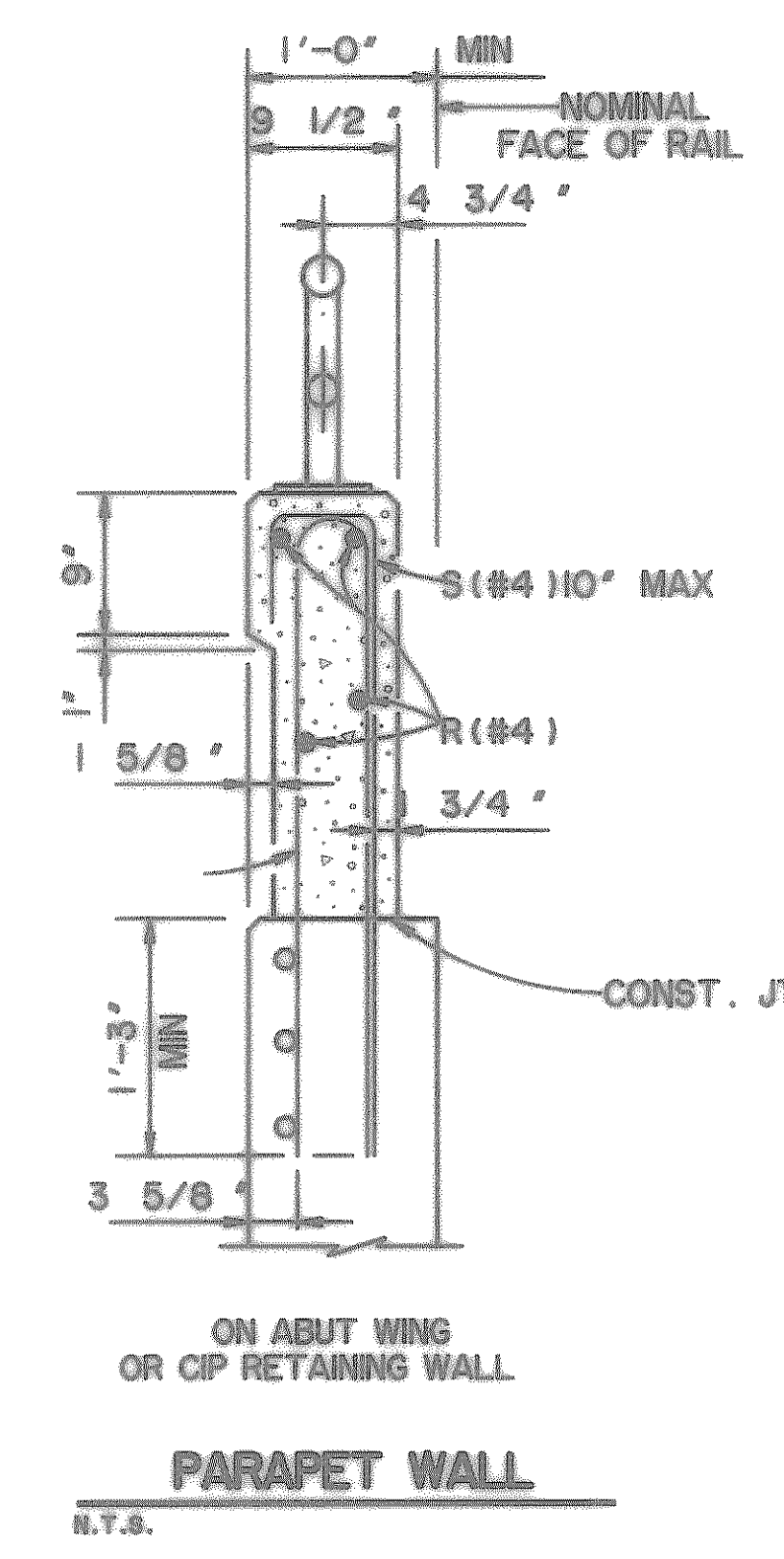
SECTION C-C
SCALE: 1/2" = 1'-0"

CHANNEL OUTFALL DETAILS

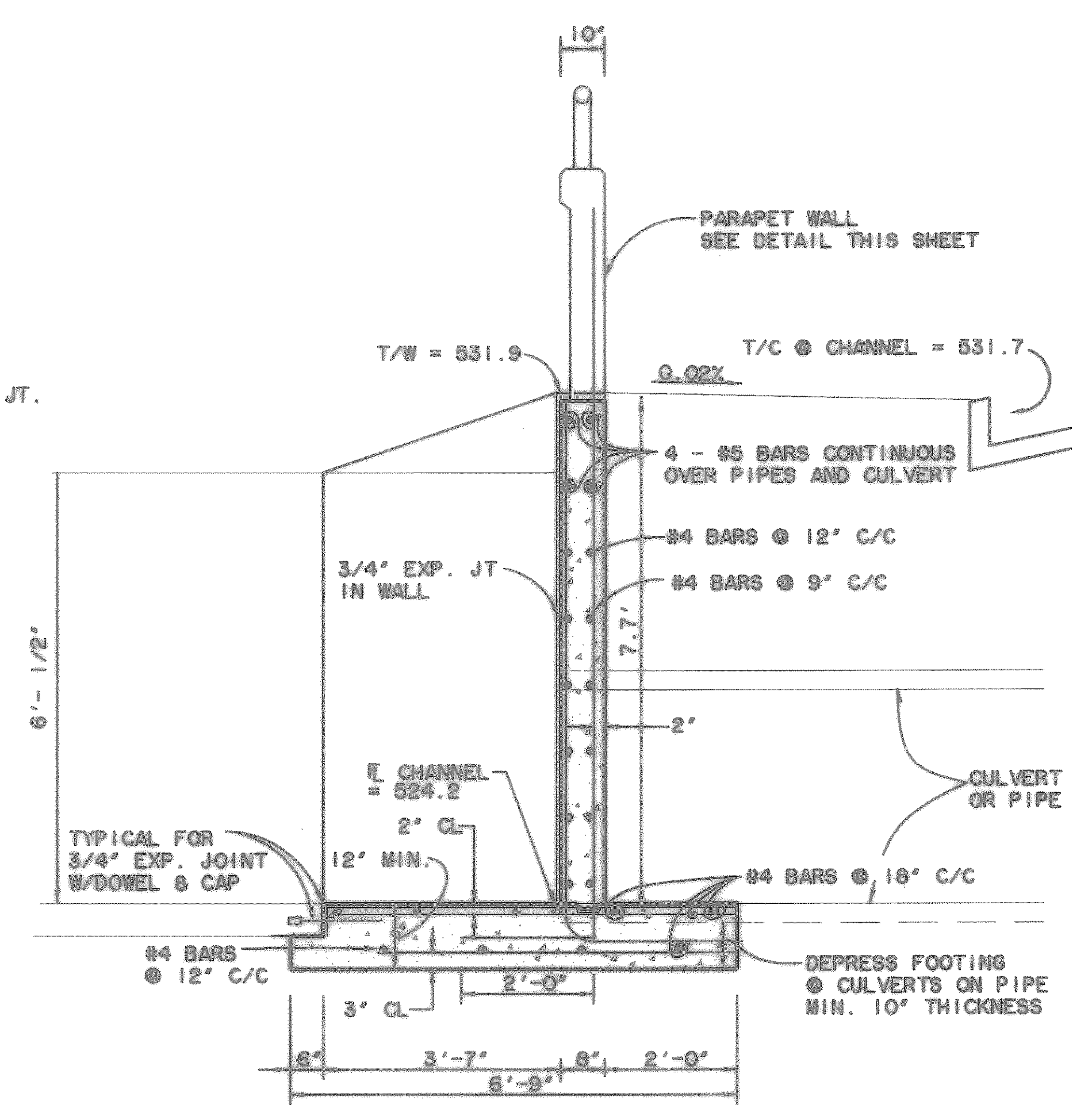
N.T.S.



HEADWALL PERSPECTIVE VIEW
STA 4 + 75.75 CONC. LINED CHANNEL
N.T.S.



PARAPET WALL
N.T.S.

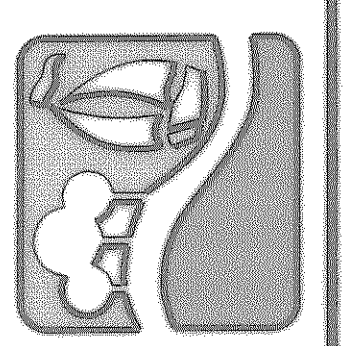


HEADWALL DETAIL
N.T.S.

CHANNEL HEADWALL DETAILS

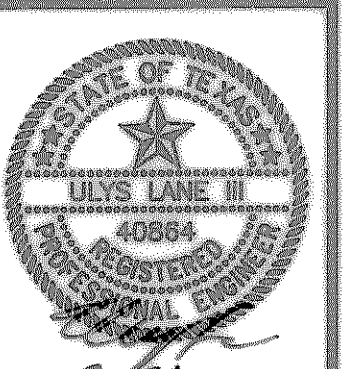
N.T.S.

PREPARED BY:
WIA WIER & ASSOCIATES, INC.
ENGINEERS SURVEYORS LAND PLANNERS
4300 BELTWAY PLACE SUITE 130 AUBURN, TEXAS 76810 METRO (817) 467-7100
4110 AMON CENTER BLD. SUITE 200 FORT WORTH, TEXAS 76165 METRO (817) 265-4957



RALPH HALL PARKWAY
CITY OF ROCKWALL
ROCKWALL COUNTY, TEXAS

CHANNEL
DETAILS



"RECORD PLANS"
06-25-99

COPYRIGHT ©
WIER & ASSOCIATES, INC.
LAST SHEET EDIT
DATE 06-25-99
WAS97087

SHEET NO.
23

TIME 14:10 PM FILE:DETAILS.3.dwg