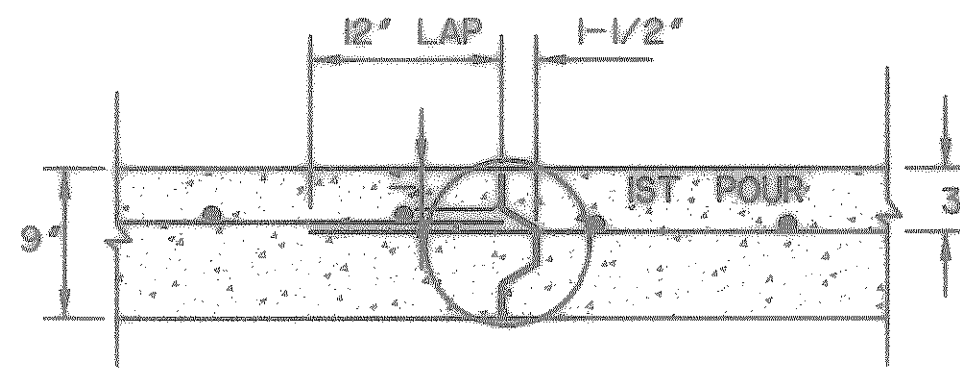
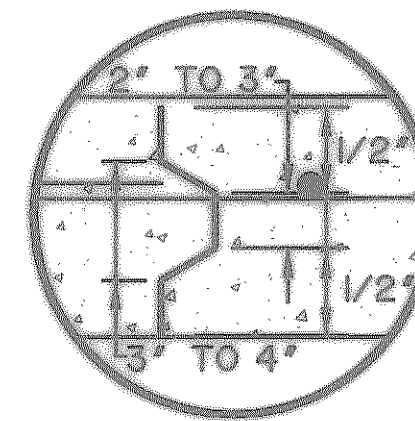


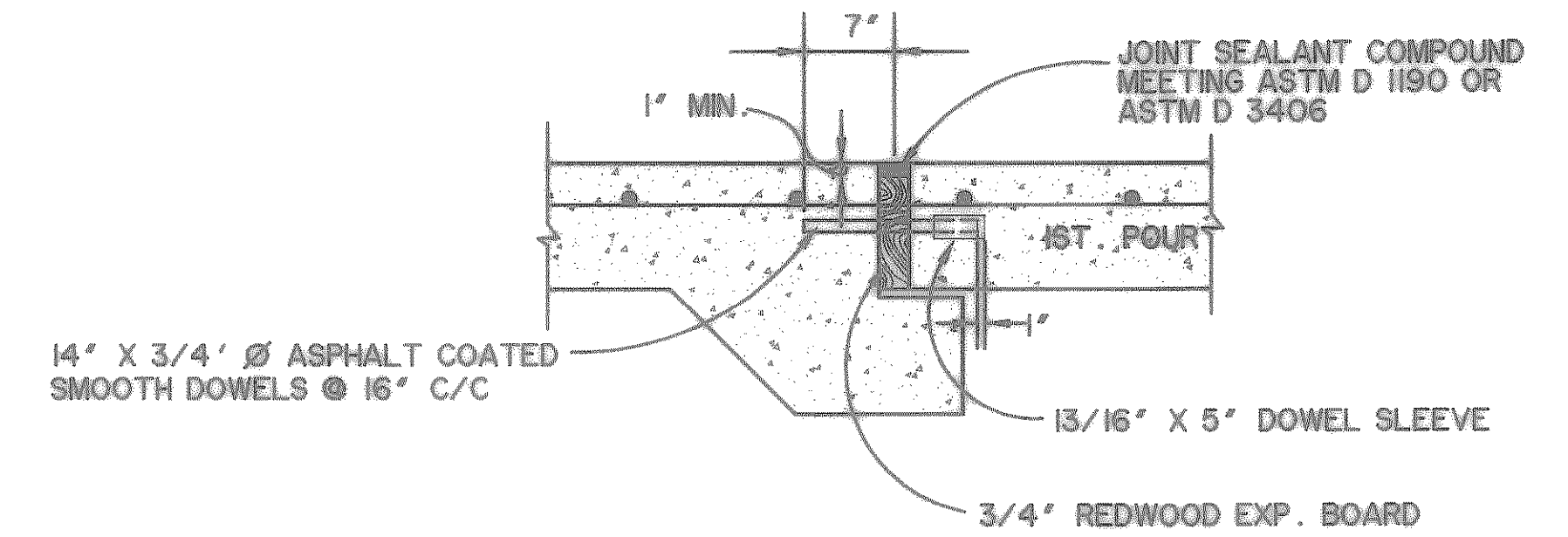
MASONRY VENEER OPTION
N.T.S.

NOTES:

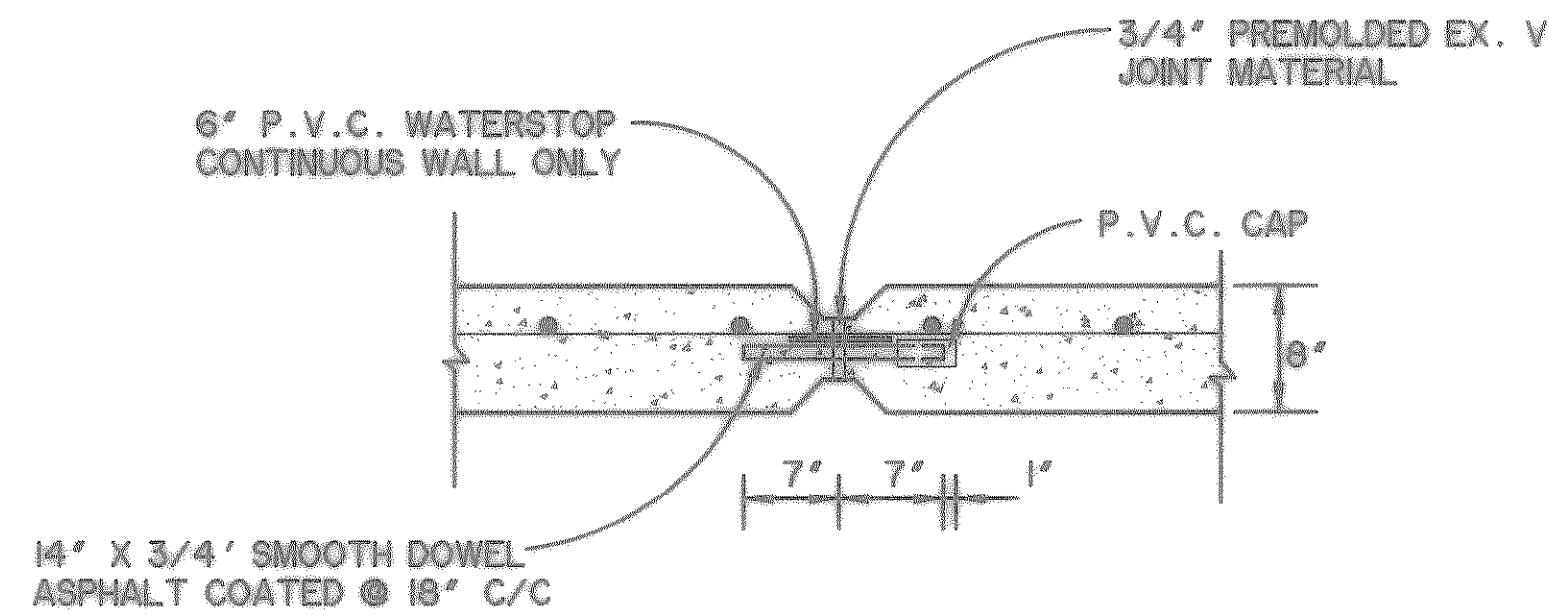
1. STONE SHALL BE MILSAP ROUGH CUT QUARRY STONE AND SAMPLE STONE SHALL BE PROVIDED TO CONFIRM HARDNESS, TEXTURE AND COLOR. TYPICAL 5" STONE WIDTH
2. PROVIDE 1" KEY WAY AT BASE OF WALL WHERE STONE VENEER IS PROVIDED.
3. MORTAR STONE IN PLACE WITH MINIMUM 2,500 PSI MORTAR W/MINIMUM ONE SACK PORTLAND CEMENT PER CUBIC YARD.
4. PROVIDE GALVANIZED STEEL HEAVY WALL TIES ANCHORED TO WALLS WITH CONCRETE NAILS INSTALLED BY COMPRESSION AIR HAMMERS.



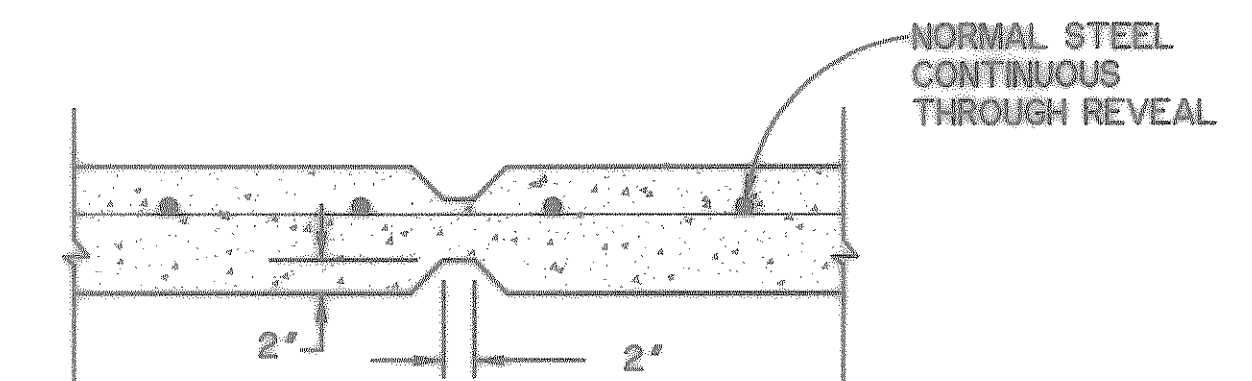
FLOOR CONSTRUCTION JOINT
N.T.S.



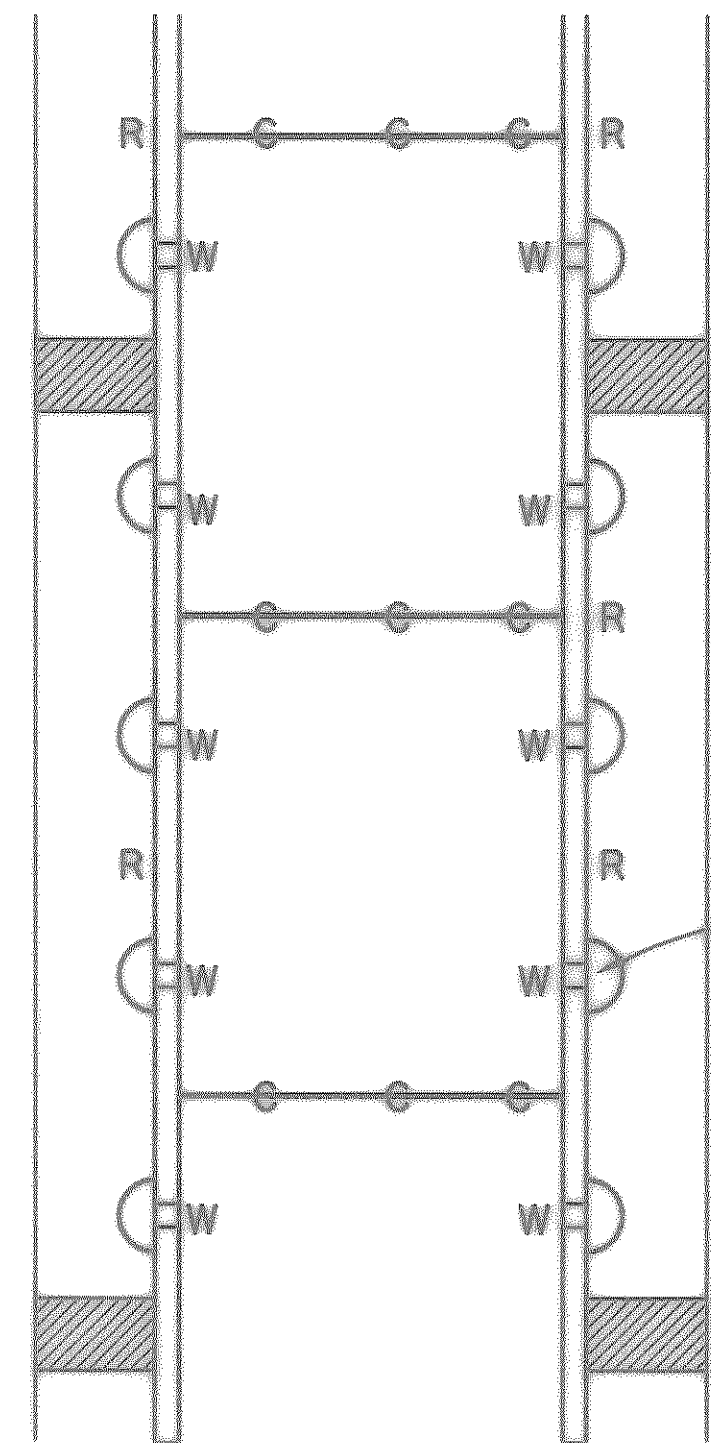
FLOOR EXPANSION JOINT
N.T.S.



WALL EXPANSION JOINT
N.T.S.



WALL REVEAL @ 10' G/C
N.T.S.



C. FLOOR CONTRACTION OR CONSTRUCTION JOINT @ 20' C/C

R. WALL REVEAL @ 10' C/C

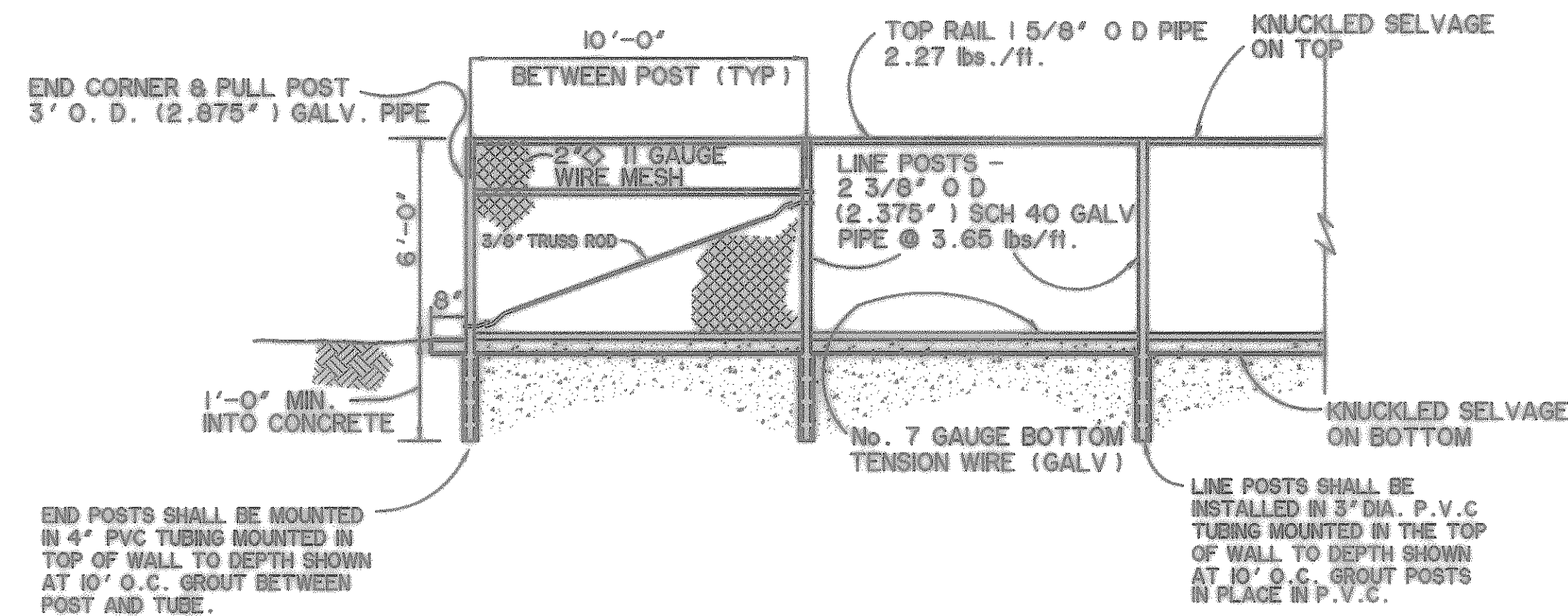
W. WEEP HOLE @ 10' C/C

CLAY BACKFILL 3' WIDE @ 40' C/C FULL DEPTH (DELETE SELECT BACKFILL)

MIN. 1'-6" X 3'-0" WIDE C-33 SAND @ WEEP HOLES

CONSTRUCTION JOINT/ WEEP HOLE LAYOUT

N.T.S.



6' HIGH CHAIN LINK FENCE
SCALE: 1/4" = 1' - 0"

"RECORD PLANS"
06-25-99

