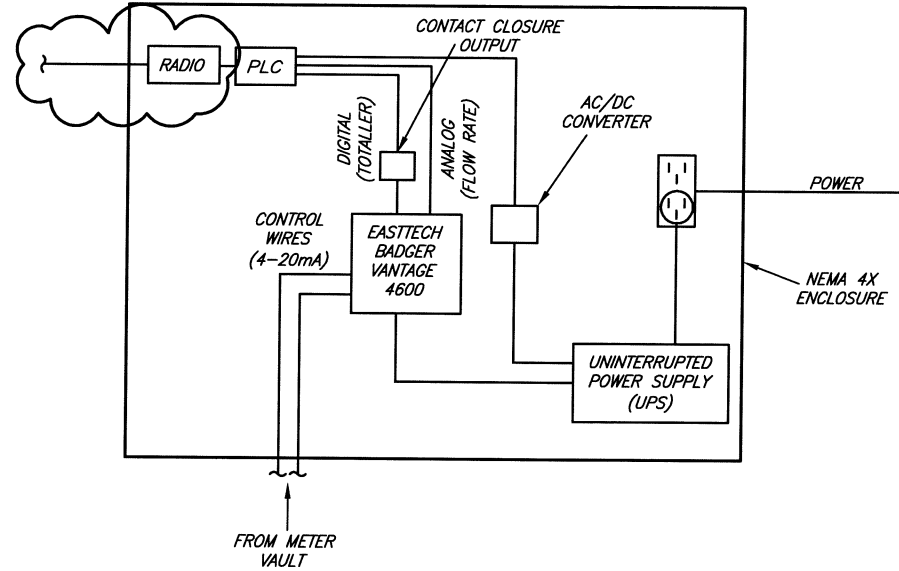


NOTES:

1. ELECTRICAL CONTROL PANEL, NEMA 4X, 36"x24"x18"D.
2. 4" VERTICAL SUPPORT PIPES SHALL BE PLUMB.
3. ALL CONCRETE SHALL BE 3600 P.S.I. NCTCOG CLASS C.
4. CONCRETE PAD SHALL BE REINFORCED WITH NO. 3 REBAR @ 18" O.C.E.W. MINIMUM PAD DIMENSIONS SHALL BE 7'-0" x 3'-0".
5. CONTRACTOR SHALL INCLUDE IN THEIR BID, ALL ELECTRICAL WORK REQUIRED TO BRING POWER FROM ELECTRIC METER TO CONTROL PANEL.
6. CONTRACTOR SHALL INCLUDE IN THEIR BID, ALL WORK REQUIRED TO CONNECT EACH METER VAULT TO THE CITY'S SCADA SYSTEM. CONTRACTOR SHALL USE KIMARK TO FURNISH, PROGRAM & COMMISSION THE PLC INTO THE CITY'S SCADA SYSTEM, INCLUDING MAKING CONFIGURATION CHANGES TO HMI COMPUTER. KIMARK'S PHONE NUMBER IS 817-253-2121.
7. SCADA SYSTEM & EACH METER SHALL BE CONFIGURED TO ALLOW BOTH INSTANTANEOUS FLOW & MONTHLY VOLUME TO BE READ BOTH LOCALLY & AT THE HMI COMPUTER. THIS WILL BE A BILLING METER.

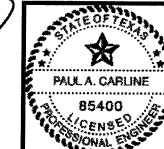
ELEVATION - METER & TELEMETRY EQUIPMENT CONTROL PANEL
(TYPICAL EACH METER LOCATION)



CONTROL PANEL SCHEMATIC
NO SCALE

This record drawing is a compilation of the sealed engineering drawing for this project, modified by addenda, change orders and information furnished by the contractor. The information shown on the record drawings that was provided by the contractor or others not associated with the design engineer cannot be verified for accuracy or completeness. This original sealed drawings are on file at the offices of Birkhoff, Hendricks & Conway, L.L.P.
BY P.A.C. DATE 03/12/09

[Handwritten signature]
12/20/07



These plans and related specifications were prepared for construction of this specific project only. Reuse of these documents is not permitted without written authorization of Birkhoff, Hendricks, & Conway, L.L.P.

CITY OF ROCKWALL, TEXAS			
NOTES & DETAILS			
BIRKHOFF, HENDRICKS & CONWAY, L.L.P. CONSULTING ENGINEERS Dallas, Texas			
PROJECT ENGINEER:	P.C.	PROJECT:	2006-153
PROJECT TECHNICIAN:	J.Y.	DATE:	March, 2009
			SHEET NO. 4