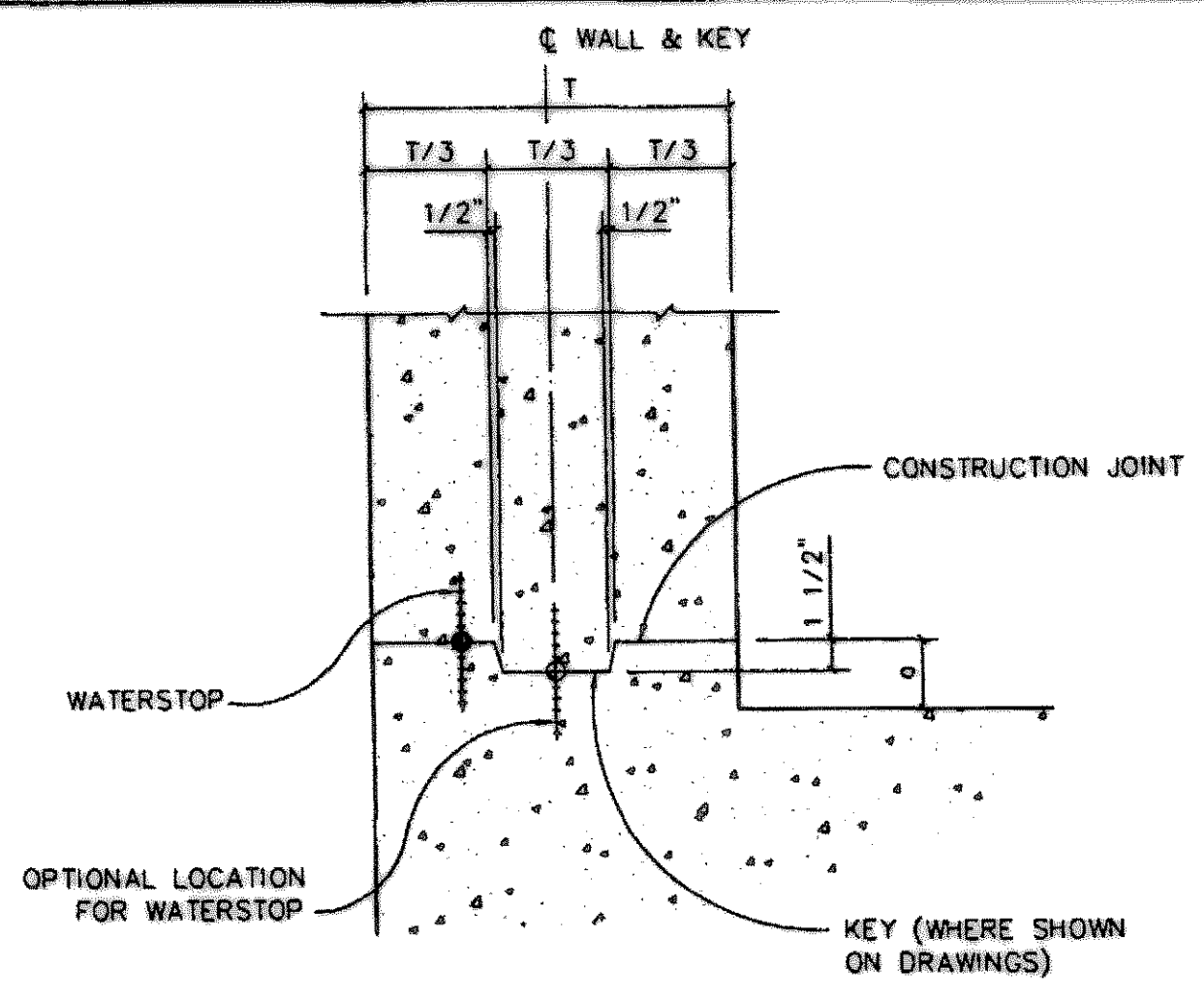


SCALE IN FEET

SECTION C-C

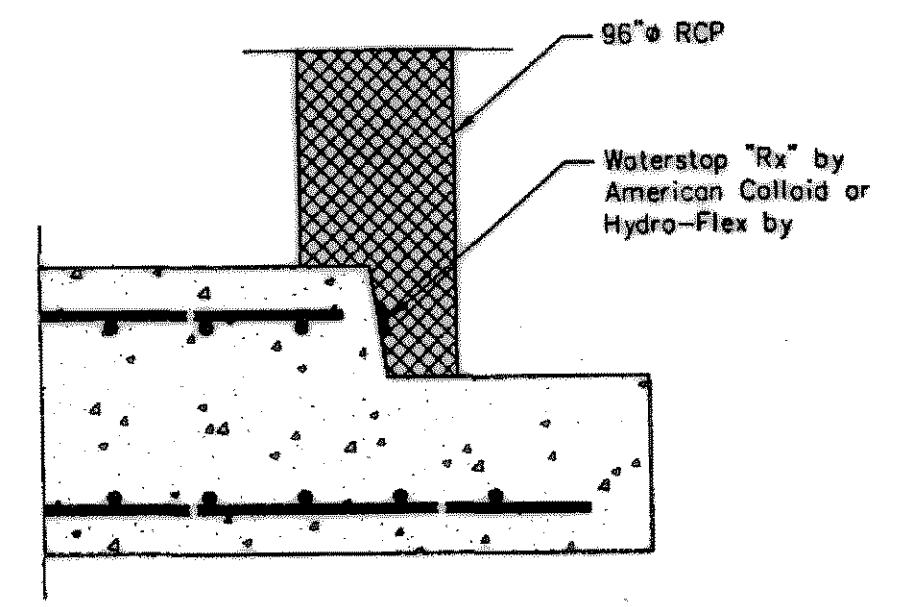
NOTES:

1. α = NOT LESS THAN REQUIRED FOR WATERSTOP TO CLEAR THE REINFORCING. IF NO WATERSTOP IS REQUIRED, THE CONSTRUCTION JOINT DOES NOT NEED TO BE RAISED ABOVE THE SLAB.
2. UNLESS OTHERWISE NOTED, WATERSTOPS SHALL BE PROVIDED IN ALL CONSTRUCTION JOINTS AS SHOWN ON THE PLANS AND IN ALL CONSTRUCTION JOINTS NOT SHOWN ON THE PLANS AS FOLLOWS:
 - A. ALL CONSTRUCTION JOINTS IN STRUCTURES WHERE FLUID IS TO BE RETAINED UP TO A POINT ONE FOOT ABOVE MAXIMUM WATER LEVEL.
 - B. ALL CONSTRUCTION JOINTS IN STRUCTURES WHERE DRY AREAS ARE TO BE ENCLOSED, BELOW A POINT ONE FOOT ABOVE FINISH GRADE.



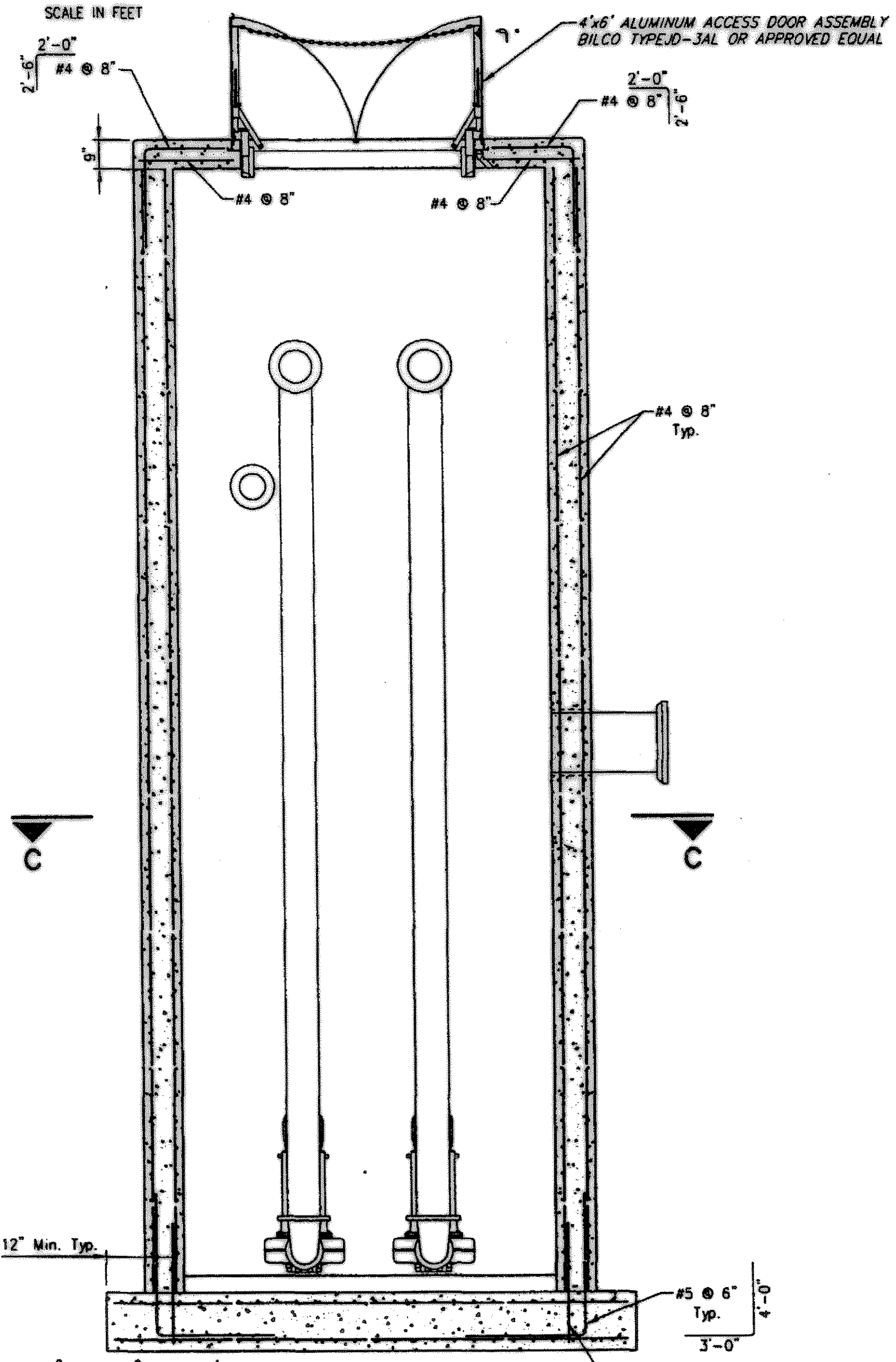
SD 10

TYPICAL SHEAR KEY WITH WATERSTOP



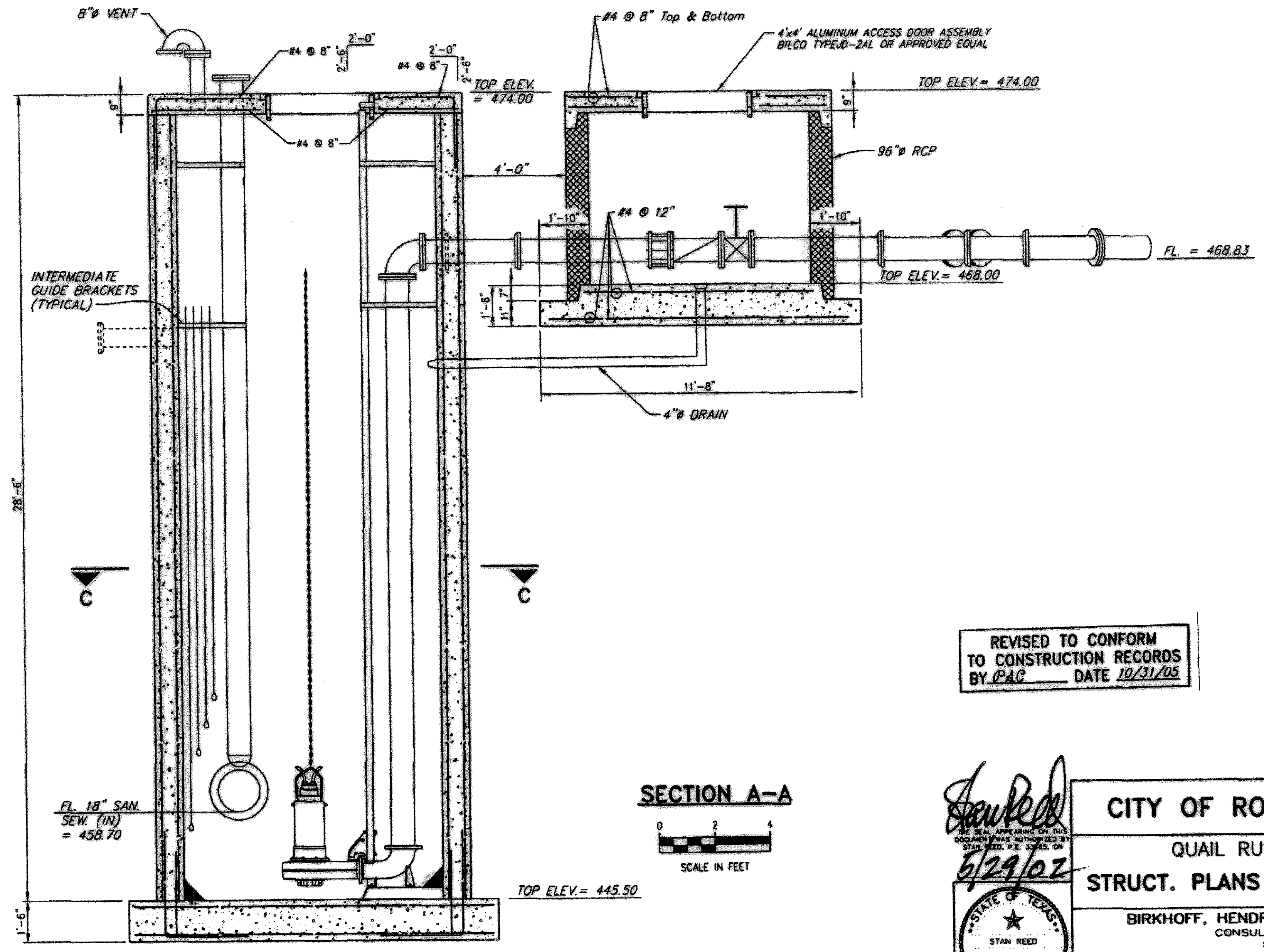
BASE JOINT DETAIL

SCALE IN FEET



SCALE IN FEET

SECTION B-B



SCALE IN FEET

SECTION A-A

CAST-IN-PLACE OPTION

REVISED TO CONFORM TO CONSTRUCTION RECORDS BY PAC DATE 10/31/05

These plans and related specifications were prepared for construction of this specific project only. Reuse of these documents is not permitted without written authorization of Birkhoff, Hendricks, & Conway, L.L.P.

Stan Reed
 THE SEAL APPEARING ON THIS DOCUMENT WAS AUTHORIZED BY STAN REED, P.E. 33685, ON 6/29/02
 STATE OF TEXAS
 STAN REED
 33685
 LICENSED PROFESSIONAL ENGINEER

CITY OF ROCKWALL, TEXAS			
QUAIL RUN LIFT STATION			
STRUCT. PLANS & SECTIONS (2 of 4)			
BIRKHOFF, HENDRICKS & CONWAY, L.L.P. CONSULTING ENGINEERS Dallas, Texas			
DESIGNED BY: S.C.R.	PROJECT: 2000 172	SHEET NO. S2	
DRAWN BY: S.C.R.	DATE: MAY, 2002	OF SHEETS	