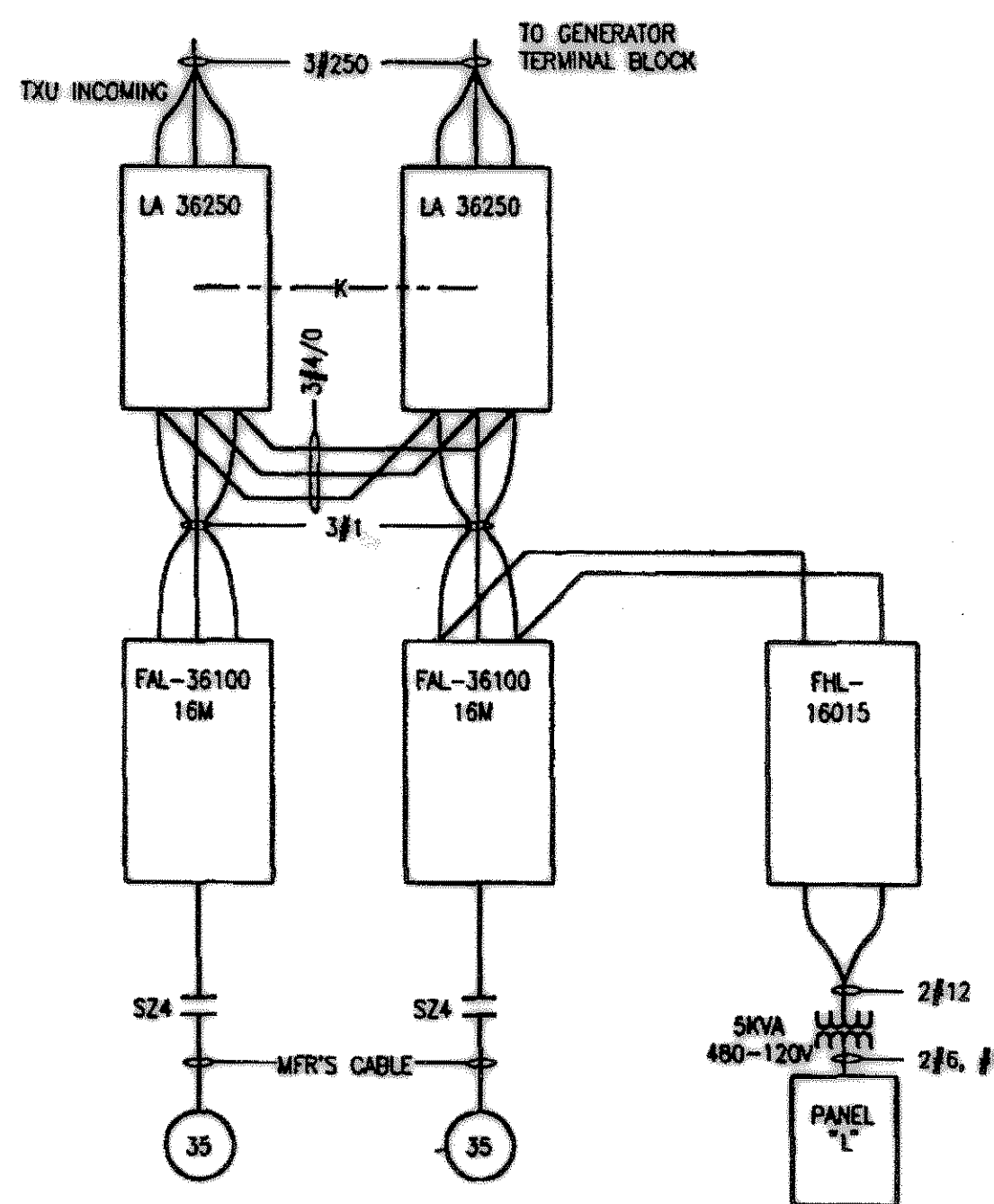
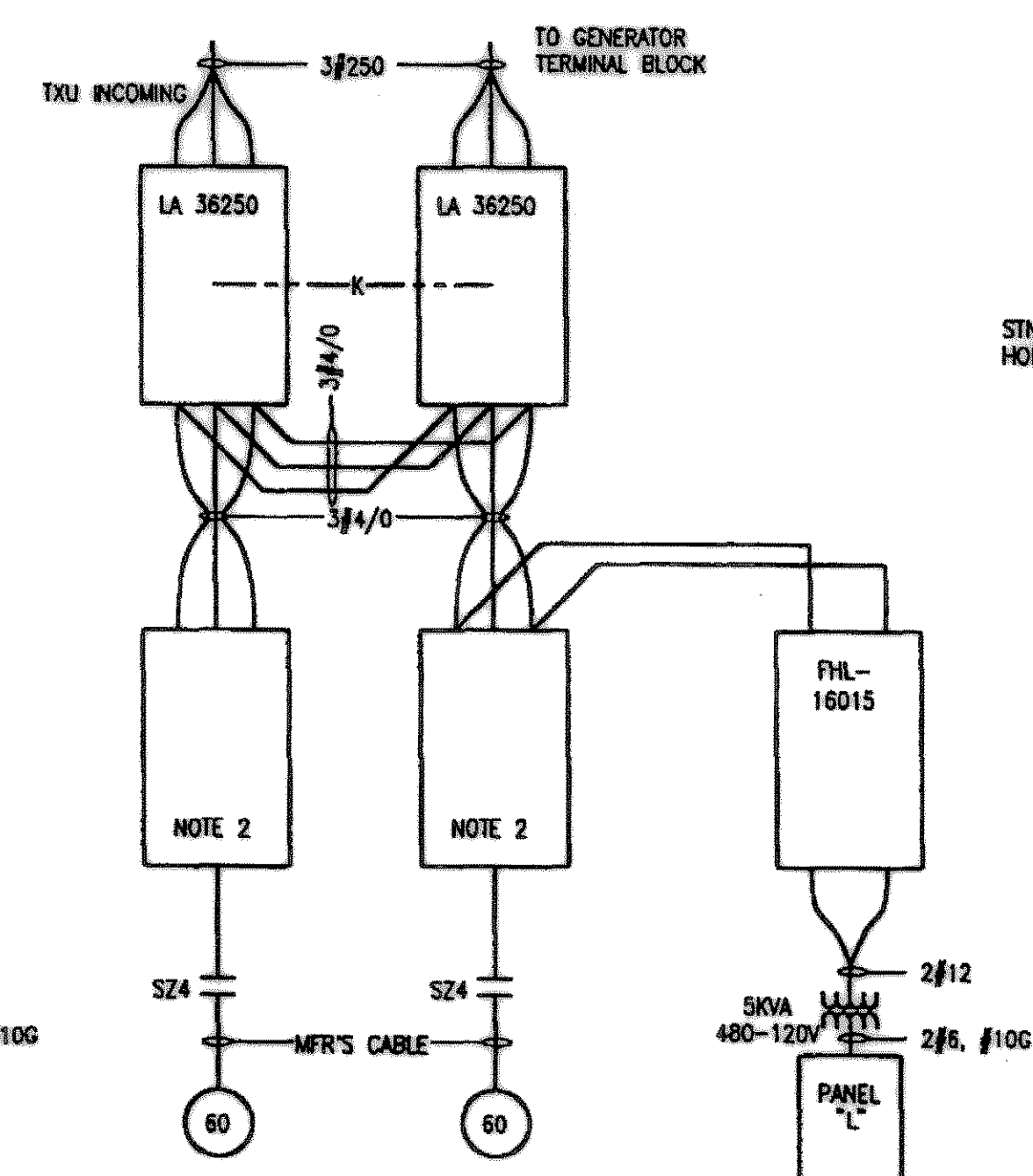


- 1 - NEMA 4X STAINLESS STEEL ENCLOSURE. 74"x72"x24"D. WIEGMANN 554ND.
- 2 - 68"x68" STAINLESS STEEL SUBPANEL.
- 3 - 120V 1 LAMP FLUORESCENT FIXTURE. PROVIDE 78 LAMPS AND COLD WEATHER BALLAST. HUGBELL #SM21TB1.
- 4 - INCOMING CIRCUIT BREAKER UTILITY & GENERATOR. MKK KEY INTERLOCKED. REF. ONE LINE DIAGRAM & DET. 02/ THIS SHEET.
- 5 - PLC. REFER TO CONTROL BLOCK DIAGRAM.
- 6 - MODEM. REFER TO CONTROL BLOCK DIAGRAM.
- 7 - PANEL "L" REFER TO PANEL SCHEDULE.
- 8 - POWER DISTRIBUTION BLOCK ILSCO PDB-22-2/0-1 SOLID GROUND.
- 9 - PANEL GROUND BY PANEL VENDOR.
- 10 - STARTER. SQUARE D CLASS 8536 TYPE SF01V02 H315 WITH 120V CPT. SOLID STATE RELAY. AUX. 120-24V TRANSFORMER. HOA. I.L. ELAPSED TIME METER. REFERENCE CONTROL SCHEMATICS.
- 11 - POWER DISTRIBUTION BLOCK ILSCO PDC-11-2/0-1 (2). GENERATOR NEUTRAL AND GROUND CONNECTION.
- 12 - POWER DISTRIBUTION BLOCK ILSCO PDB-11-500-3. GENERATOR POWER CONNECTION.
- 13 - 5 KVA TRANSFORMER. SQUARE D CLASS 9070 TYPE T5000 DI.
- 14 - 120 VAC UPS AND 24 VDC POWER SUPPLY. REFER TO AC & DC POWER WITH UPS DETAIL.
- 15 - STROBE WARNING LIGHT. FEDERAL STARFIRE MODEL 1315T.
- 16 - EXHAUST GRILLE & FILTER. REFER TO ITEM 17.
- 17 - COOLING FAN GRILLE & FILTER. WIEGMANN WA-PA 10AFXH.
- 18 - AMBIENT SENSING THERMOSTAT. DAYTON 2E72B. (GRANGER)
- 19 - INTRINSICALLY SAFE RELAYS AND MINI CAS II FUS. REFER TO INTRINSICALLY SAFE SWITCH DETAILS AND CONTROL SCHEMATICS.
- 20 - LIGHTNING & SURGE ARRESTOR. DELTA LA-603G, DELTA CA603G.
- 21 - CONTROLS & INDICATOR PANEL WITH HOA, ETM & RUN LIGHTS FOR EACH PUMP MOTOR. REF. CONTROL SCHEMATIC.
- 22 - MOTOR BRANCH CIRCUIT BREAKER. REF. ONE LINE DIAGRAM & DET. 02/ THIS SHEET.

01 CONTROL PANEL
NOT TO SCALE

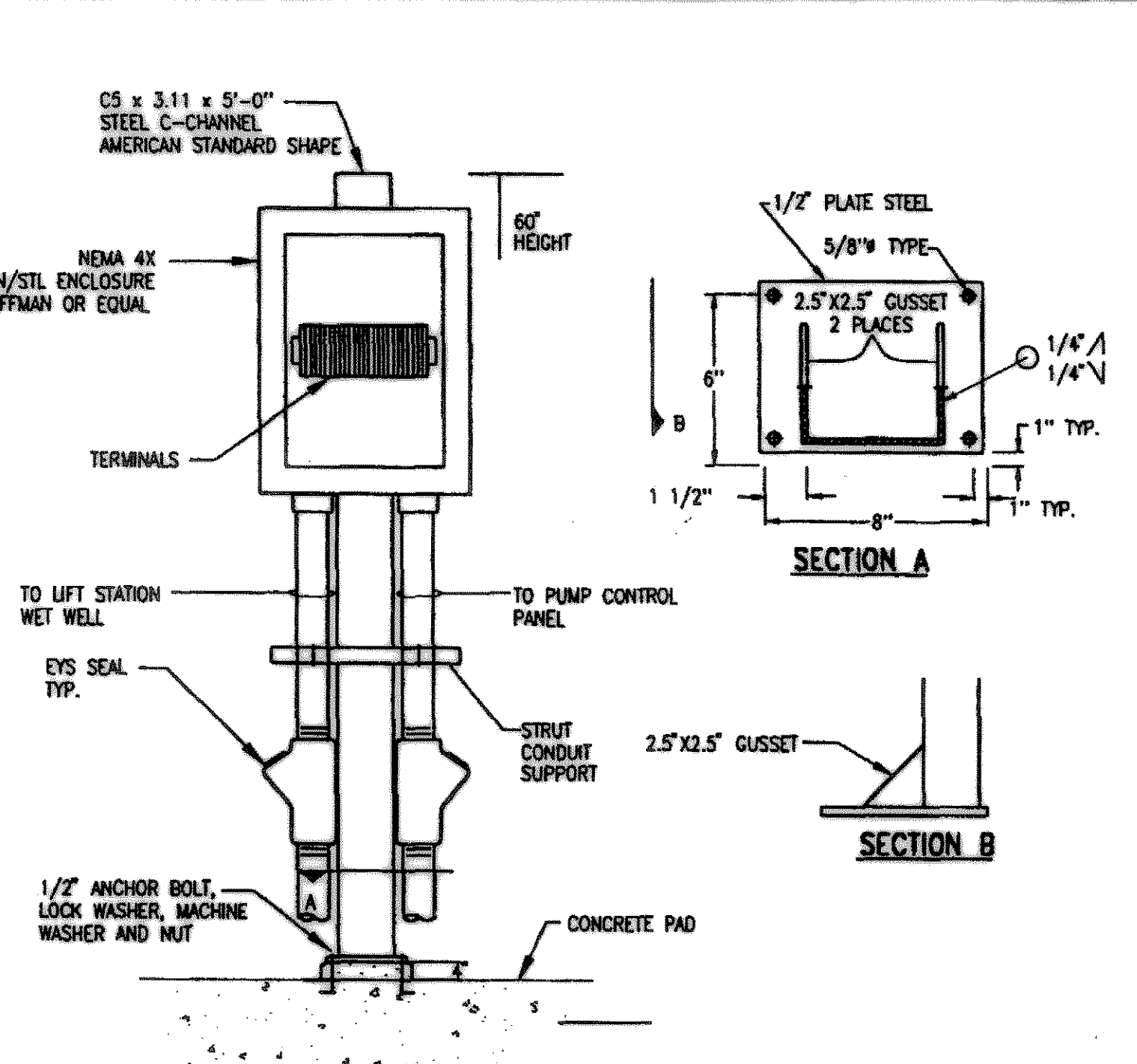


02 CONTROL PANEL POWER WIRING
QUAIL RUN LIFT STATION



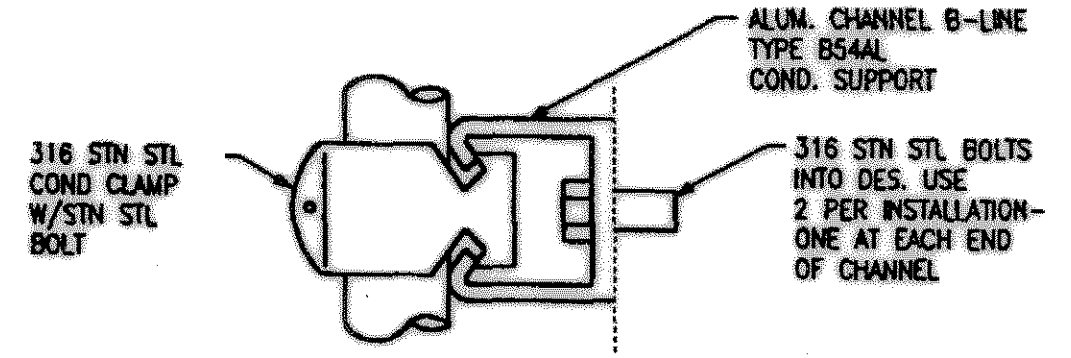
02 CONTROL PANEL POWER WIRING
QUAIL RUN LIFT STATION (FUTURE)

- NOTES:
- CIRCUIT BREAKER MODEL NUMBERS ARE SQUARE D.
 - REPLACE CIRCUIT BREAKER WITH KAG-36250.22M AND INCOMING CONDUCTORS WHEN FUTURE 60 HP MOTORS ARE INSTALLED.

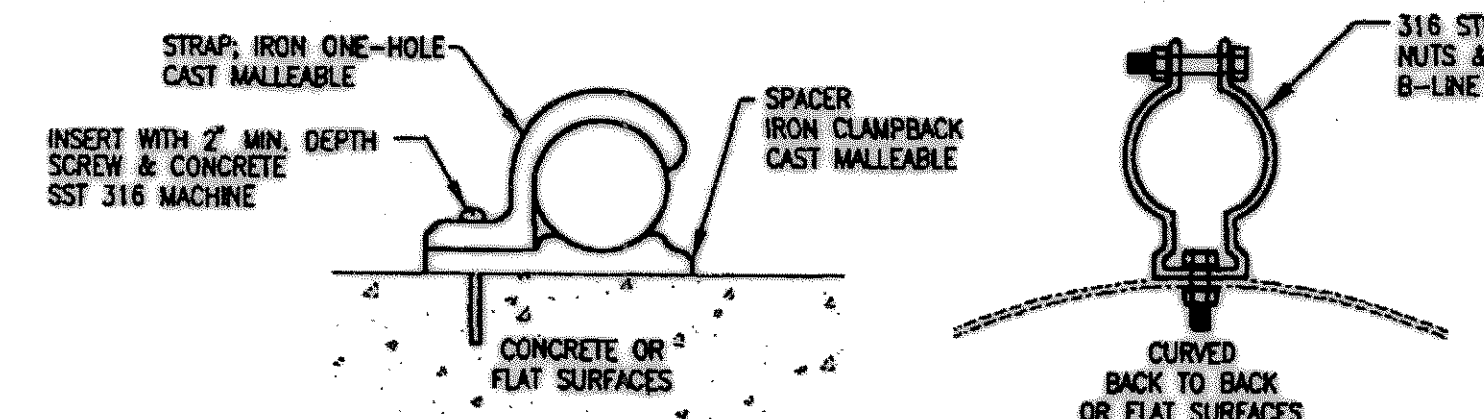


DESCRIPTION	J-BOX SIZE	CONDUIT SIZE	QTY
FLOAT	16X12X8"	2" C IN AND OUT	1
PUMP TERM.	24X36X12"	2" C IN AND OUT	2

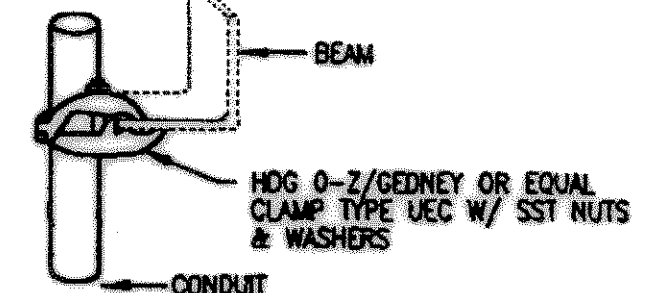
07 JUNCTION BOX W/ STAND
NOT TO SCALE



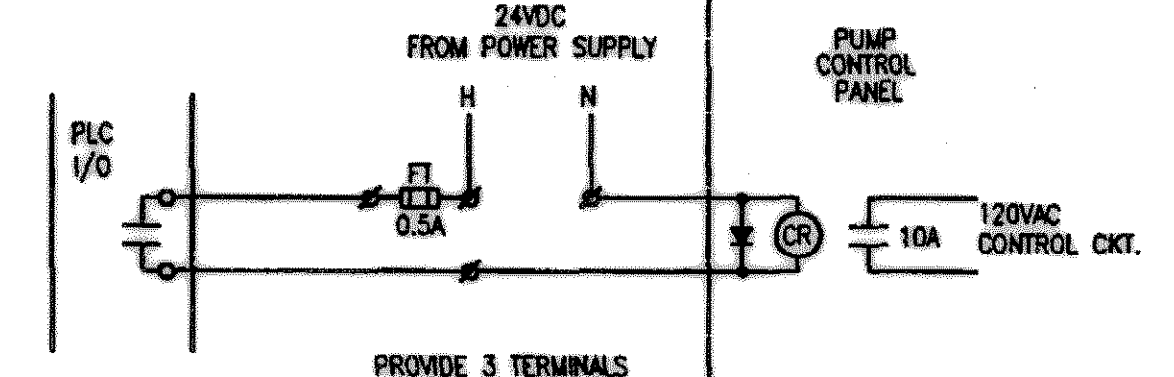
03 TYPICAL CONDUIT SUPPORT ON CONCRETE STRUCTURES FOR MULTIPLE CONDUIT RUNS
SCALE: NOT TO SCALE



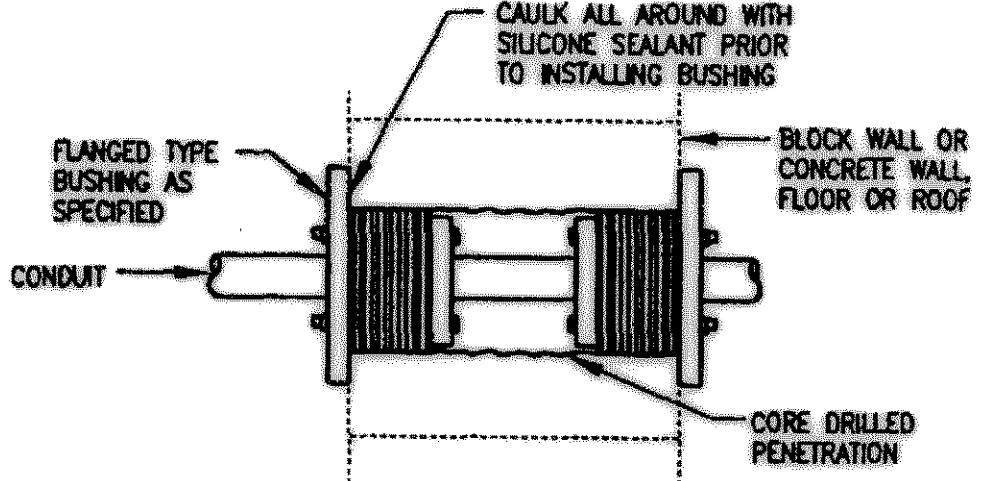
04 TYPICAL CONDUIT SUPPORT SINGLE CONDUIT
NOT TO SCALE



08 TYPICAL EDGE TYPE CONDUIT SUPPORT
NOT TO SCALE

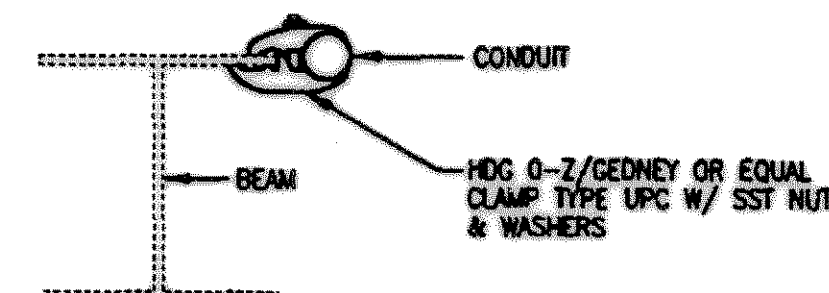


11 TYPICAL PLC RELAY CONTROL OUTPUT WIRING

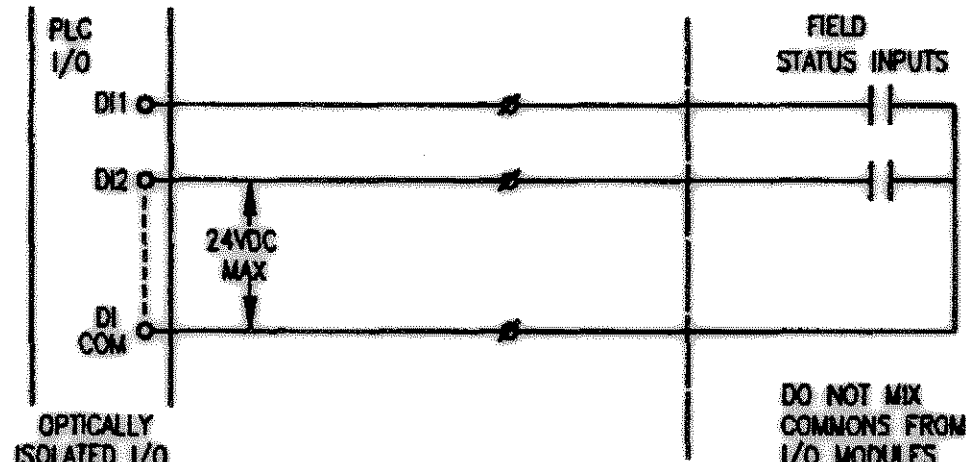


- NOTES:
- TYPICAL FOR NEW PENETRATIONS OF EXISTING WALLS, ROOFS & FLOORS.
 - REPAIR ALL DAMAGE DONE BY CORE DRILL.

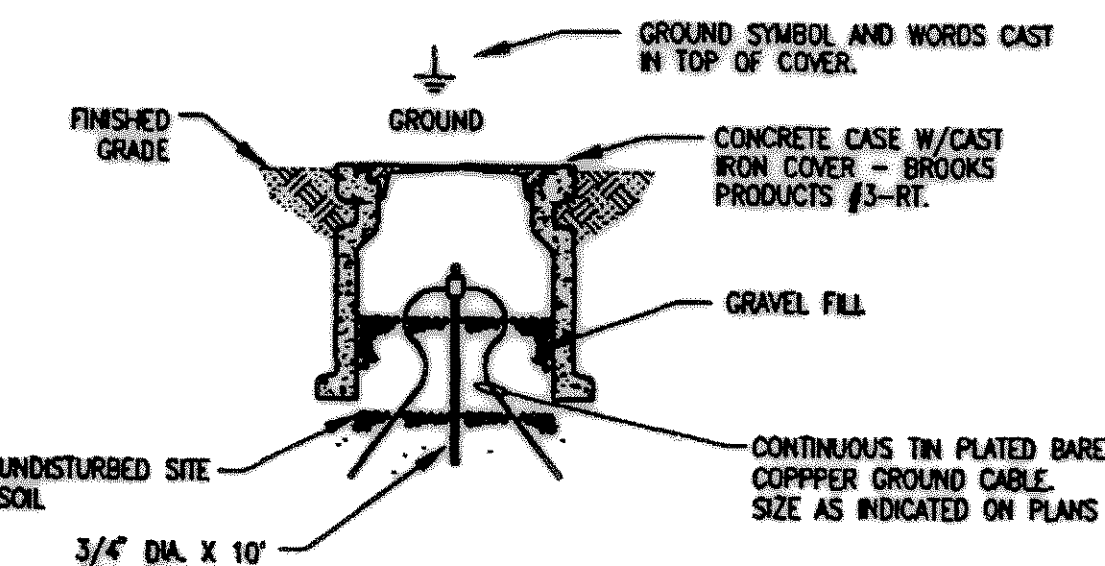
06 WATERTIGHT CONDUIT PENETRATION
NOT TO SCALE



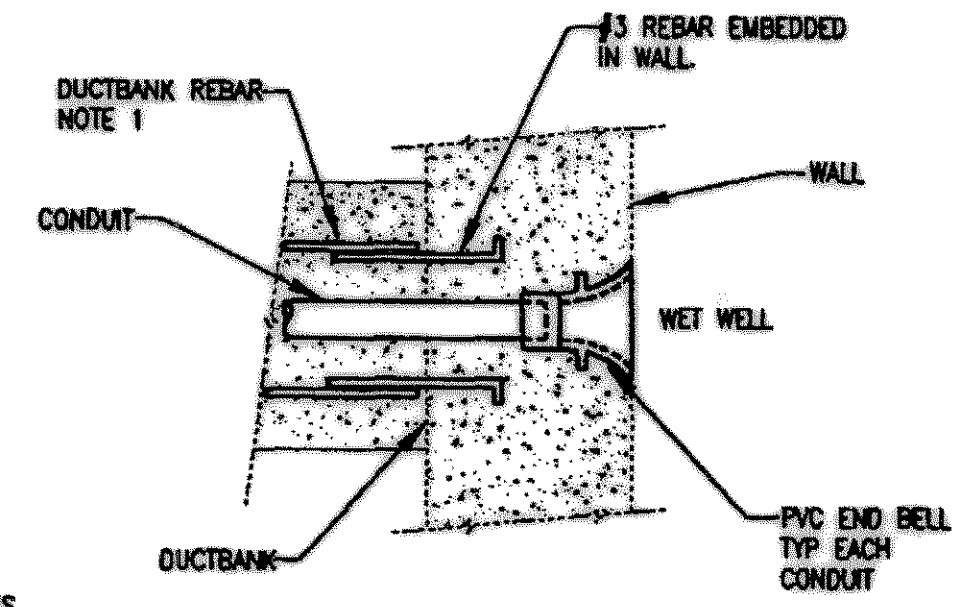
09 TYPICAL PARALLEL CONDUIT SUPPORT
NOT TO SCALE



12 TYPICAL PLC DIGITAL INPUT WIRING

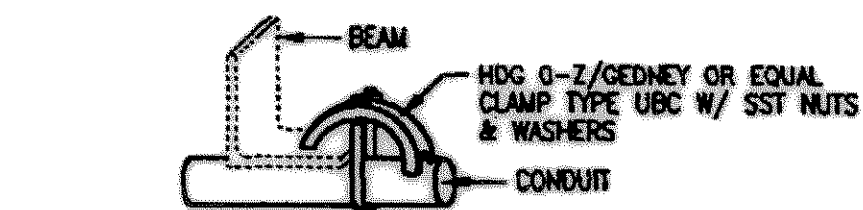


11 GROUND ROD & WELL
NOT TO SCALE



- NOTES:
- TIE DUCTBANK REBAR TO WALL REBAR WITH #16 BLACK BARE SOLID STEEL.

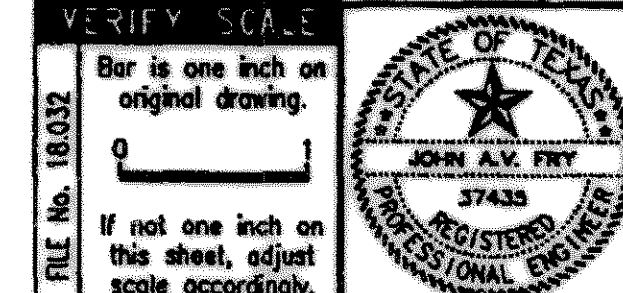
05 END BELL IN LIFT STATION WET WELL
NOT TO SCALE



10 TYPICAL RIGHT ANGLE CONDUIT SUPPORT
NOT TO SCALE

REVISED TO CONFORM TO CONSTRUCTION RECORDS BY PAC DATE 10/31/05

John M. ...
13 Dec 2001



CITY OF ROCKWALL, TEXAS

QUAIL RUN LIFT STATION ELECTRICAL DETAILS

BIRKHOFF, HENDRICKS & CONWAY, L.L.P.
CONSULTING ENGINEERS
Dallas, Texas

DESIGNED BY: J.A.V.F.	PROJECT: 2000-172	SHEET NO. E4
DRAWN BY: R.E.B.	DATE: DECEMBER 2001	OF 4 SHEETS

These plans and related specifications were prepared for construction of this specific project only. Reuse of these documents is not permitted without written authorization of Birkhoff, Hendricks, & Conway, L.L.P.