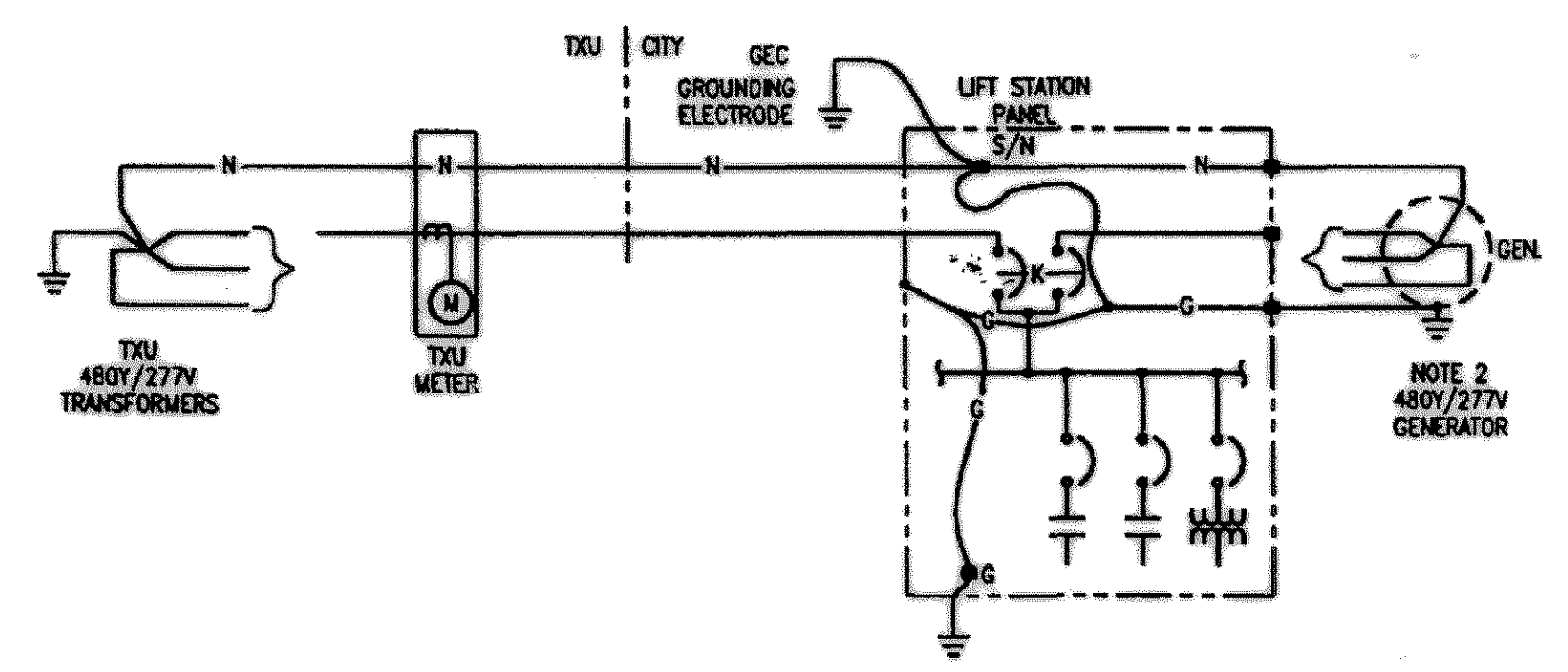


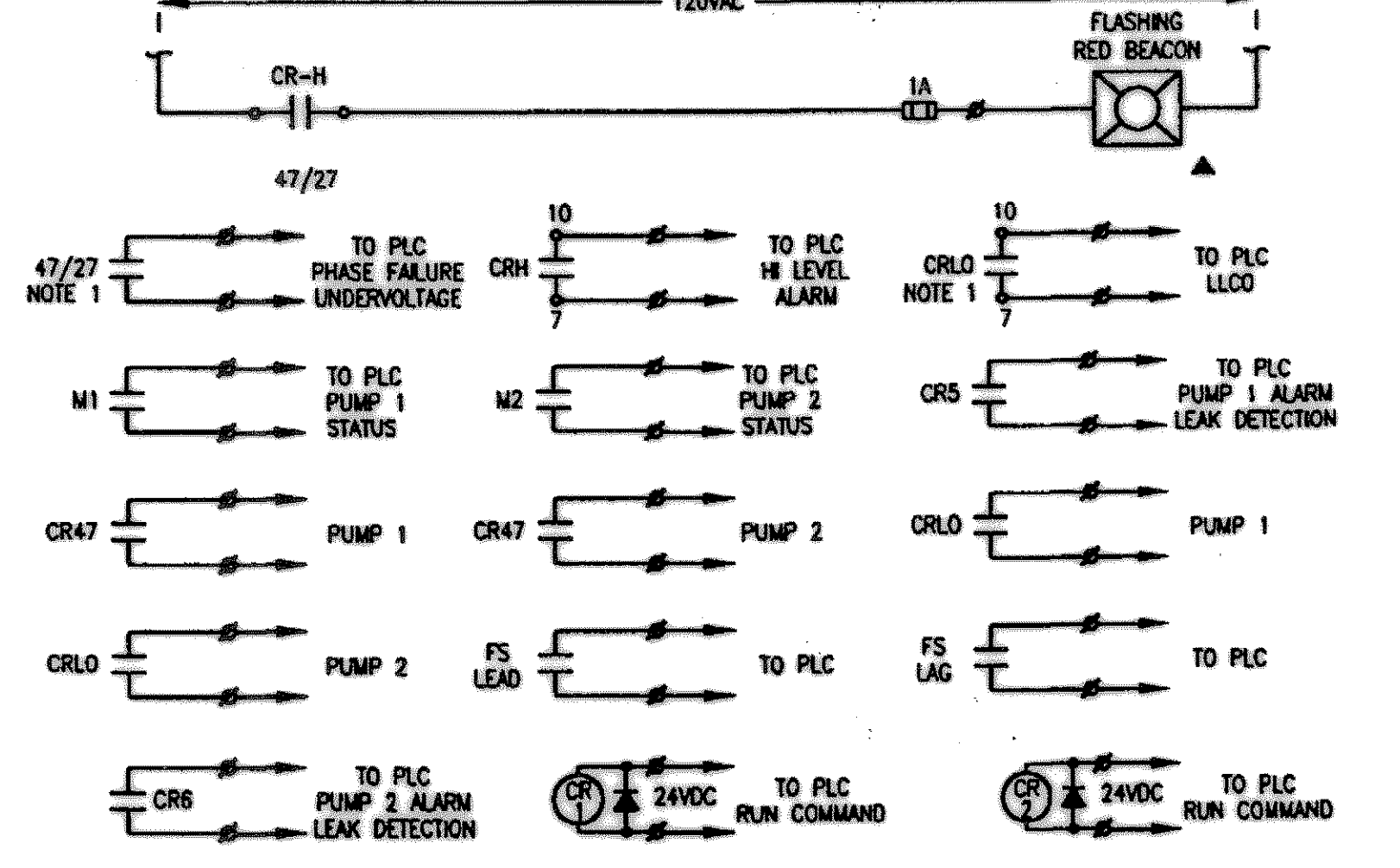
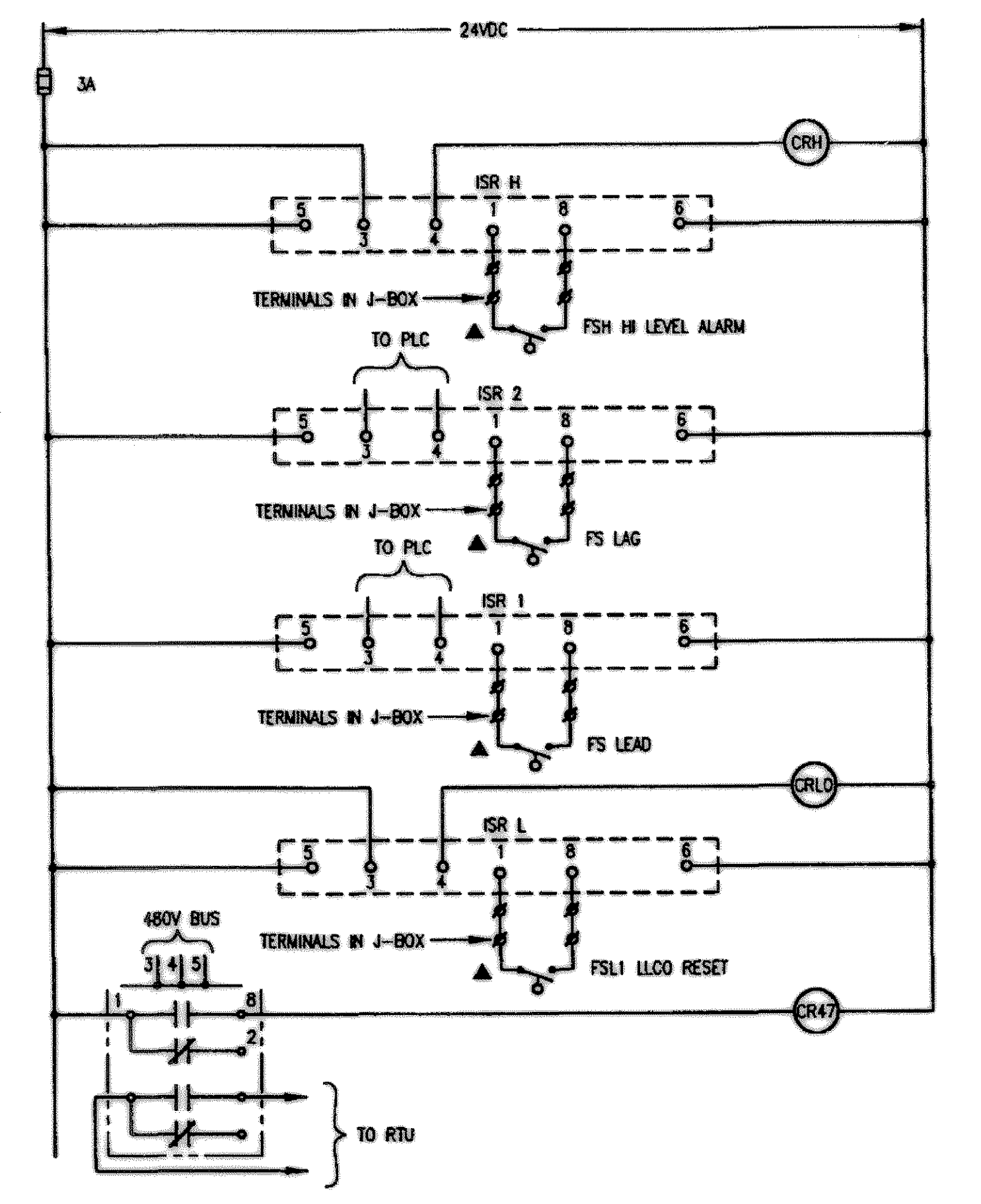
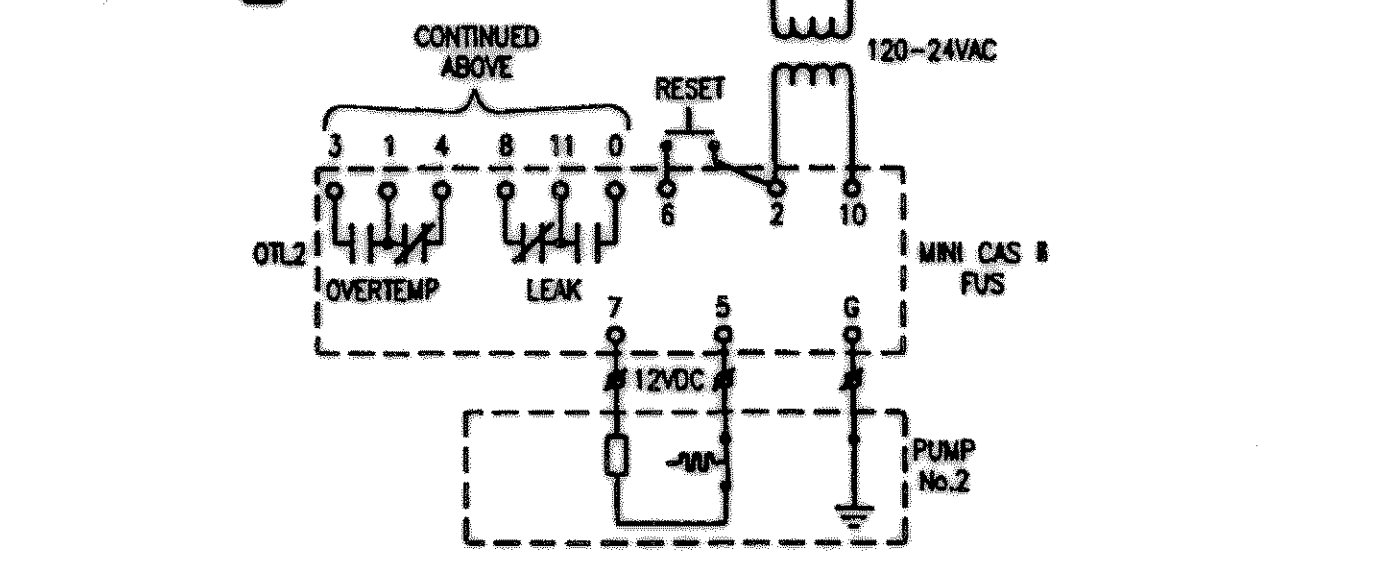
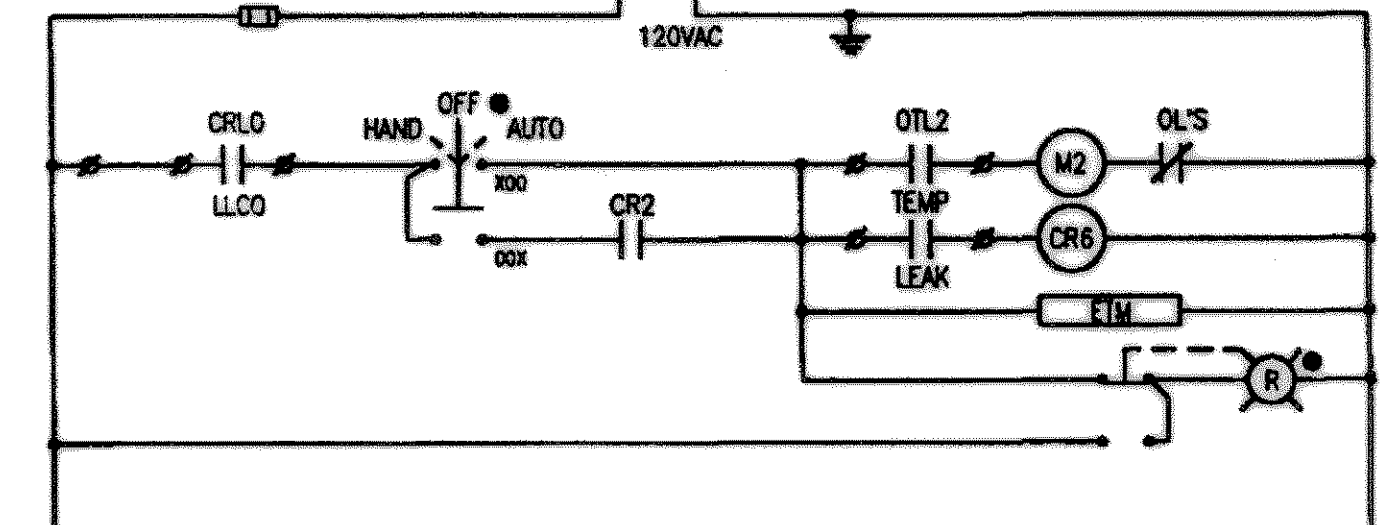
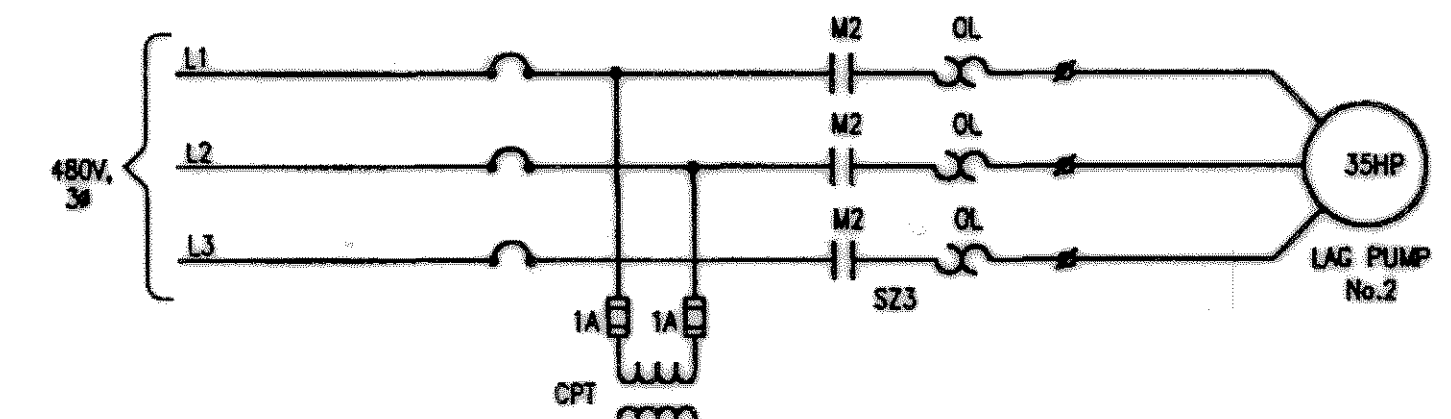
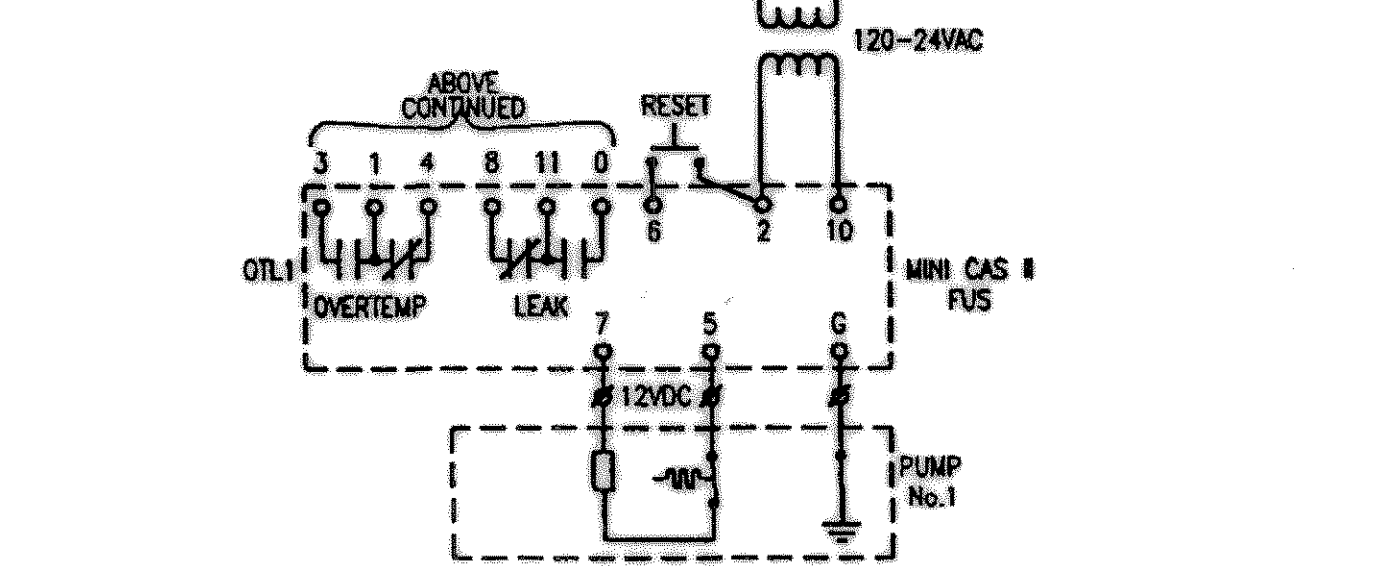
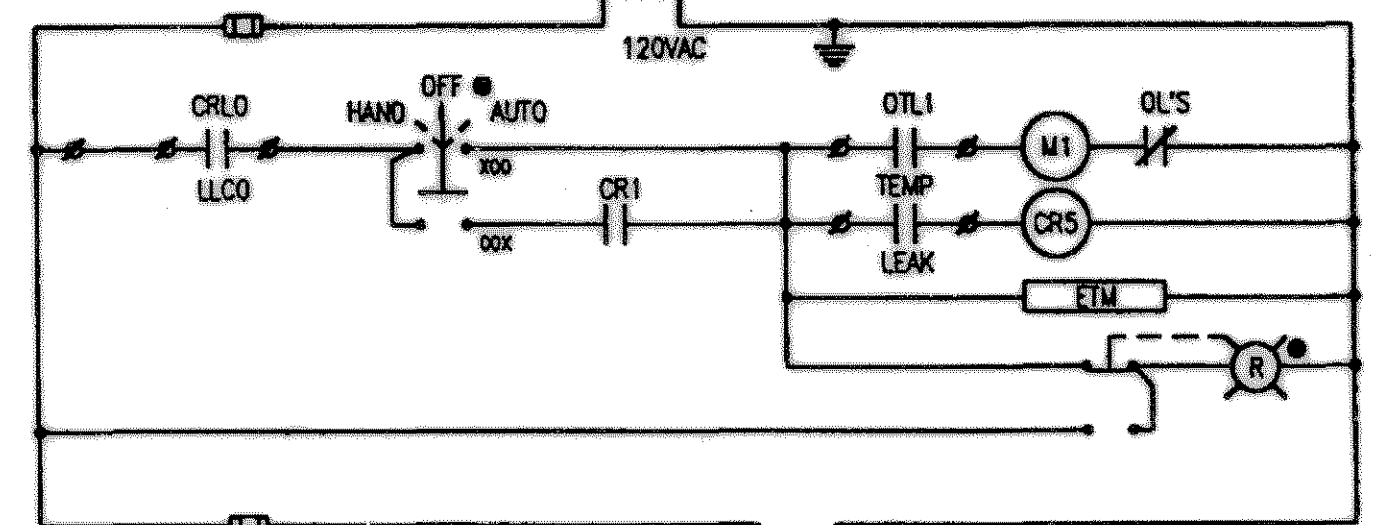
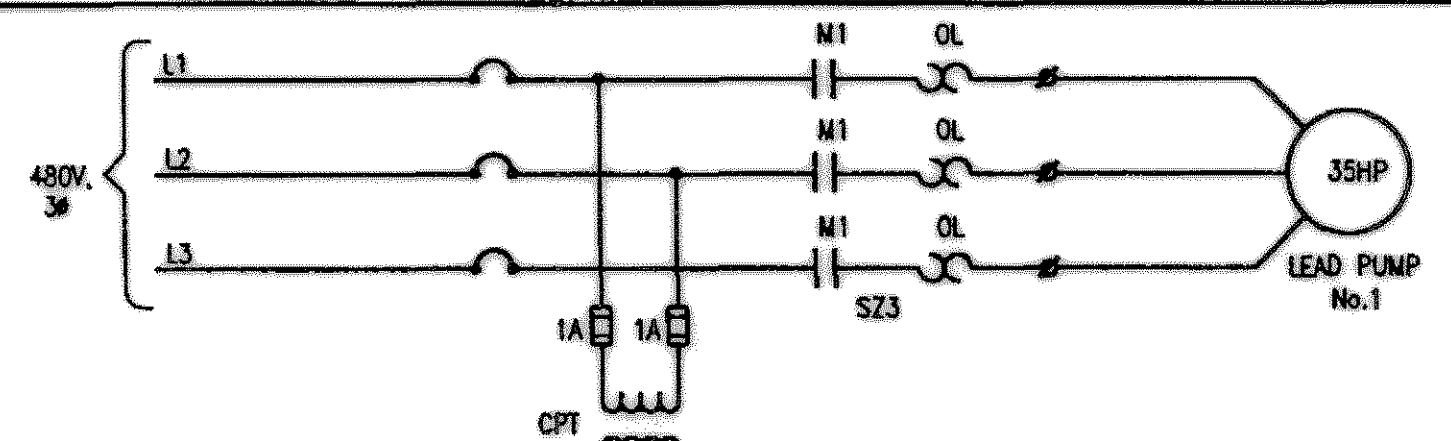
- NOTES:
1. MANUFACTURER'S CABLE. CONDUCTORS IN ONE CABLE: 3#6 (PWR), 2#10 (CTRL), 1#8 (G), 1#10 (GC).
 2. REFER TO SCHEMATICS AND SPECS FOR CONTROLS.
 3. REFER TO 480V-3Ø GROUNDING SYSTEM DIAGRAM.
 4. DESIGN FOR FUTURE 60 HP PUMPS. LEAVE ROOM TO REPLACE PUMP CIRCUIT BREAKERS WITH 125A CIRCUIT BREAKERS.
 5. KIRK-KEY MAIN CIRCUIT BREAKERS. ONLY ONE CLOSED AT A TIME. BOTH MAIN AND GENERATOR CIRCUIT BREAKERS SHALL BE SERVICE ENTRANCE RATED AND LABELED.

ONE LINE DIAGRAM - QUAIL RUN LIFT STATION



- NOTES:
1. PROVIDE SIGN AT SERVICE ENTRANCE PER NEC ARTICLE 702-8 SIGNS.
 2. GROUND GENERATOR NEUTRAL ONLY AT THE SERVICE ENTRANCE C.B.
 3. G.E.C. SHALL BE #2/0 AWG.

480V 3Ø GROUNDING SYSTEM DIAGRAM



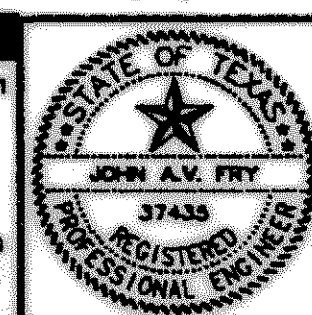
- NOTES:
1. CONTACT CLOSED UNDER NORMAL CONDITIONS.
 2. FLOAT BACKUP FUNCTION IS INTENDED TO START ONE SELECTED PUMP ON HIGH LEVEL. PURPOSE IS TO PROVIDE BACKUP TO A FAILED RTU. PUMP RUNS TO LOW LEVEL CUTOFF.

CONTROL SCHEMATIC-PUMP CONTROL PANEL

REVISED TO CONFORM TO CONSTRUCTION RECORDS BY *PAC* DATE 10/31/05

John A.V. Fry
13 Dec 01

VERIFY SCALE
Bar is one inch on original drawing.
If not one inch on this sheet, adjust scale accordingly.



CITY OF ROCKWALL, TEXAS

QUAIL RUN LIFT STATION

ONE LINE DIAGRAM & SCHEMATICS

BIRKHOFF, HENDRICKS & CONWAY, L.L.P.
CONSULTING ENGINEERS
Dallas, Texas

DESIGNED BY: J.A.V.F. PROJECT: 2000-172
DRAWN BY: R.E.B. DATE: DECEMBER 2001 SHEET NO. E2 OF 4 SHEETS

These plans and related specifications were prepared for construction of this specific project only. Reuse of these documents is not permitted without written authorization of Birkhoff, Hendricks, & Conway, L.L.P.