

1 WALL SECTION 1
3/8" = 1'-0"

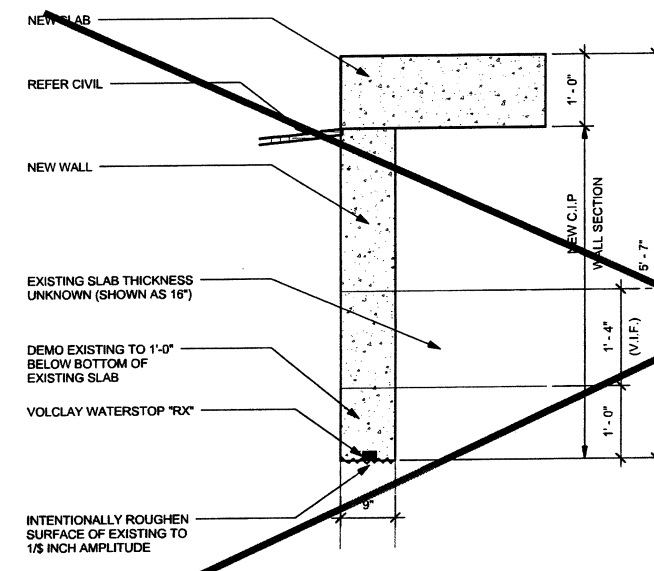
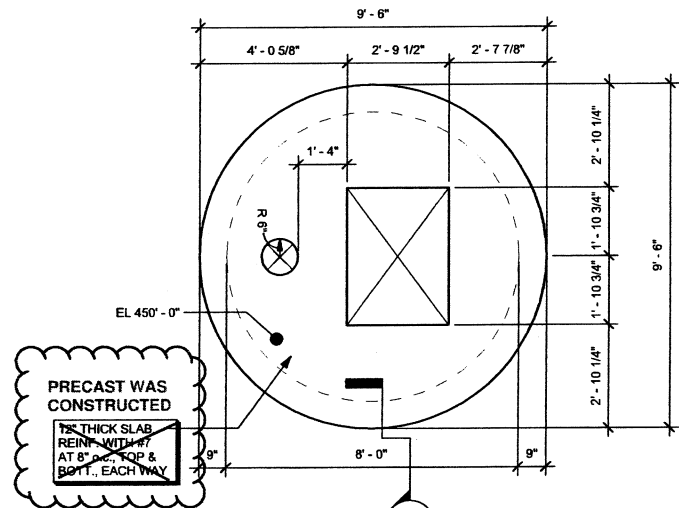
2 WALL SECTION 2
3/8" = 1'-0"

3 WALL SECTION 3
3/8" = 1'-0"

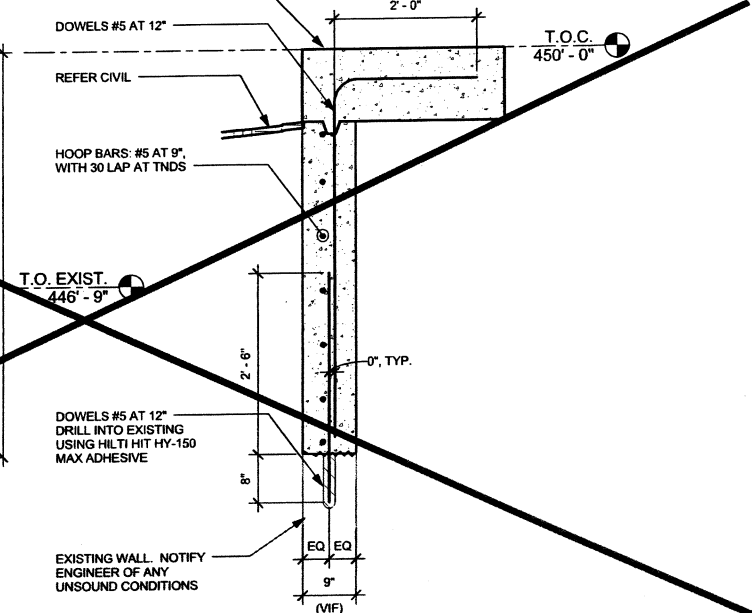
4 WALL SECTION 4
3/8" = 1'-0"

5 TYPICAL WALL REINFORCING
3/4" = 1'-0"

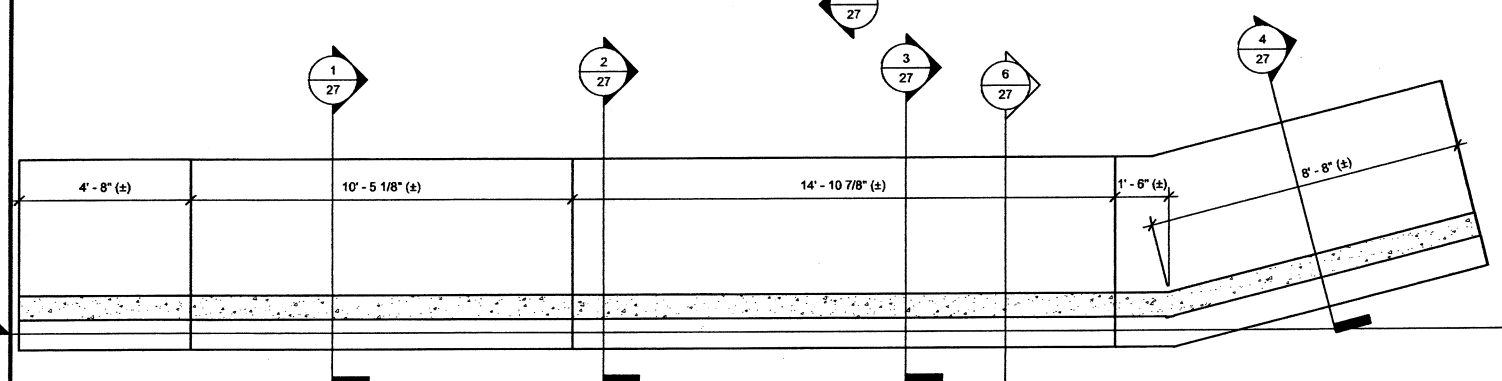
6 TYPICAL WALL BACKFILL
3/4" = 1'-0"



7 WALL GEOMETRY SECTION
3/4" = 1'-0"



8 WALL REINFORCING SECTION
3/4" = 1'-0"



0 PLAN
3/8" = 1'-0"



9 SCHEMATIC ISOMETRIC VIEW

NOTE: LINEAR DIMENSIONS ARE APPROXIMATE. REFER TO CIVIL DRAWINGS FOR EXACT LOCATION AND LENGTH.

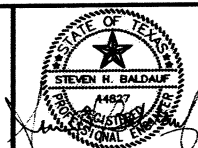
THE SEAL APPEARING ON THIS DOCUMENT WAS AUTHORIZED BY:
STEVEN H. BALDAUF, P.E. 44827
ON January 06, 2014
TEXAS REGISTERED ENGINEER FIRM F-8993

This record drawing is a compilation of the sealed engineering drawing for this project, modified by addenda, change orders and information furnished by the contractor. The information shown on the record drawings that was provided by the contractor or others not associated with the design engineer cannot be verified for accuracy or completeness. This original sealed drawings are on file at the offices of Birkhoff, Hendricks & Carter, L.L.P.
BY M.H. DATE 06/03/2015

No.	Description	Date

These plans and related specifications were prepared for construction of this specific project only. Reuse of these documents is not permitted without written authorization of Birkhoff, Hendricks & Carter, L.L.P.
If this drawing is converted to an electronic file, if any discrepancy occurs between the electronic file and the Birkhoff, Hendricks & Carter, L.L.P. original document, the original document will govern in all cases.

BIRKHOFF, HENDRICKS & CARTER, L.L.P.
PROFESSIONAL ENGINEERS
Texas Firm F526
11910 Greenville Ave., Suite 600
Dallas, Texas 75243 (214) 361-7900



BALDAUF & HERRIN & ASSOCIATES, INC.
STRUCTURAL ENGINEERS
9603 White Rock Trail
Suite 207
Dallas, TX 75238
214-341-4850 fax
214-341-7575 vox
TEXAS FIRM F-8993

City of Rockwall, Texas
Northshore Lift Station
PLAN, SECTIONS & DETAILS

BHC
PROJECT NO.
2013-119
January 06, 2014

SHEET NO.
27