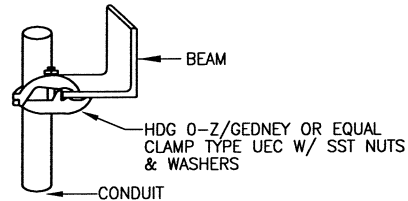
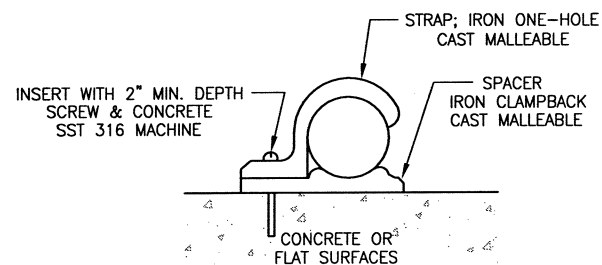


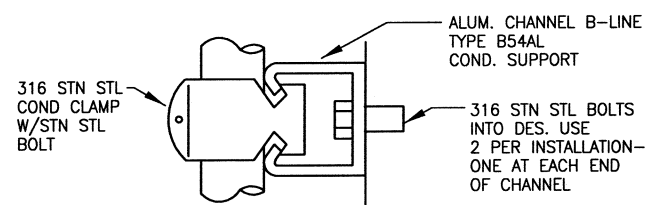
**01 TYPICAL RIGHT ANGLE CONDUIT SUPPORT**  
NOT TO SCALE



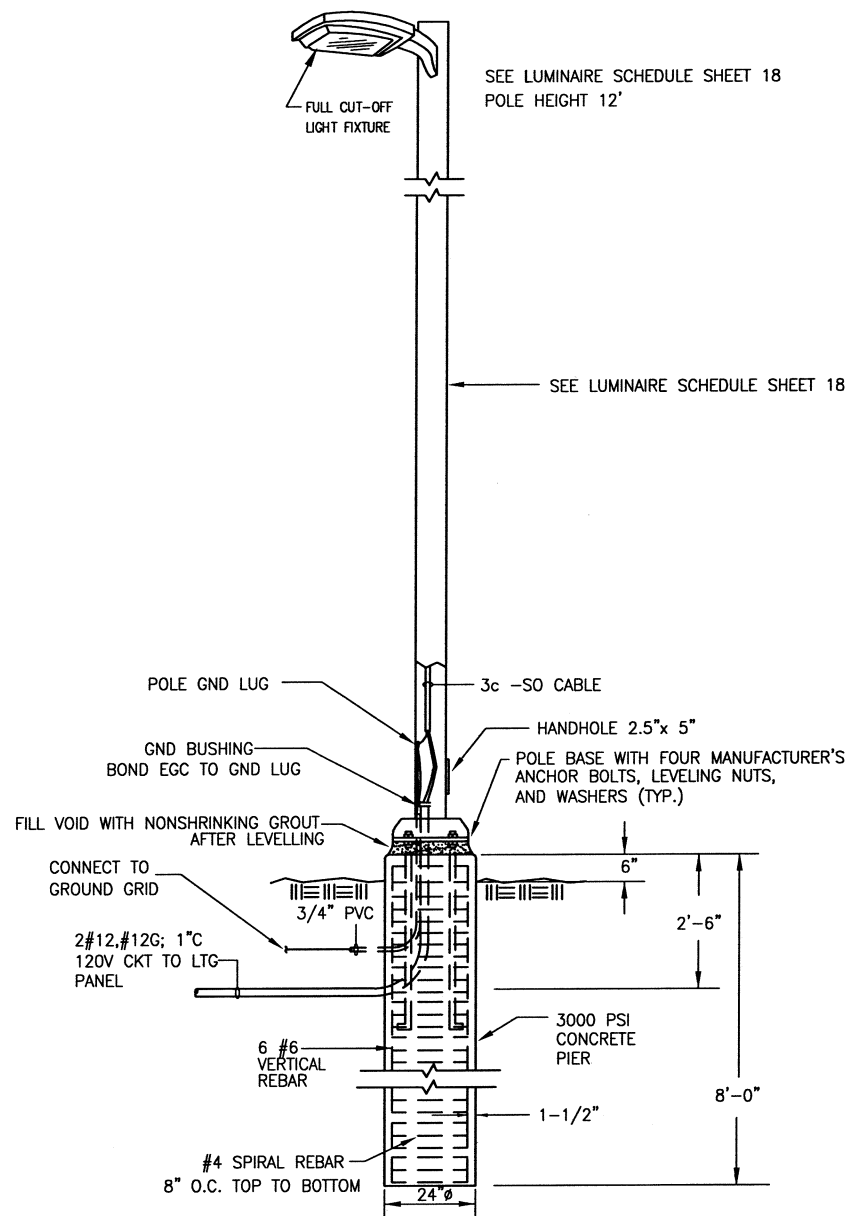
**02 TYPICAL EDGE TYPE CONDUIT SUPPORT**  
NOT TO SCALE



**03 TYPICAL CONDUIT SUPPORT SINGLE CONDUIT**  
NOT TO SCALE

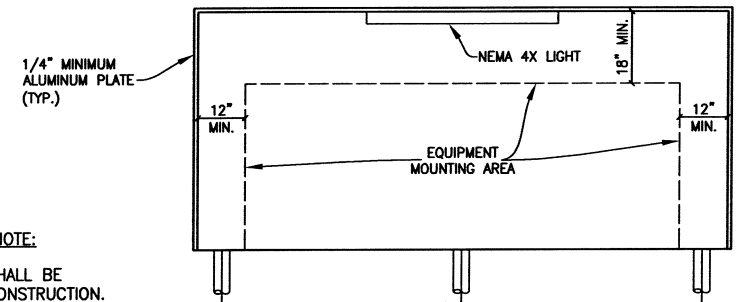


**04 TYPICAL CONDUIT SUPPORT ON CONCRETE STRUCTURES FOR MULTIPLE CONDUIT RUNS**  
NOT TO SCALE



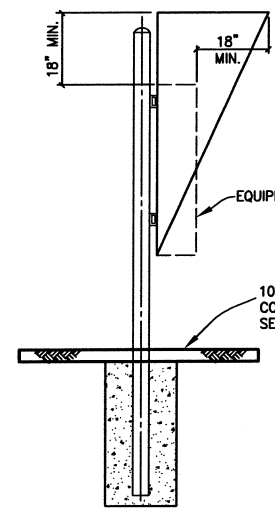
- NOTES:
1. MOUNTING HARDWARE SHALL BE HDG.
  2. ALL CONDUIT BENDS TO GRADE SHALL BE "PLASTIBOND".

**06 POLE MOUNTED LTG FIXTURE TYPE MARK "A"**  
NOT TO SCALE

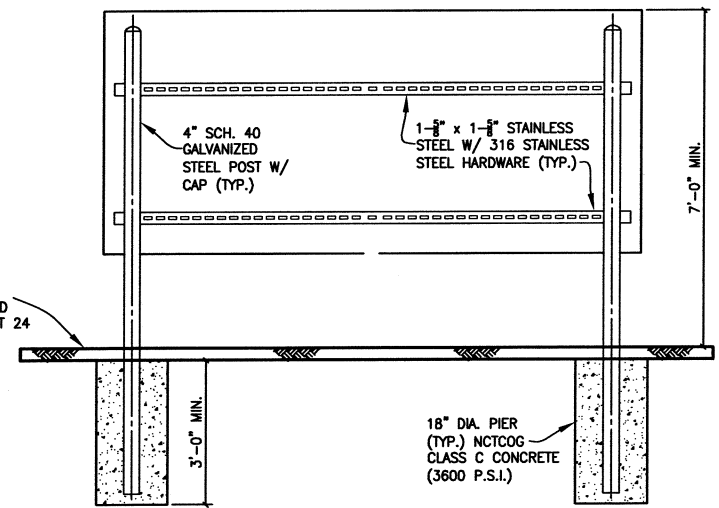


EQUIPMENT AWNING NOTE:  
ALUMINUM AWNING SHALL BE OF FULLY WELDED CONSTRUCTION.

**EQUIPMENT AWNING (FRONT)**



**EQUIPMENT AWNING (SIDE)**



**EQUIPMENT AWNING (BACK)**

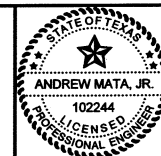
**07 EQUIPMENT AWNING DETAILS**  
NOT TO SCALE

*This record drawing is a compilation of the sealed engineering drawing for this project; modified by addenda, change orders and information furnished by the contractor. The information shown on the record drawings that was provided by the contractor or others not associated with the design engineer cannot be verified for accuracy or completeness. This original sealed drawings are on file at the offices of Birkhoff, Hendricks & Carter, L.L.P.*

BY MH DATE 06/08/15

These plans and related specifications were prepared for construction of this specific project only. Reuse of these documents is not permitted without written authorization of Birkhoff, Hendricks & Carter, L.L.P. If this drawing is converted to an electronic file, if any discrepancy occurs between the electronic file and the Birkhoff, Hendricks & Carter, L.L.P. original document, the original document will govern in all cases.

**BIRKHOFF, HENDRICKS & CARTER, L.L.P.**  
PROFESSIONAL ENGINEERS  
Texas Firm F526  
11910 Greenville Ave., Suite 600  
Dallas, Texas 75243 (214) 361-7900



*Andrew Mata, Jr.*  
1/2/14

**CITY OF ROCKWALL, TEXAS**  
NORTHSHORE LIFT STATION  
ELECTRICAL DETAILS II

BHC  
PROJECT NO.  
2013-119  
January 2014

SHEET NO.  
**23**