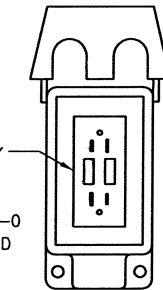


This record drawing is a compilation of the sealed engineering drawing for this project; modified by addenda, change orders and information furnished by the contractor. The information shown on the record drawings that was provided by the contractor or others not associated with the design engineer cannot be verified for accuracy or completeness. This original sealed drawings are on file at the offices of Birkhoff, Hendricks & Carter, L.L.P.

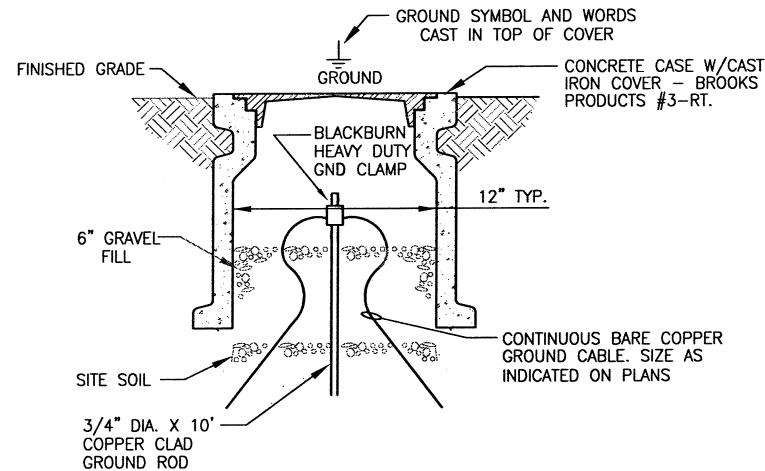
BY MH DATE 06/08/15



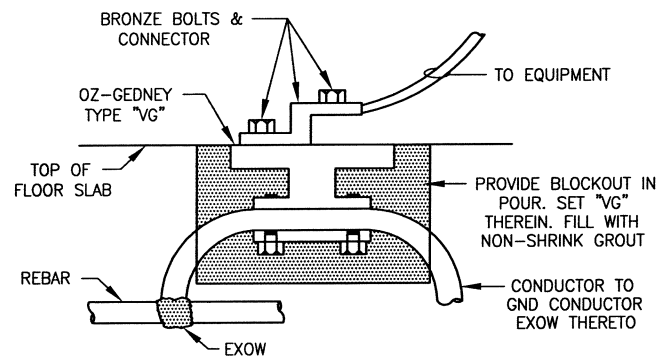
BYRANT #GFR82FT-GRY HOSPITAL GRADE, 20 AMP GFCI RECEPTACLE WITH BYRANT #RB5781-0 WEATHERPROOF FLIP LID DEEP COVER

NOTES:

1. FLIP LID SHOWN HELD OPEN.
2. ATTACH TO WALL WITH 1/4" 304 STN STL BOLT INTO DRILLED EXPANSION SHIELD. ATTACHED TO STANCHION OR METAL PLATE WITH 1/4" 304 STN STL BOLTS, WASHERS, AND NUTS.
3. COVERS SHALL BE SUITABLE FOR WET LOCATIONS & SHALL BE GASKETED.
4. COVER WITH PLUG CAP INSERTED SHALL CARRY UL WET-OR-DAMP LOCATION LISTING.
5. PROVIDE ONE ASSEMBLY FOR EACH WP/GFCI LOCATION.

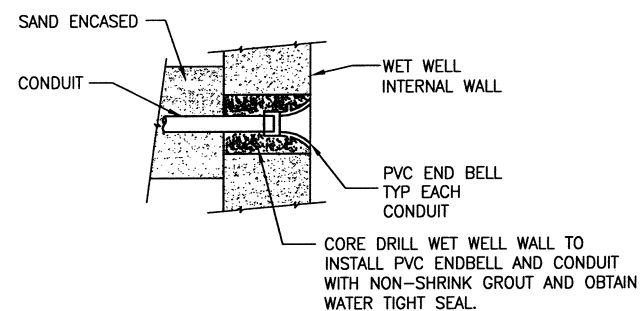


01 GROUND ROD & WELL
NOT TO SCALE

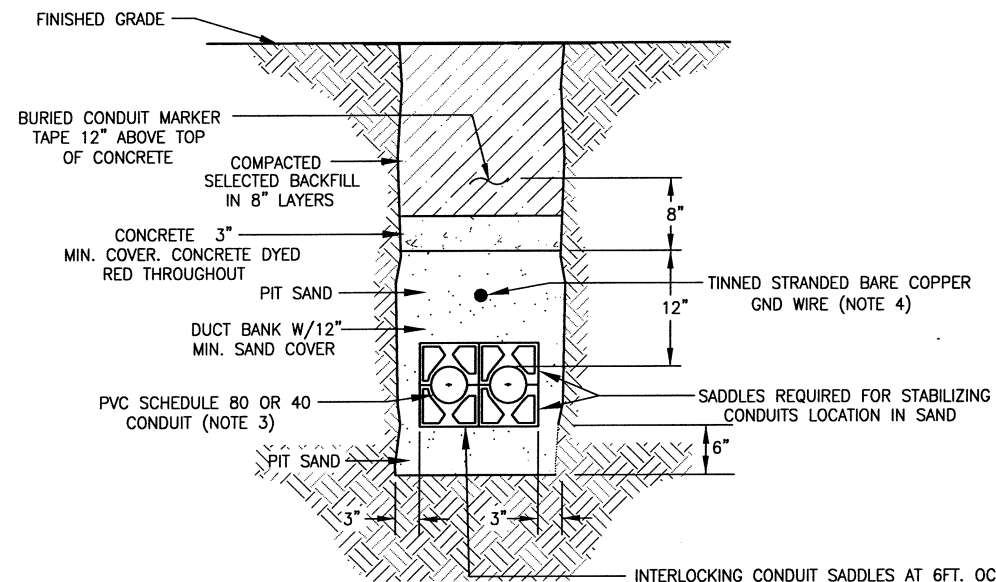


1. FURNISH & INSTALL ON MOV "WARNING CONTROL POWER PRESENT FROM RTU PANEL" W/ RED BACKGROUND W/ ENGRAVED WHITE LETTERS.

02 IN-SLAB GROUNDING CONDUCTOR VG CONNECTOR
NOT TO SCALE



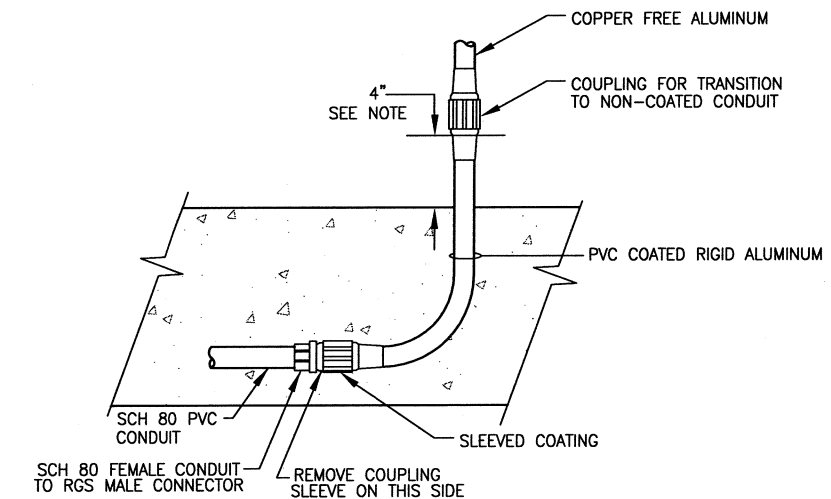
03 END BELL IN LIFT STATION WET WELL
NOT TO SCALE



NOTES:

1. ALL INSTALLATION OF UNDERGROUND DUCT BANK SHALL MEET THE SITE PREP., EXCAVATION, BACKFILL, AND CONCRETE REQUIREMENTS OF THE SPECIFICATIONS.
2. DUCT BANK SPACERS, RACEWAY IDENTIFIERS AND MARKERS SHALL BE PER SPECIFICATION. PVC COATED CONDUIT SHALL BE USED FOR TRANSITION FROM BELOW GRADE TO ABOVE GRADE TO MIN. 6" ABOVE GRADE.
3. ALL CONDUITS TO BE USED FOR UTILITY SERVICE ENTRANCE SHALL BE SCHEDULE 80 PVC CONDUITS. INSTRUMENT CONDUITS SHALL BE PVC COATED GALVANIZED STEEL.
4. GROUND WIRE SHALL BE SAME SIZE AS GROUND RING OR AS DESIGNATED.

05 PIT SAND CONCRETE COVERED U/G CONDUIT DUCT BANK
NOT TO SCALE



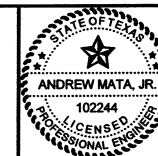
NOTE:

1. PVC COATED CONDUIT SHALL EXTEND TO A MINIMUM OF 4" ABOVE SLAB IF CONDUIT EXTENDS FURTHER TO EQUIPMENT.
2. INSTRUMENTATION OF CONDUIT SHALL BE P.V.C. COATED H.D. GALVANIZED CONDUIT.

07 IN-SLAB CONDUIT RUN
NOT TO SCALE

These plans and related specifications were prepared for construction of this specific project only. Reuse of these documents is not permitted without written authorization of Birkhoff, Hendricks & Carter, L.L.P. If this drawing is converted to an electronic file, if any discrepancy occurs between the electronic file and the Birkhoff, Hendricks & Carter, L.L.P. original document, the original document will govern in all cases.

BIRKHOFF, HENDRICKS & CARTER, L.L.P.
PROFESSIONAL ENGINEERS
Texas Firm F526
11910 Greenville Ave., Suite 600
Dallas, Texas 75243 (214) 361-7900



Andrew Mata, Jr.
1/2/14

CITY OF ROCKWALL, TEXAS
NORTHSHORE LIFT STATION
ELECTRICAL DETAILS I

BHC
PROJECT NO.
2013-119
January 2014

SHEET NO.
22