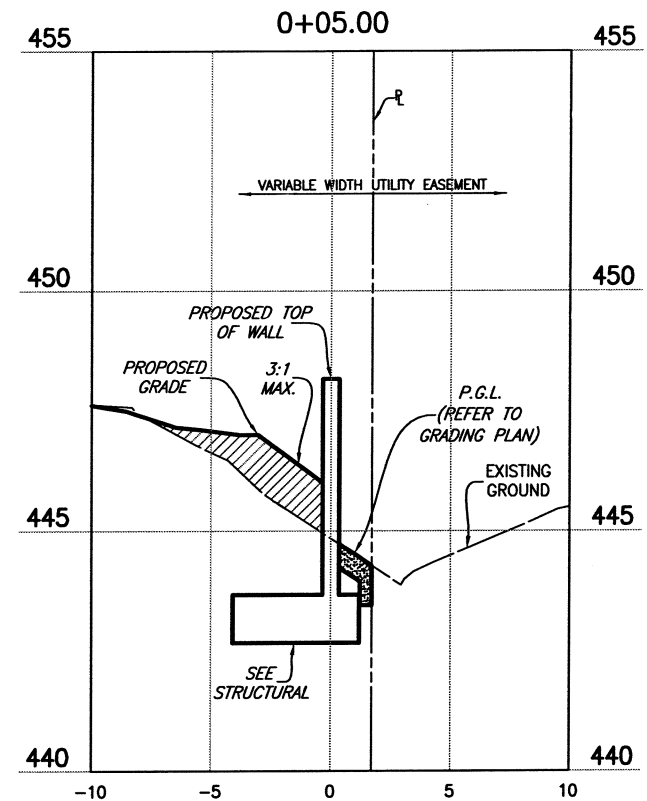
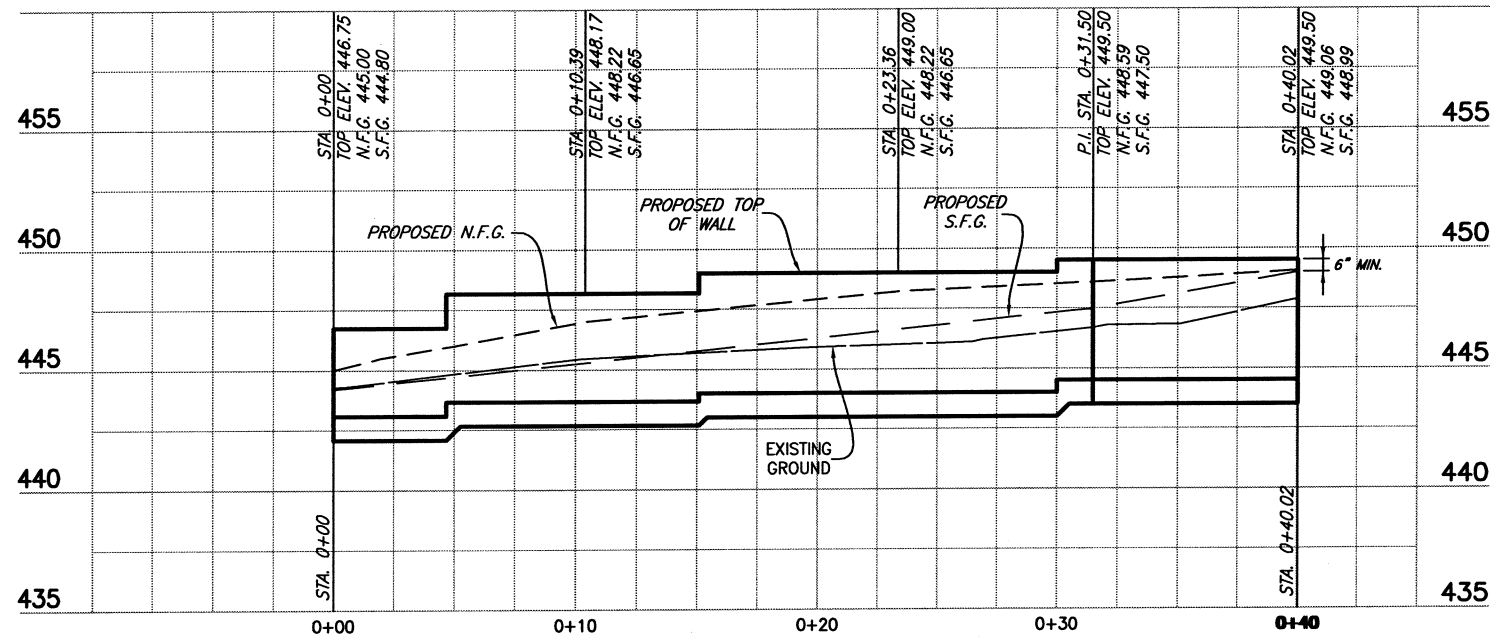


RETAINING WALL PROFILE

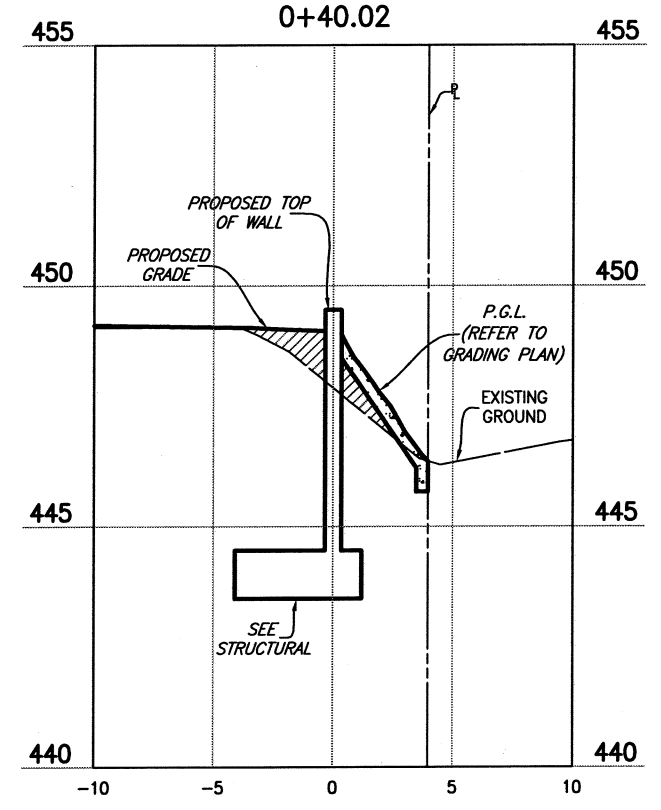
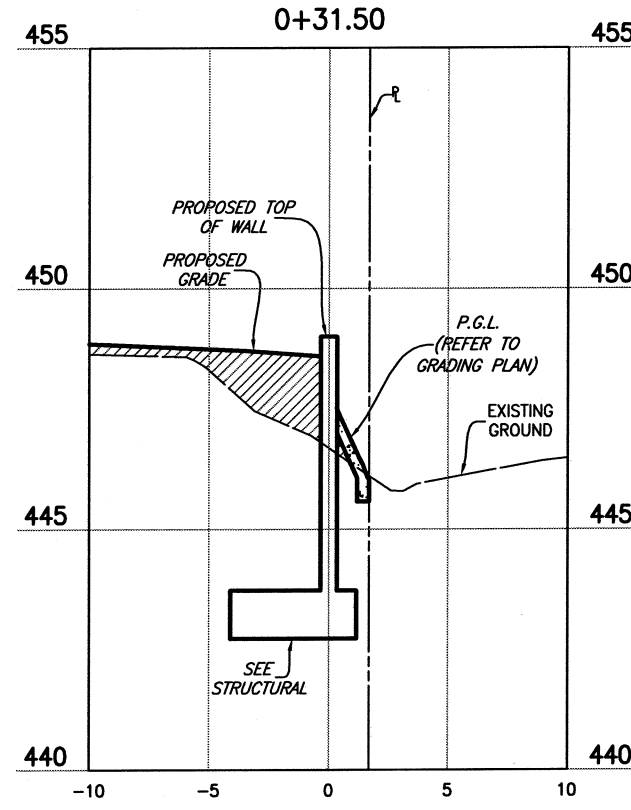
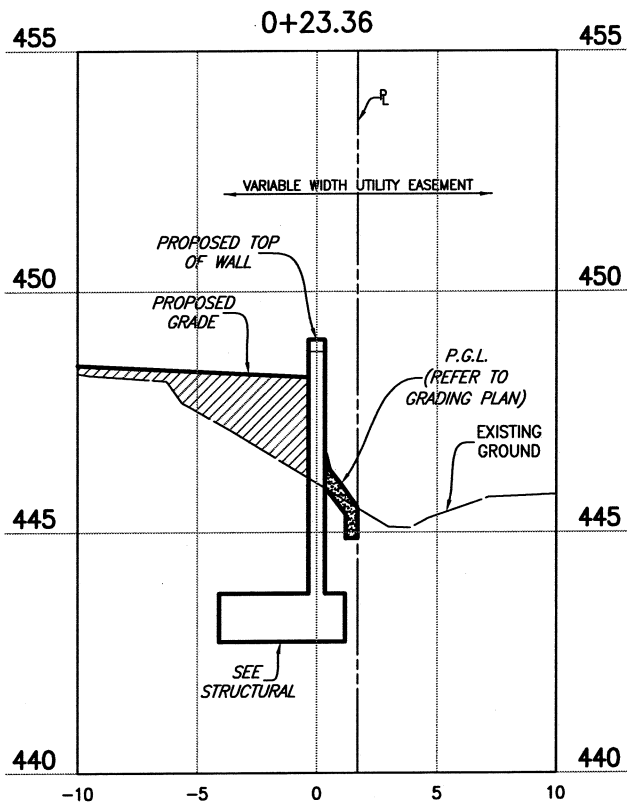
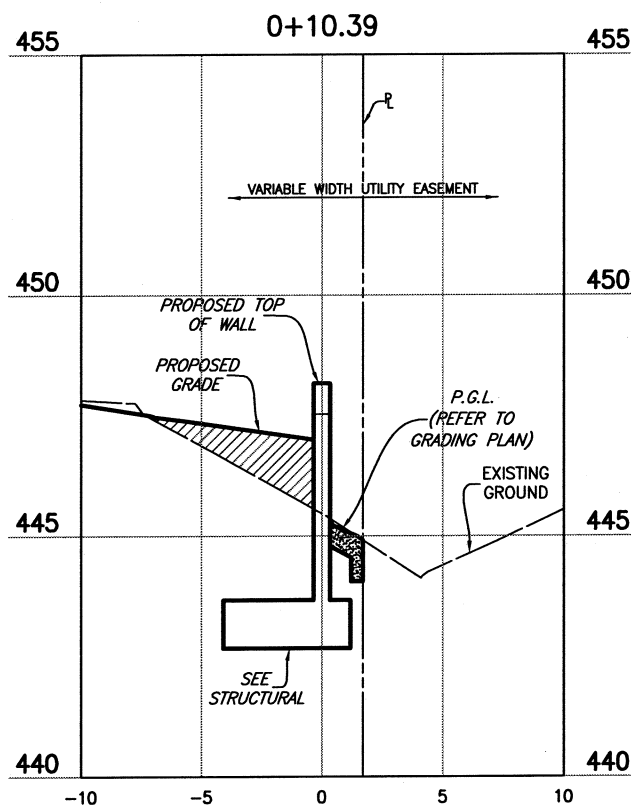


LEGEND

- FILL - REFER TO STRUCTURAL WALL BACK FILL DETAIL NOTES AND PAVING PLANS FOR BACKFILL MATERIAL AND COMPACTION REQUIREMENTS
- PROPOSED CONCRETE RIP-RAP CONSTRUCT 6"x6" TOE ALONG FULL WIDTH OF RIP-RAP
- PROPOSED REINFORCED CONCRETE RIP-RAP CONSTRUCT 6"x6" TOE ALONG FULL WIDTH OF RIP-RAP

NOTE:
1. N.F.G. = NORTH FINISHED GRADE AT WALL
S.F.G. = SOUTH FINISHED GRADE AT WALL

This record drawing is a compilation of the sealed engineering drawing for this project; modified by addenda, change orders and information furnished by the contractor. The information shown on the record drawings that was provided by the contractor or others not associated with the design engineer cannot be verified for accuracy or completeness. This original sealed drawings are on file at the offices of Birkhoff, Hendricks & Carter, L.L.P.
BY MH DATE 06/08/15



These plans and related specifications were prepared for construction of this specific project only. Reuse of these documents is not permitted without written authorization of Birkhoff, Hendricks & Carter, L.L.P. If this drawing is converted to an electronic file, if any discrepancy occurs between the electronic file and the Birkhoff, Hendricks & Carter, L.L.P. original document, the original document will govern in all cases.

BIRKHOFF, HENDRICKS & CARTER, L.L.P.
PROFESSIONAL ENGINEERS
Texas Firm F526
11910 Greenville Ave., Suite 600
Dallas, Texas 75243 (214) 361-7900



Matthew Hickey
1/2/14

CITY OF ROCKWALL, TEXAS
NORTHSHORE LIFT STATION
PROPOSED RETAINING WALL PROFILE & SECTIONS

BHC
PROJECT NO.
2013-119
January 2014

SHEET NO.
11