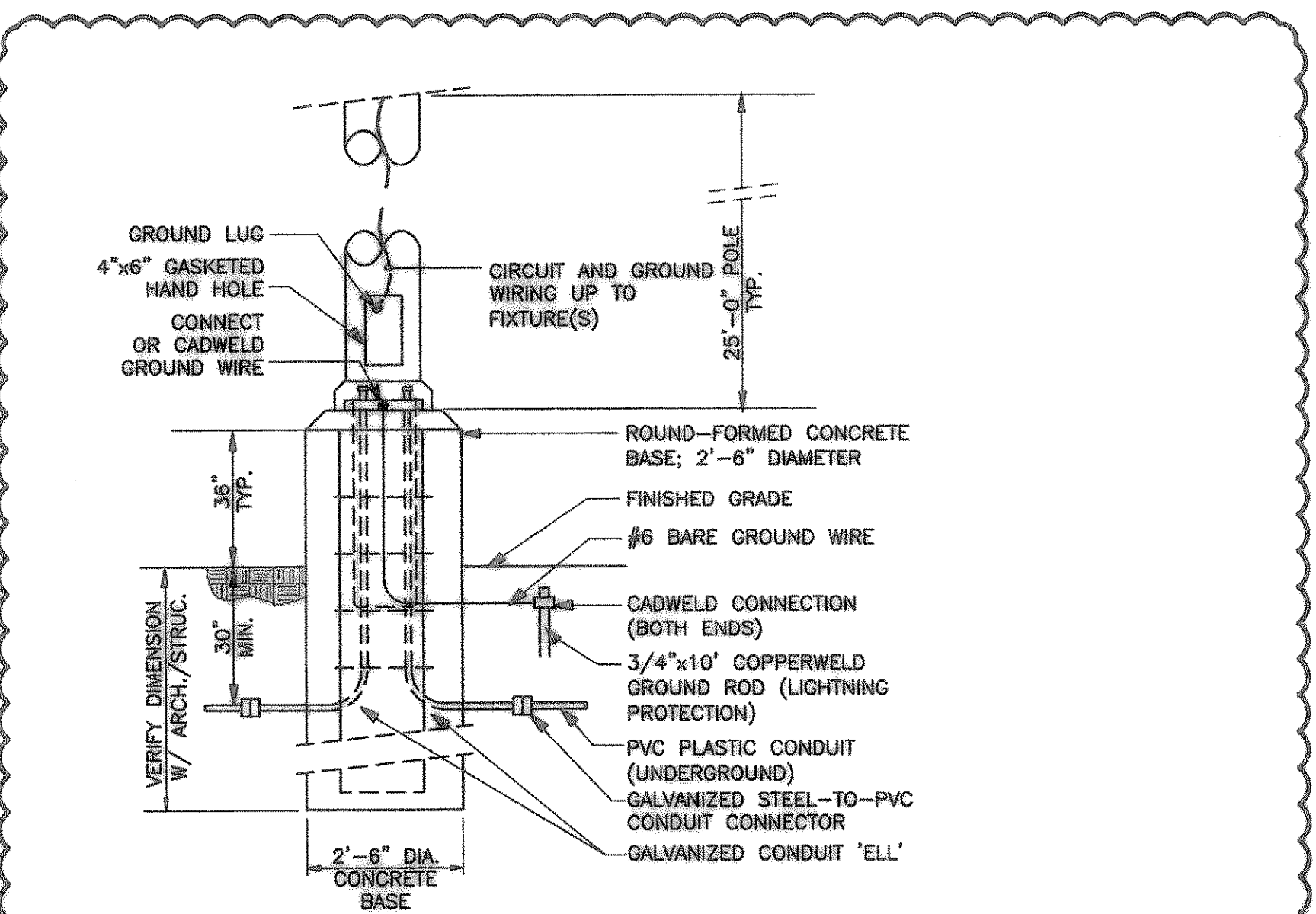
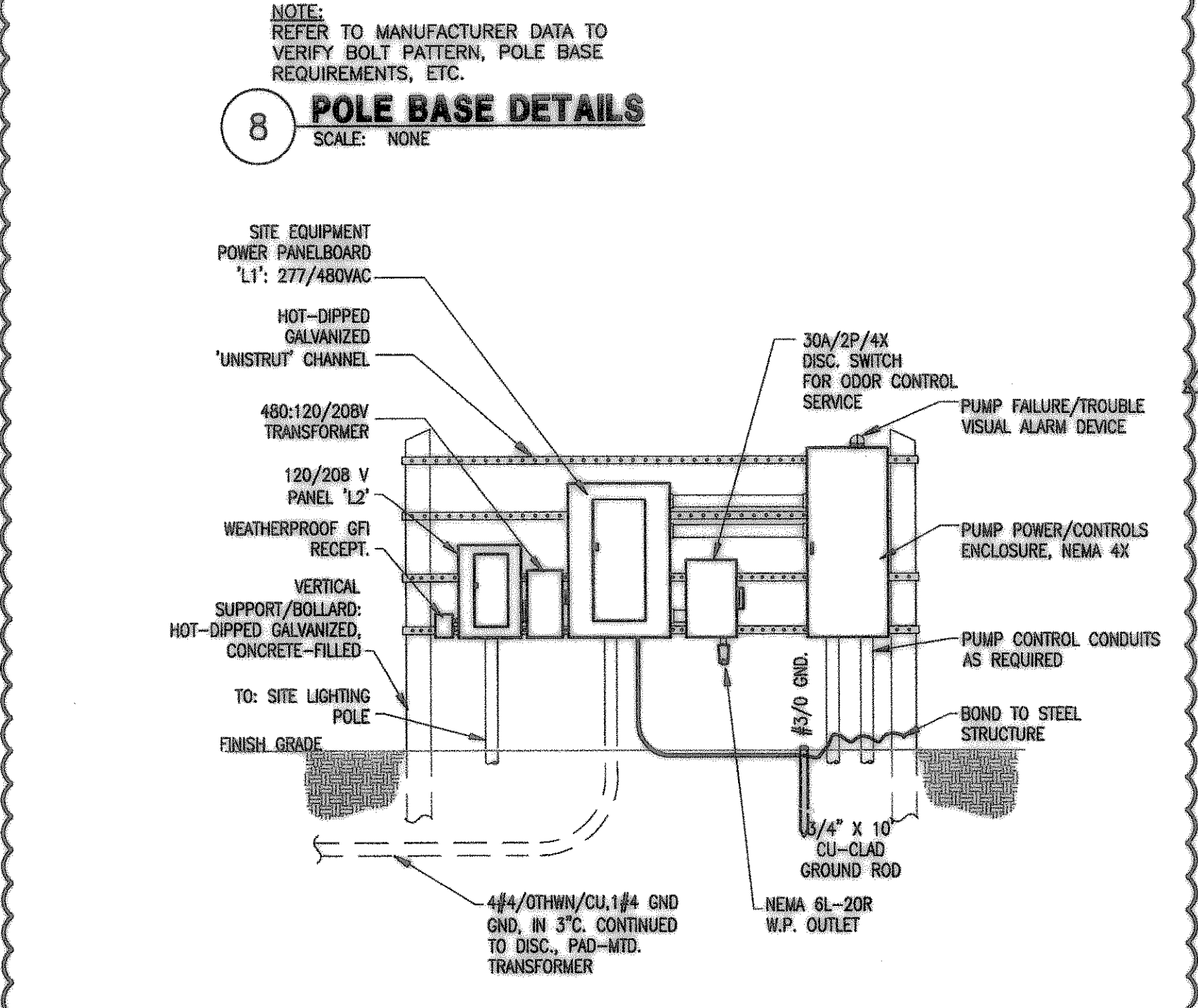


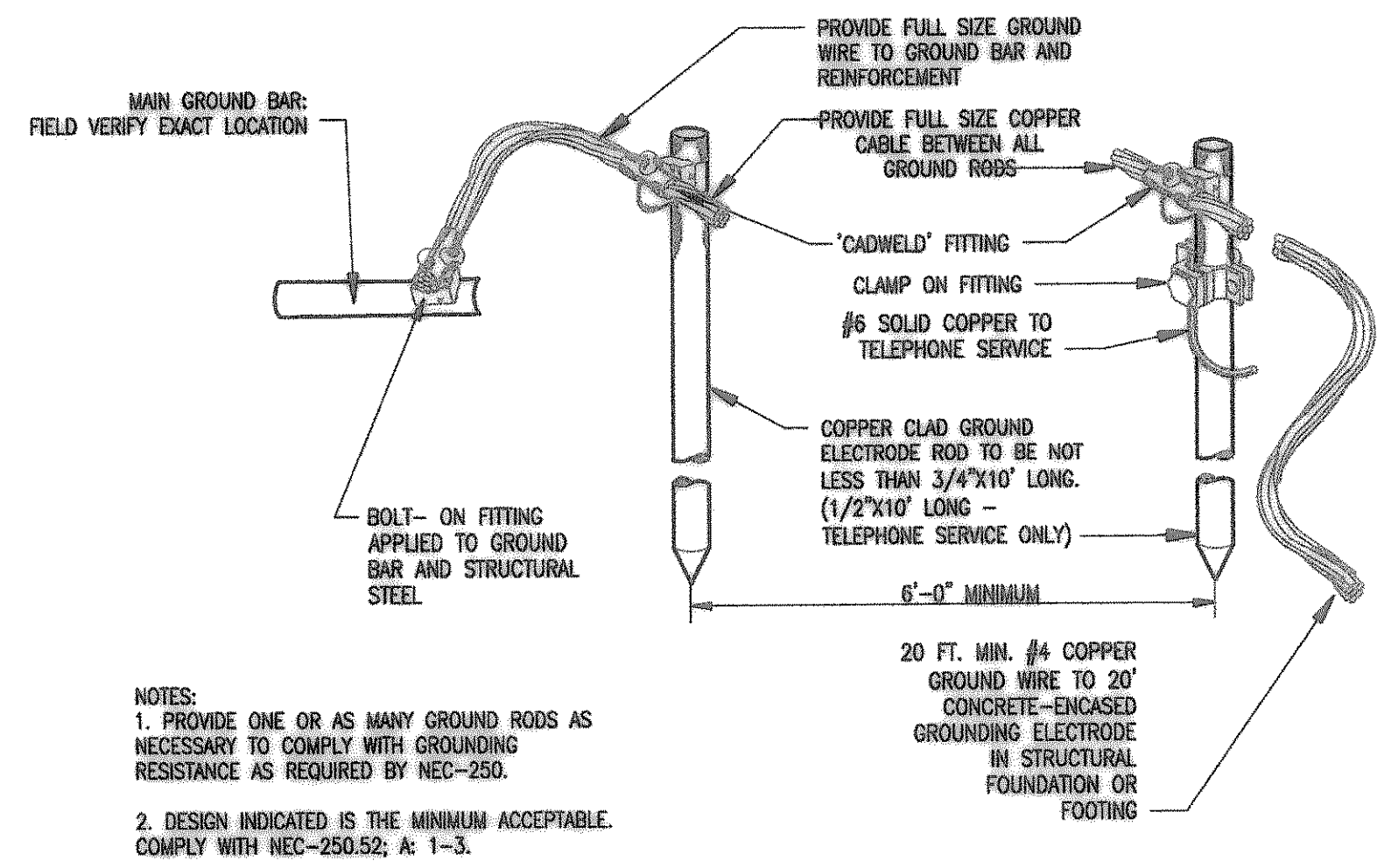
RECORD DRAWING
 THIS RECORD DRAWING HEREIN REFLECTS, TO THE BEST OF THE DESIGN ENGINEER'S KNOWLEDGE, THE APPROXIMATE LOCATION OF THE CONSTRUCTED WORK, USING INFORMATION AS PROVIDED BY THE CONTRACTORS



8 POLE BASE DETAILS
 SCALE: NONE

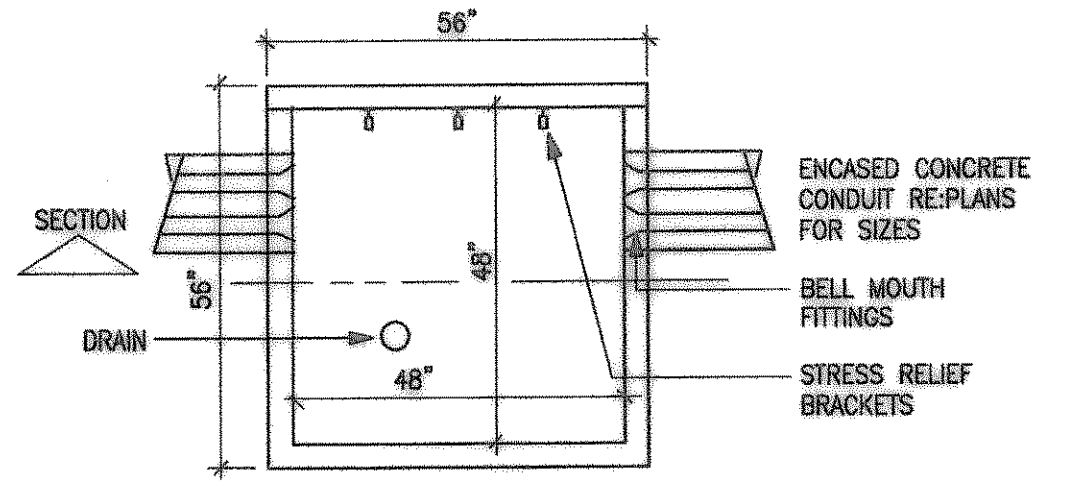


7 RACK-MOUNTED SERVICE EQUIPMENT
 SCALE: NONE

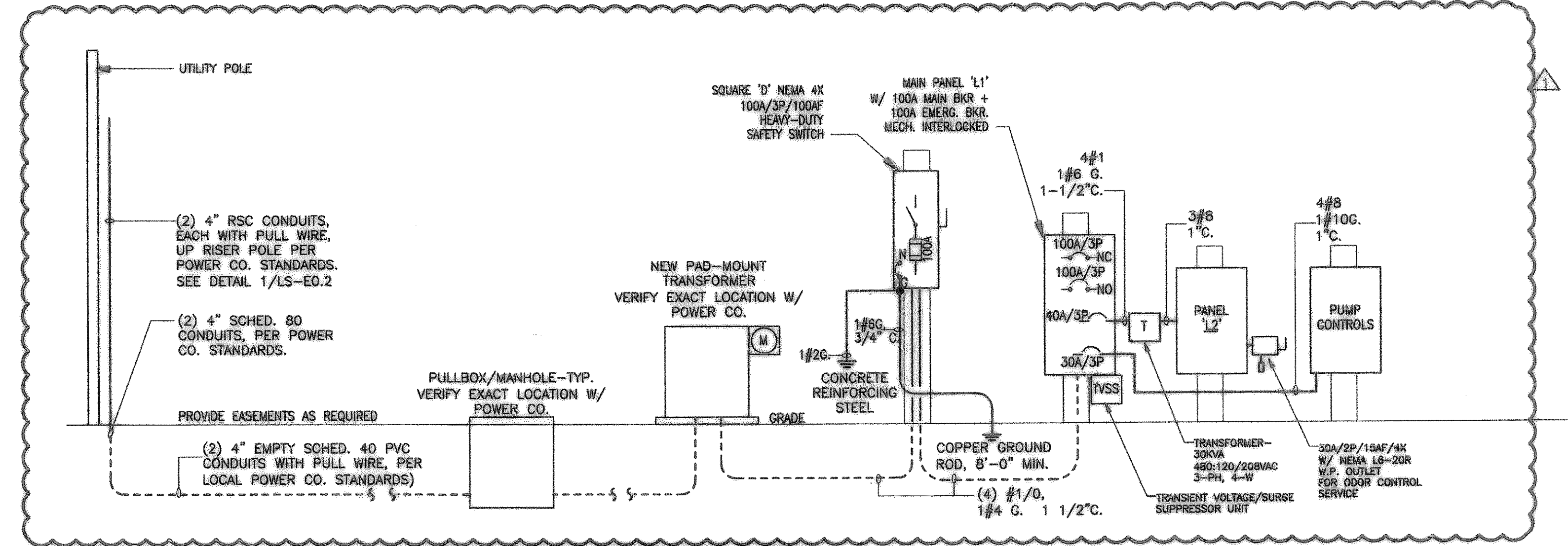


NOTES:
 1. PROVIDE ONE OR AS MANY GROUND RODS AS NECESSARY TO COMPLY WITH GROUNDING RESISTANCE AS REQUIRED BY NEC-250.
 2. DESIGN INDICATED IS THE MINIMUM ACCEPTABLE. COMPLY WITH NEC-250.52; A: 1-3.

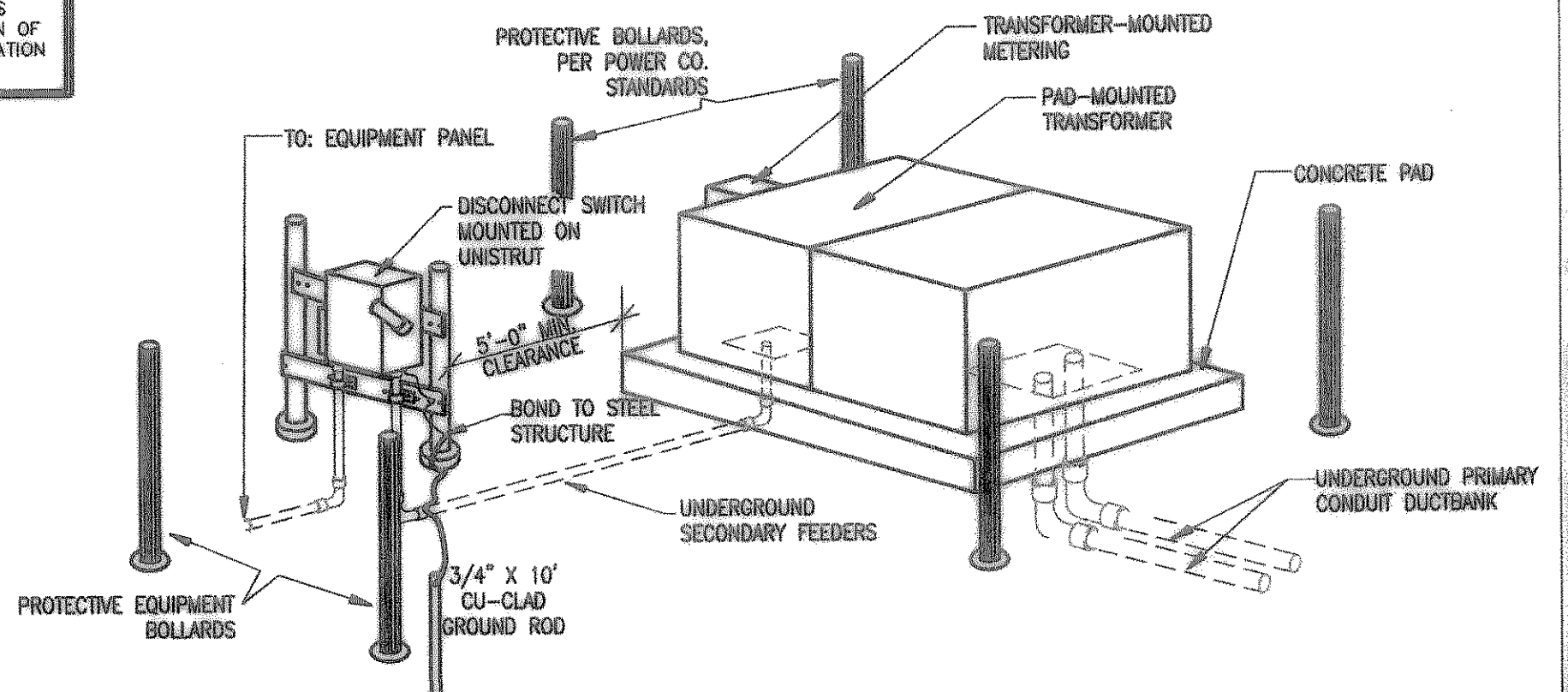
6 TYPICAL GROUNDING DETAIL
 SCALE: NONE



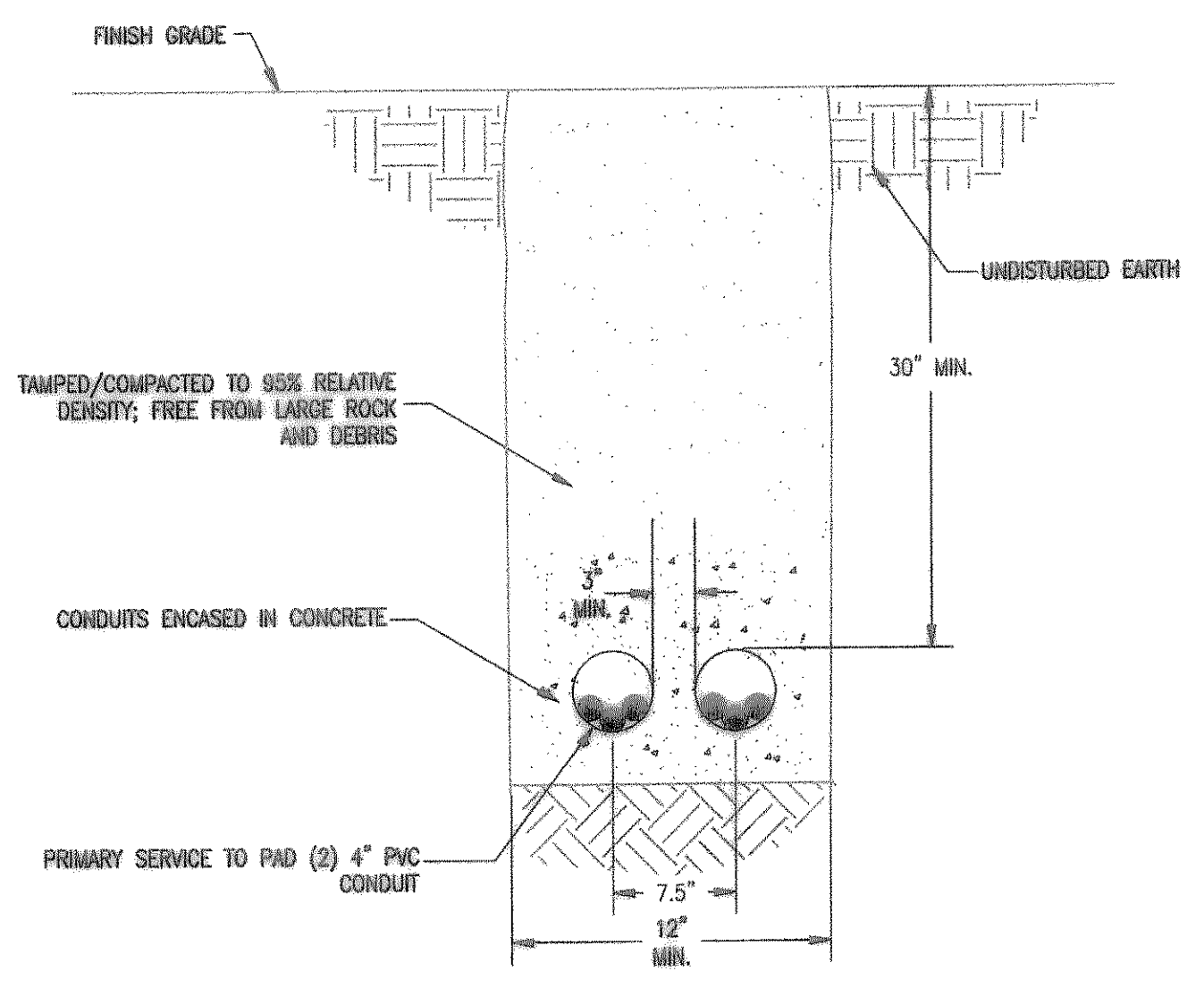
5 H.V. PULLBOX DETAIL
 SCALE: NONE



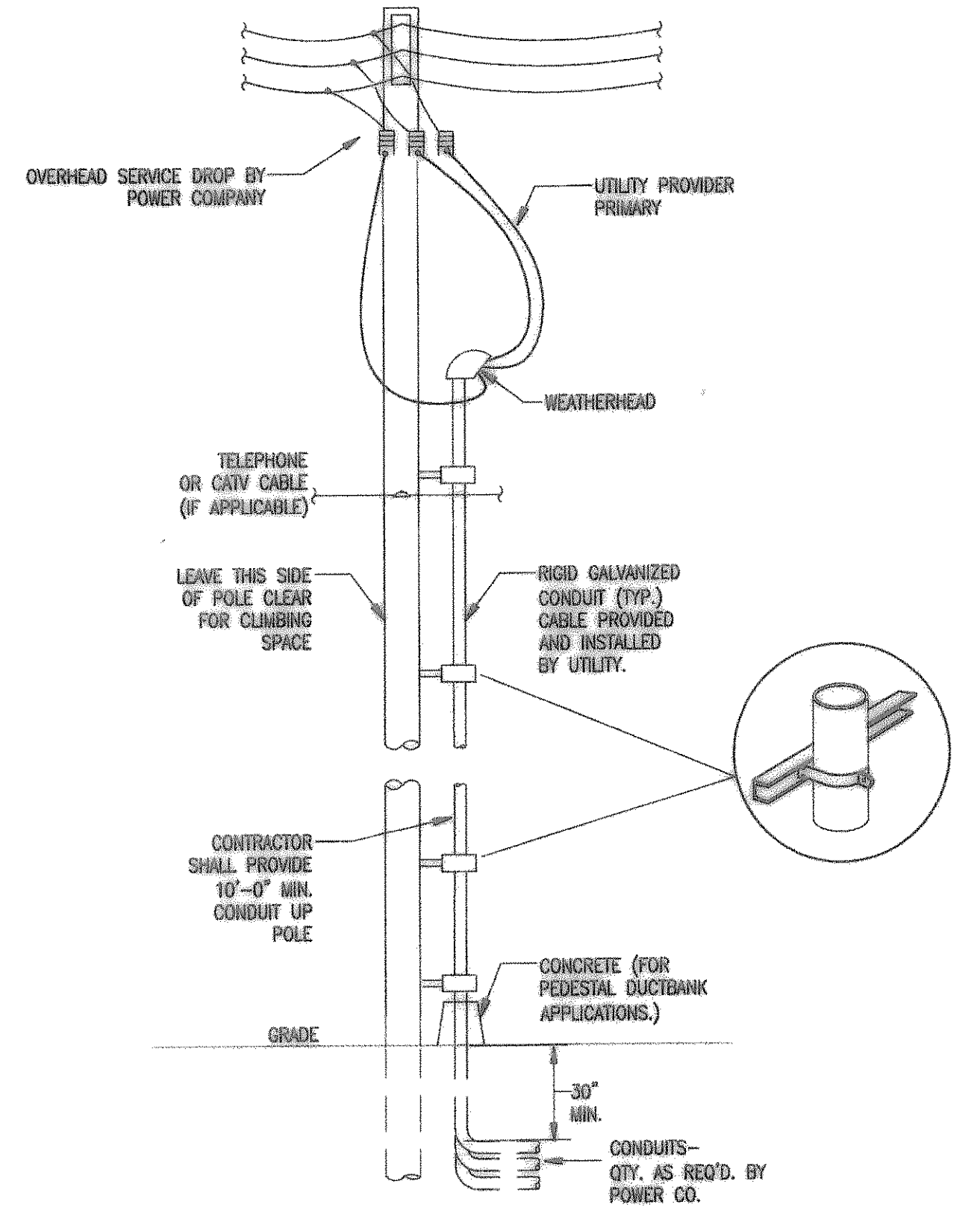
4 ELECTRICAL RISER DIAGRAM
 SCALE: NTS



3 ELECTRICAL EQUIPMENT/ TRANSFORMER PAD DETAIL
 SCALE: NONE



2 ELECTRICAL SERVICE DUCTBANK DETAIL
 SCALE: NONE



1 CONDUIT RISER ON PRIMARY POLE
 SCALE: NONE

Kimley-Horn and Associates, Inc.
 Tel. No. (972) 335-3560
 Fax No. (972) 335-3779
 9300 Wade Boulevard, Suite 300
 Frisco, Texas 75035
 Revisions:
 No. Date
 1 4-9-08
 2 REVERSED DETAIL SHEET, ELECTRICAL SERVICE MODIFICATIONS

NORTH LAKESHORE VALLEY LIFT STATION ROCKWALL, TX

ELECTRICAL SITE PLAN DETAILS



KALMANS MARSHALL ENGINEERING, INC.
 18000 W. Sam Houston Parkway N., Suite 600
 Houston, Texas 77060 (281) 961-1000
 Project No. 16508002
 Date: April, 2008
 Drawn by: CMM
 Checked by: MK
 Approved by: LS-E...

LS-E0.2