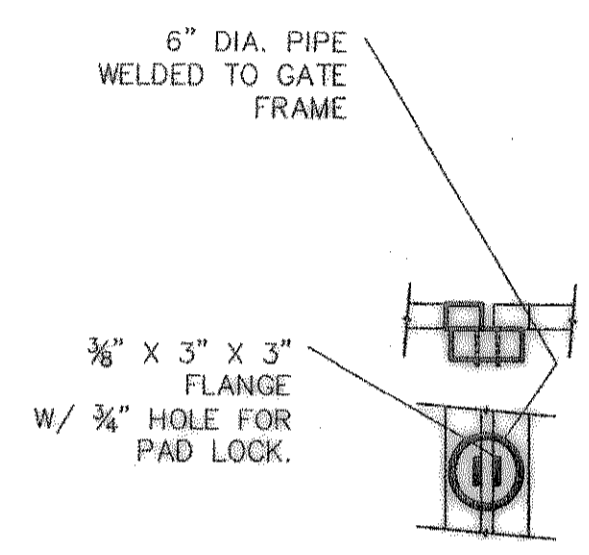
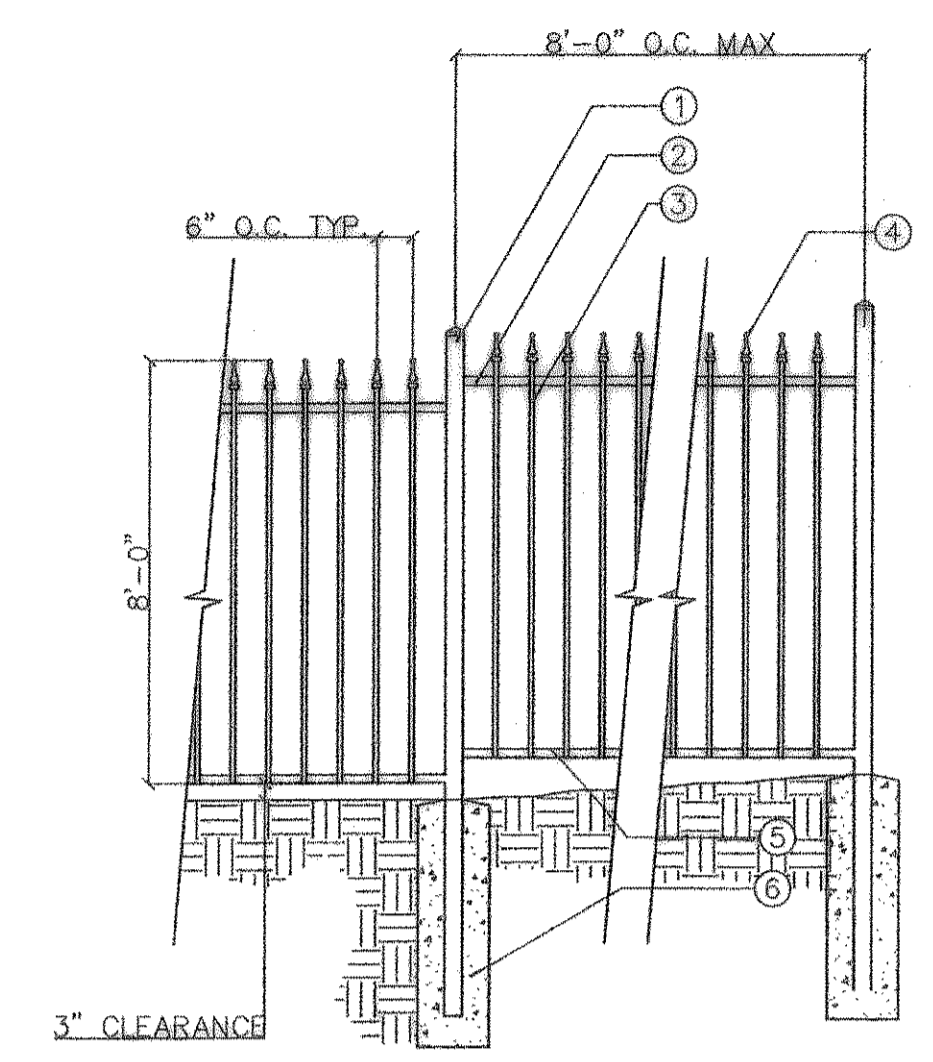


1
D2
**METAL ACCESS GATE
STANDARD DETAIL**
SCALE = N.T.S.

- ① 4" SQUARE STEEL POST
- ② 2"x3" TUBULAR STEEL GATE FRAME
- ③ 3/4" SQUARE STEEL PICKETS ATTACH TO FRONT OF RAILS
- ④ DECORATIVE FINIAL
- ⑤ PAD-LOCK 'HASP'
- ⑥ FOOTBOLT
- ⑦ PROVIDE CONCRETE FOOTING FOR POSTS. POSTS @ 8'-0" O.C. OR AS REQUIRED FOR GRADE OR DIRECTIONAL CHANGES. SLOPE CONCRETE AT TOP OF FOOTING AWAY FROM BASE OF POLE.
- ⑧ 2'x1'x1" CONCRETE FOOTING FOR FOOTBOLT.
- ⑨ 3 STANDARD GATE HINGES
- ⑩ 2 STANDARD GATE HINGES



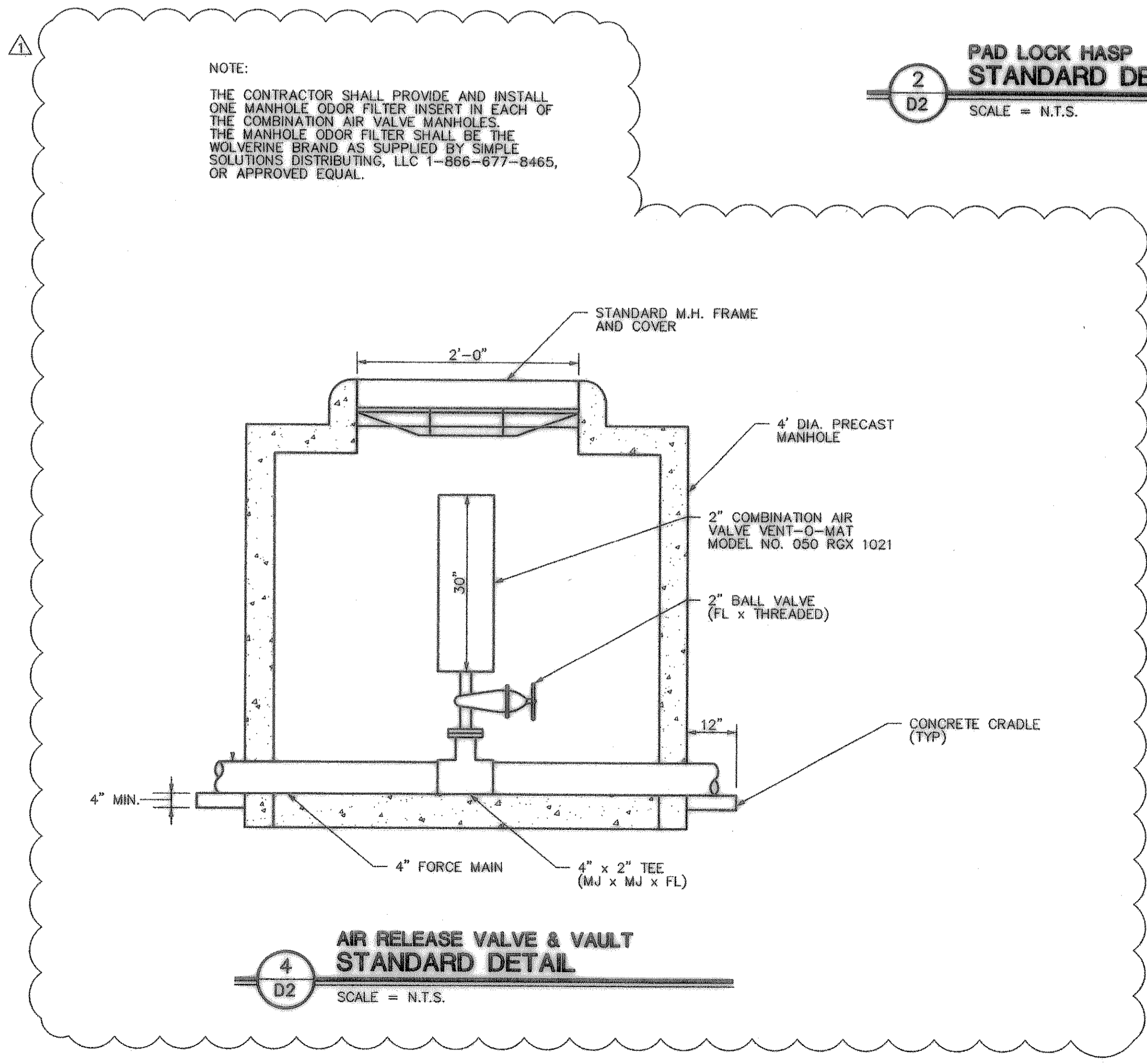
2
D2
**PAD LOCK HASP
STANDARD DETAIL**
SCALE = N.T.S.



- ① 3" SQUARE STEEL POST, WITH POST CAP
- ② 1-1/2" SQUARE STEEL TOP RAIL
- ③ 3/4" SQUARE STEEL PICKETS ATTACH TO FRONT OF RAILS
- ④ DECORATIVE FINIAL
- ⑤ 1-1/2" SQUARE STEEL BOTTOM RAIL
- ⑥ PROVIDE CONCRETE FOOTING FOR POSTS. POSTS @ 8'-0" O.C. OR AS REQUIRED FOR GRADE OR DIRECTIONAL CHANGES. SLOPE CONCRETE AT TOP OF FOOTING AWAY FROM BASE OF POLE.

NOTE:
1. ALL METAL FENCES TO BE PRIMED AND POWDER COATED. FENCE SHALL BE BLACK IRON.

3
D2
**PERIMETER FENCE
STANDARD DETAIL**
SCALE = N.T.S.



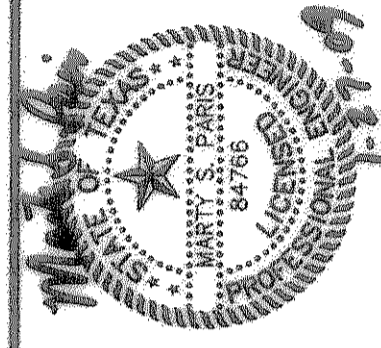
4
D2
**AIR RELEASE VALVE & VAULT
STANDARD DETAIL**
SCALE = N.T.S.

NOTE:
THE CONTRACTOR SHALL PROVIDE AND INSTALL ONE MANHOLE ODOR FILTER INSERT IN EACH OF THE COMBINATION AIR VALVE MANHOLES. THE MANHOLE ODOR FILTER SHALL BE THE WOLVERINE BRAND AS SUPPLIED BY SIMPLE SOLUTIONS DISTRIBUTING, LLC 1-866-677-8465, OR APPROVED EQUAL.

RECORD DRAWING
THIS RECORD DRAWING HEREIN REFLECTS TO THE BEST OF THE DESIGN ENGINEER'S KNOWLEDGE, THE APPROXIMATE LOCATION OF THE CONSTRUCTED WORK, USING INFORMATION AS PROVIDED BY THE CONTRACTORS

DATE:	JANUARY 2009
DESIGN:	TL
DRAWN:	TL
CHECKED:	MSP
KHA NO.:	068237002

BY:	TL
DATE:	01/07/2009
REVISION:	
NO.:	1
AIR RELEASE VAULT ADJUSTMENT	



**North Lakeshore
Valley Lift Station
Rockwall, TX**

**CONSTRUCTION
DETAILS**

SHEET
D2