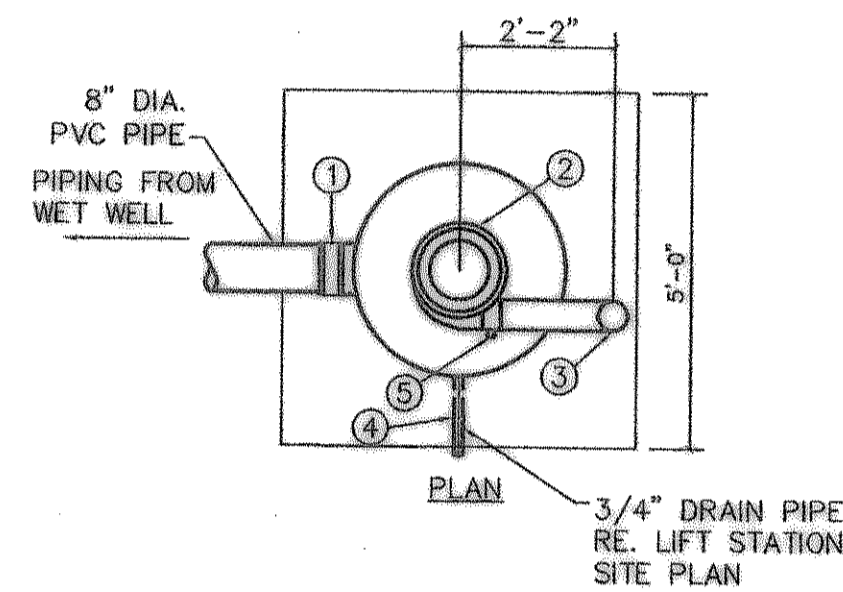


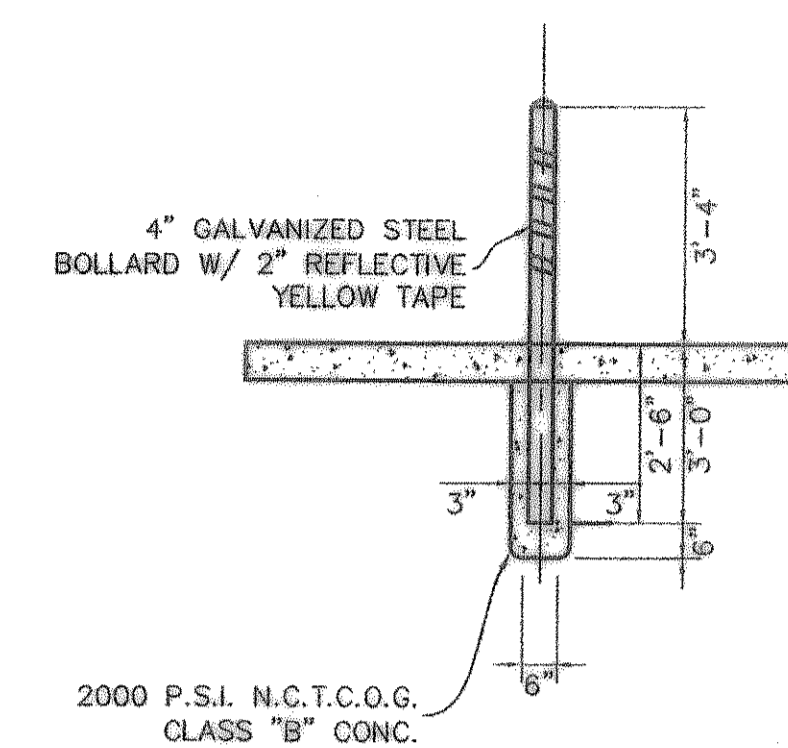
- PLAN VIEW EQUIPMENT/MATERIAL LIST**
- ① 8-INCH FLEXIBLE COUPLING
 - ② PURAFIL, INC. DS-500 ODOR CONTROL UNIT OR APPROVED EQUAL, 1/2 Hp 115/230 VOLT / SINGLE PHASE, 60 Hz
 - ③ 6" DIA. C-900 DR-18 PVC DISCHARGE VENT PIPE W/ 16-MESH STAINLESS STEEL SCREEN
 - ④ 3/4-INCH DRAIN & BALL VALVE TO WET WELL
 - ⑤ DAMPER HANDLE

- ELEVATION VIEW EQUIPMENT/MATERIAL LIST**
- ① 8-INCH FLEXIBLE COUPLING
 - ② 8-INCH FLEXIBLE PIPING
 - ③ 200 GALLON DRUM
 - ④ 6-INCH PVC 90° BEND W/ 16-MESH STAINLESS STEEL SCREEN
 - ⑤ 6-INCH REINFORCED CONCRETE SLAB W/ #4 BARS @ 12" CENTERS E.W.
 - ⑥ 7-INCH COMPACTED SUBGRADE



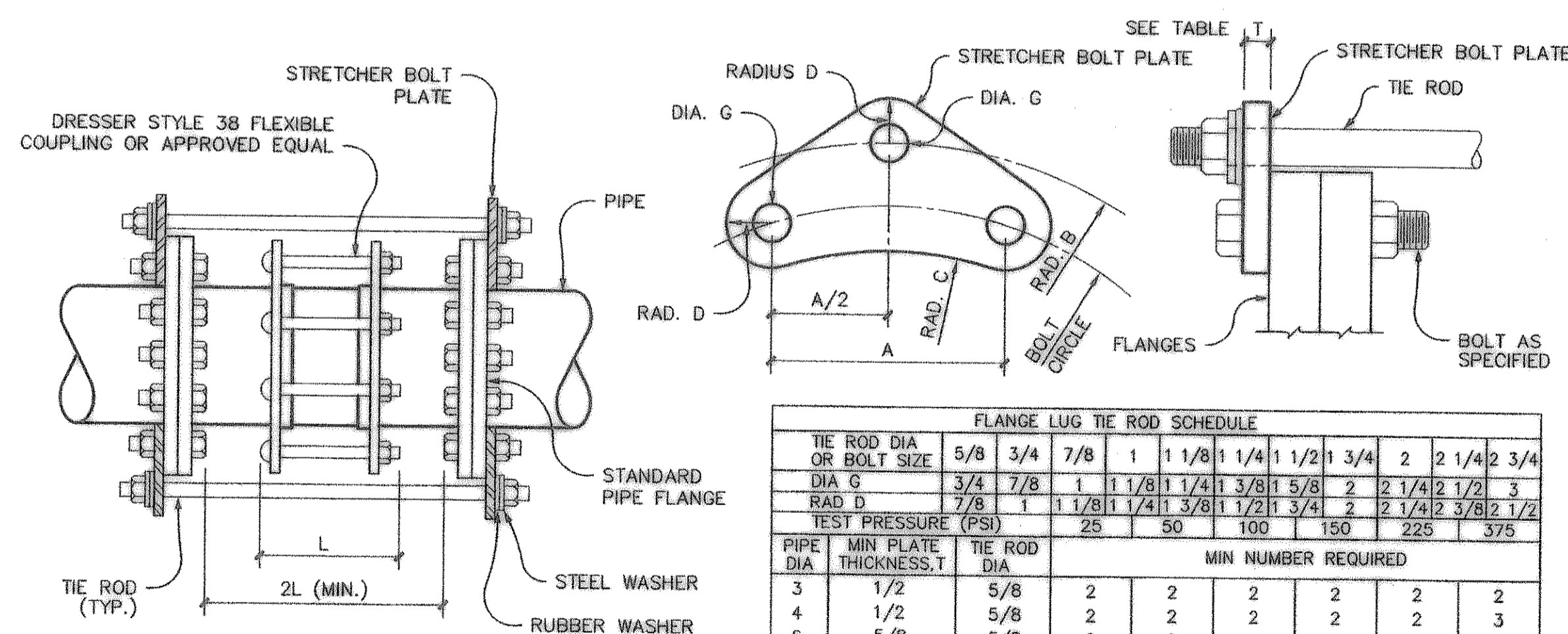
1
D1
PURAFIL ODOR CONTROL UNIT
STANDARD DETAIL

SCALE = N.T.S.



3
D1
BOLLARD
STANDARD DETAIL

SCALE = N.T.S.



FLANGE LUG TIE ROD SCHEDULE											
TIE ROD DIA OR BOLT SIZE	5/8	3/4	7/8	1	1 1/8	1 1/4	1 1/2	1 3/4	2	2 1/4	2 3/4
DIA G	3/4	7/8	1	1 1/8	1 1/4	1 3/8	1 5/8	2	2 1/4	2 1/2	3
RAD B	7/8	1	1 1/8	1 1/4	1 3/8	1 1/2	1 3/4	2	2 1/4	2 3/8	1 1/2
TEST PRESSURE (PSI)	25	50	100	150	225	375					
PIPE DIA	MIN PLATE THICKNESS, T		TIE ROD DIA								
3	1/2	5/8	2	2	2	2	2	2	2	2	2
4	1/2	5/8	2	2	2	2	2	2	2	2	2
6	5/8	5/8	2	2	2	2	2	2	3	3	3
8	5/8	3/4	2	2	2	2	2	2	3	3	4
10	7/8	7/8	2	2	2	2	2	2	3	3	4
12	7/8	1	2	2	2	2	2	2	3	3	5
14	7/8	1	2	2	2	2	2	2	3	4	5
16	7/8	1 1/8	2	2	2	2	2	2	3	4	5
18	7/8	1 1/8	2	2	2	2	2	2	3	4	5
20	7/8	1 1/8	2	2	2	2	2	2	3	4	6
22	1 1/8	1 1/4	2	2	2	2	2	2	3	4	6
24	1 1/8	1 1/4	2	2	2	2	2	2	3	4	6
30	1 3/8	1 1/2	2	2	2	2	2	2	3	5	7
36	1 5/8	1 3/4	2	2	2	2	2	2	3	5	7

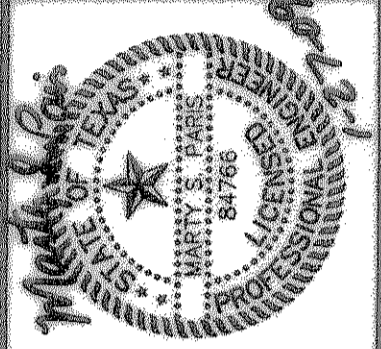
NOTES:

1. ALL DIMENSIONS IN INCHES
2. DIMENSION "A" AS REQUIRED BY FLANGE SPECIFIED.
3. RADIUS "C" EQUALS 1/2 x (BOLT CIRCLE) - D.
4. RADIUS "B" EQUALS 1/2 x (FLANGE CIRCLE) + D + 1/8".
5. INSTALL THE ROD ASSEMBLIES SUCH THAT ALL RODS ARE EQUALLY SPACED AROUND FLANGE. ON PIPING 20-INCHES AND LARGER, RODS MAY BE GROUPED IN PAIRS BUT GROUPS MUST BE EQUALLY SPACED AROUND FLANGE. THE TOTAL NUMBER OF THE RODS SHALL BE INCREASED ABOVE THAT TABULATED AS NECESSARY TO MEET SPACING REQUIREMENTS.

3
D1
THRUST HARNESS AND FLEXIBLE COUPLING
STANDARD DETAIL

SCALE = N.T.S.

Kimley-Horn and Associates, Inc.
12700 Park Central Drive, Suite 1800 Dallas, TX 75261 972-770-1300
Revision
By
Date



North Lakeshore
Valley Lift Station
Rockwall, TX

CONSTRUCTION
DETAILS

RECORD DRAWING
THIS RECORD DRAWING HEREIN REFLECTS TO THE BEST OF THE DESIGN ENGINEER'S KNOWLEDGE, THE APPROXIMATE LOCATION OF THE CONSTRUCTED WORK USING INFORMATION AS PROVIDED BY THE CONTRACTORS

DATE: JANUARY 2009
DESIGN: TJS
DRAWN: TJS
CHECKED: MSP
KHA NO.: 08237002

SHEET
D1