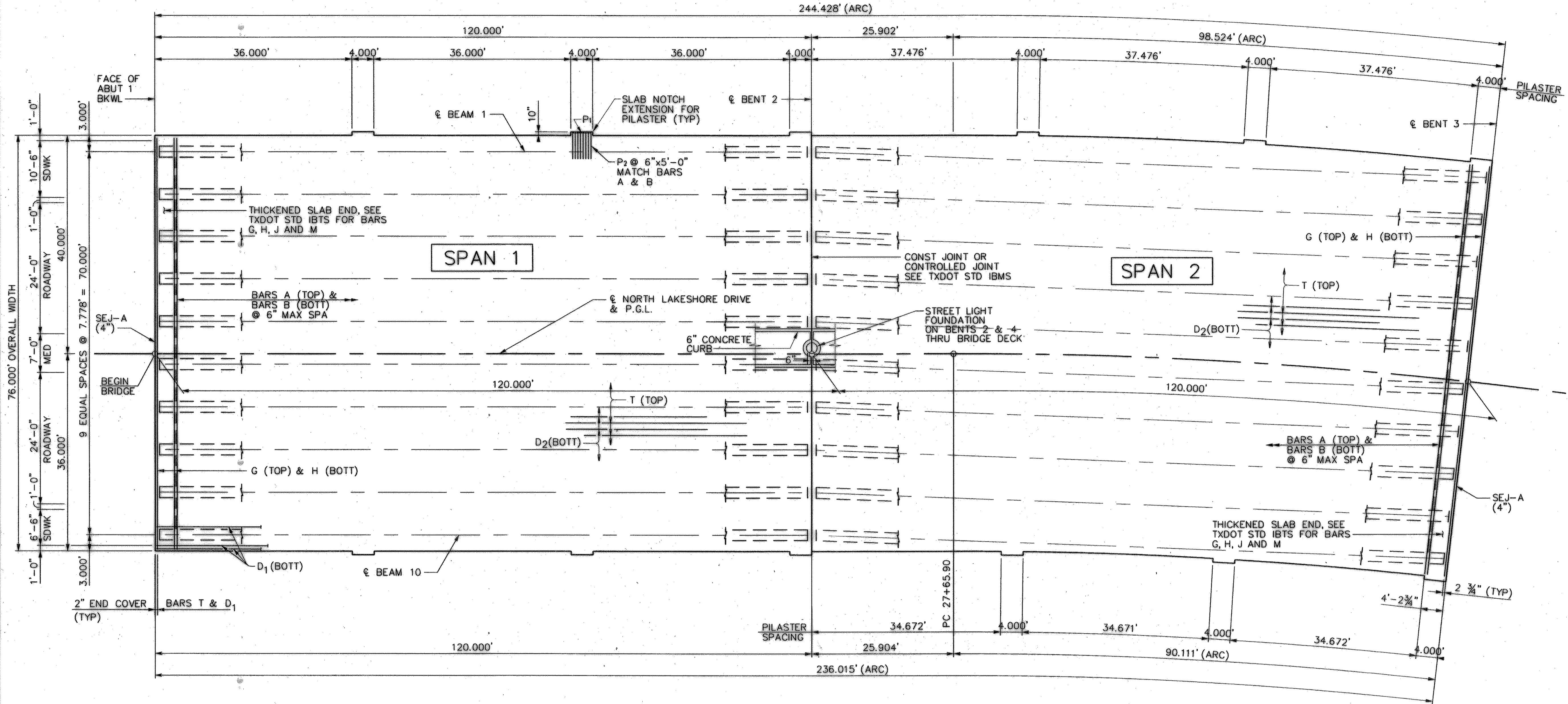


no ref logical, *no ref name*, *no ref levels*
 no ref logical, *no ref name*, *no ref levels*
 no ref logical, *no ref name*, *no ref levels*
 no ref logical, *no ref name*, *no ref levels*
 no ref logical, *no ref name*, *no ref levels*
 no ref logical, *no ref name*, *no ref levels*

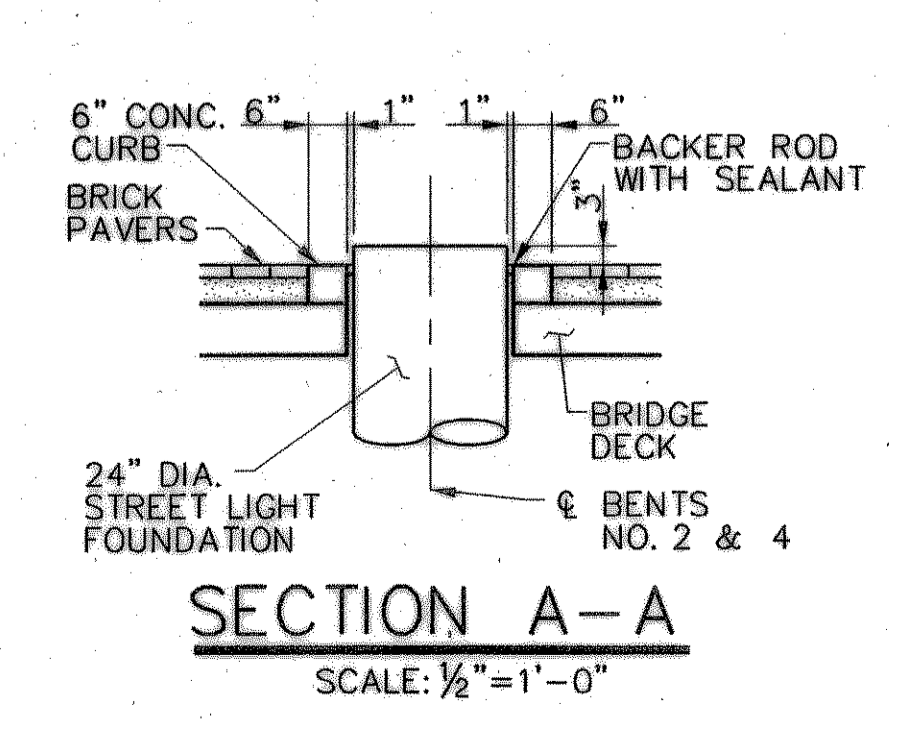
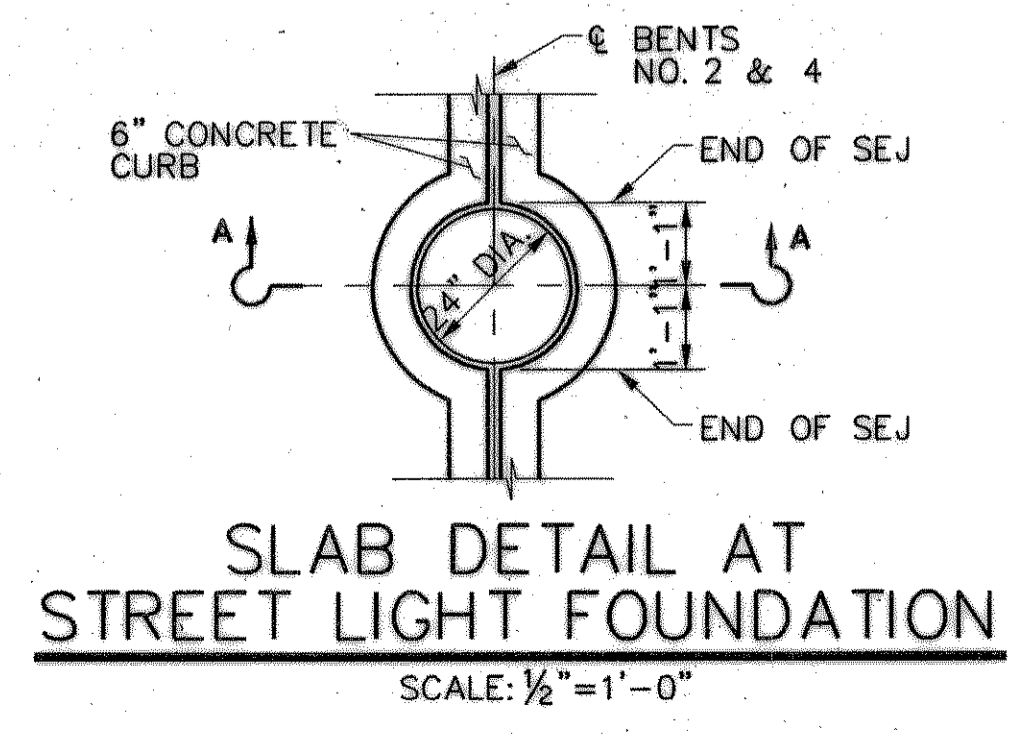
BORDER: 335401GBDR1.DGN, 1-4.6, 7.21-30.32, 34-45, 47-59, 61, 62
 50, 1987BR50, 008, 1-63
 51, 1987BR51, 008, 1-63
 no ref logical, *no ref name*, *no ref levels*
 no ref logical, *no ref name*, *no ref levels*
 no ref logical, *no ref name*, *no ref levels*
 no ref logical, *no ref name*, *no ref levels*

thesaco
 SCALE=9.998000
 PRF_ROTATION=90.000000
 f:\hzi\HZE\FULL.TBL

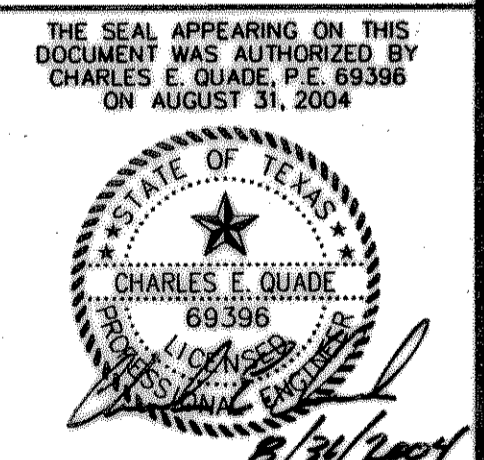
h:\proj\01335401\dgn\335401TBU01.DGN
 DATE: 1/10/2006
 TIME: 09:37:08



PLAN



RECORD DRAWINGS JANUARY 12, 2006
 THIS RECORD DOCUMENT HAS BEEN PREPARED BASED ON INFORMATION PROVIDED BY OTHERS. THE CONSULTANT HAS NOT VERIFIED THE ACCURACY AND/OR COMPLETENESS OF THIS INFORMATION AND SHALL NOT BE RESPONSIBLE FOR ANY ERRORS OR OMISSIONS THAT MAY BE INCORPORATED AS A RESULT OF ERRONEOUS INFORMATION PROVIDED BY OTHERS.



SHEET 1 OF 2

NO.	DATE	REVISIONS	APPROVED			
240.00' PRESTRESSED CONC. BEAM UNIT 1						
NORTH LAKESHORE DRIVE						
NAPA DRIVE TO S.H. 205						
HUITT-ZOLLARS						
CITY OF ROCKWALL, TEXAS						
DESIGN	DRAWN	APPR.	SCALE	DATE	PROJECT NO.	NO.
HZI	HZI	CEQ	1'-10"	AUGUST 2004	01-3354-01	B-11