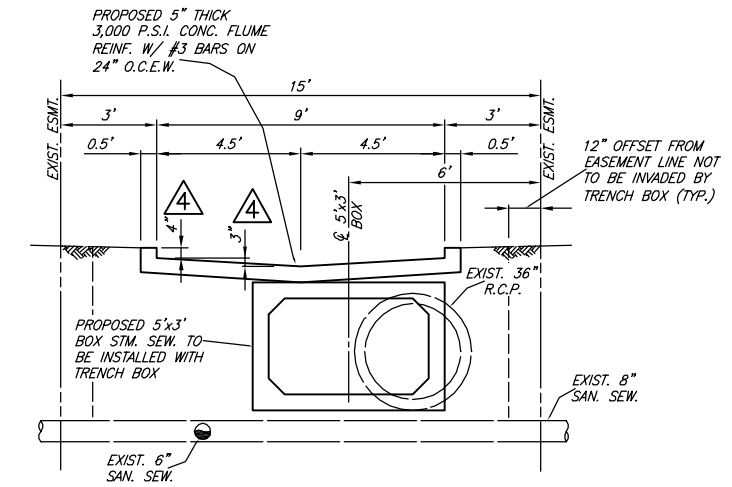
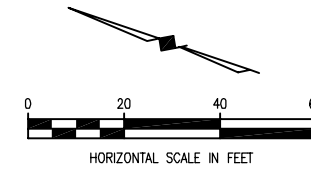


These plans and related specifications were prepared for construction of this specific project only. Reuse of these documents is not permitted without written authorization of Birkhoff, Hendricks, & Conway, L.L.P.



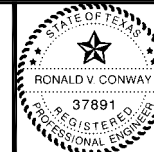
TYPICAL FLUME SECTION

SCALE: 1"=3'

This record drawing is a compilation of the sealed engineering drawing for this project; modified by addenda, change orders and information furnished by the contractor. The information shown on the record drawings that was provided by the contractor or others not associated with the design engineer cannot be verified for accuracy or completeness. This original sealed drawings are on file at the offices of Birkhoff, Hendricks & Conway, L.L.P.

BY RVC DATE 5/12/09

BIRKHOFF, HENDRICKS & CONWAY, L.L.P.
CONSULTING ENGINEERS
7502 Greenville Ave., Suite 220
Dallas, Texas
(214) 361-7900



Ronald V. Conway
7/13/07

CITY OF ROCKWALL, TEXAS

NEIGHBORHOOD DRAINAGE IMPROVEMENTS

**DRAINAGE SITE 2 IMPROVEMENTS
LAKESHORE DRIVE NEAR STONECREST DRIVE**

BHC
PROJECT NO.
2006-182

JANUARY, 2007

SHEET NO.

10

FIELD CHANGE NO. 4 JULY 13, 2007

REVISED: 5/11/09 - WHAYS

H:\Projects\Rockwall\2006182 Neighborhood Drain Improv\Sheets\2006182-A02-2.dwg

PLOT SCALE: 1:40

PLOT STYLE: 11x17.ctb

PLOTTED BY: WHAYS ON 5/13/2009