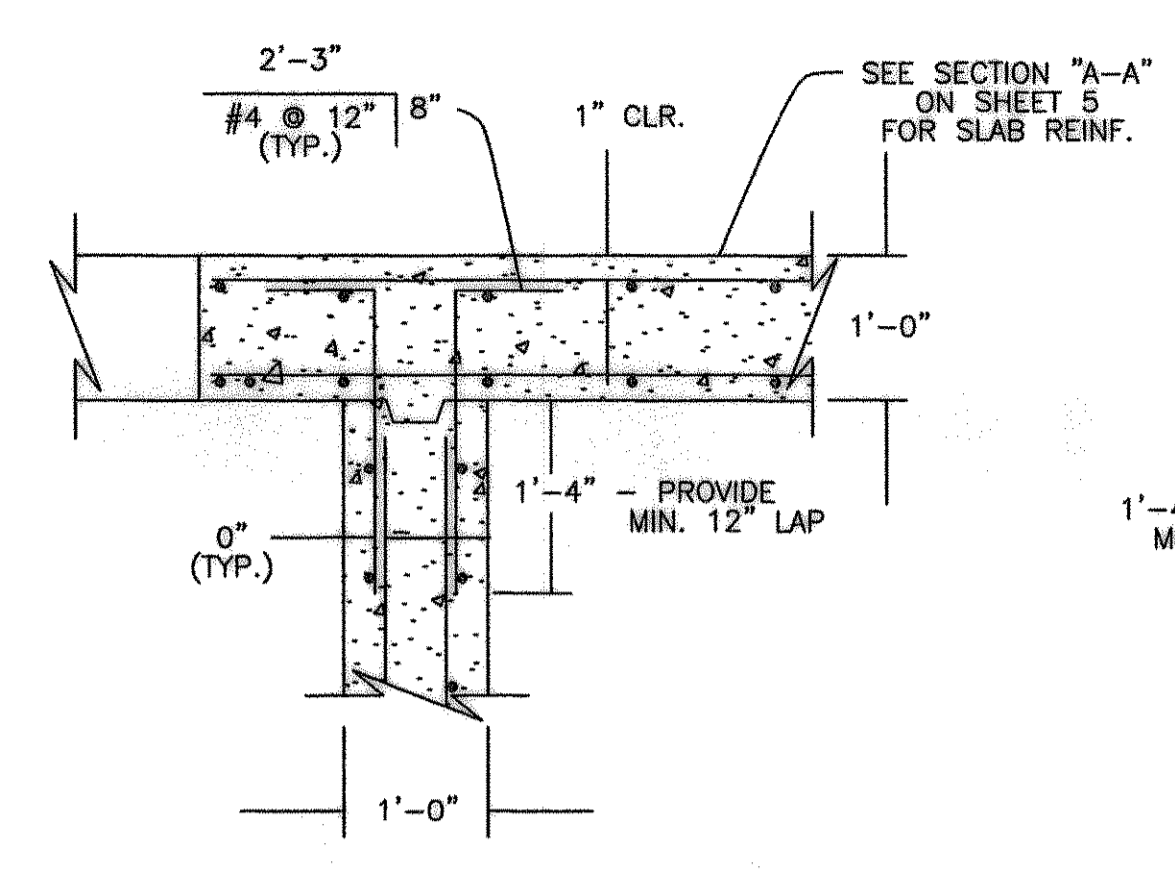
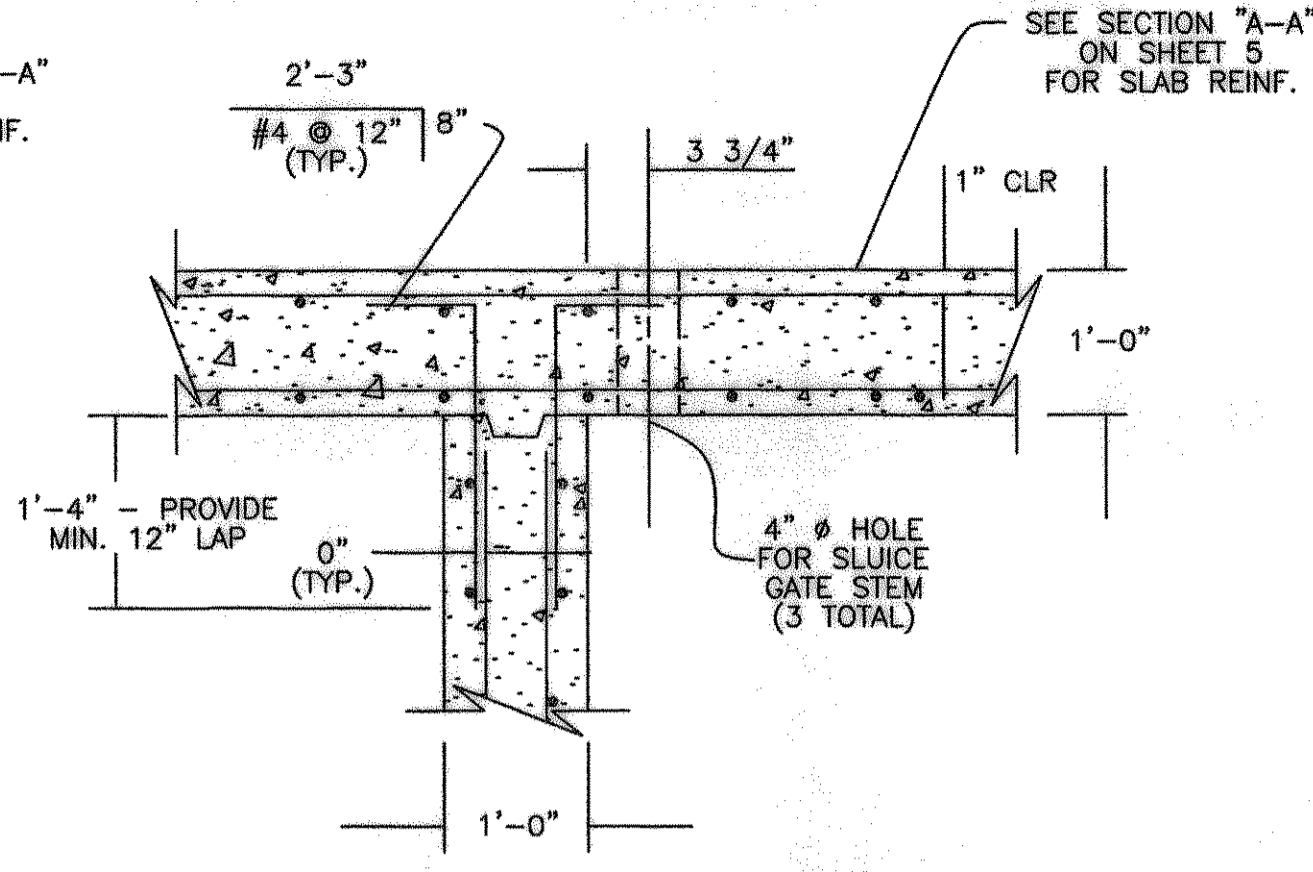


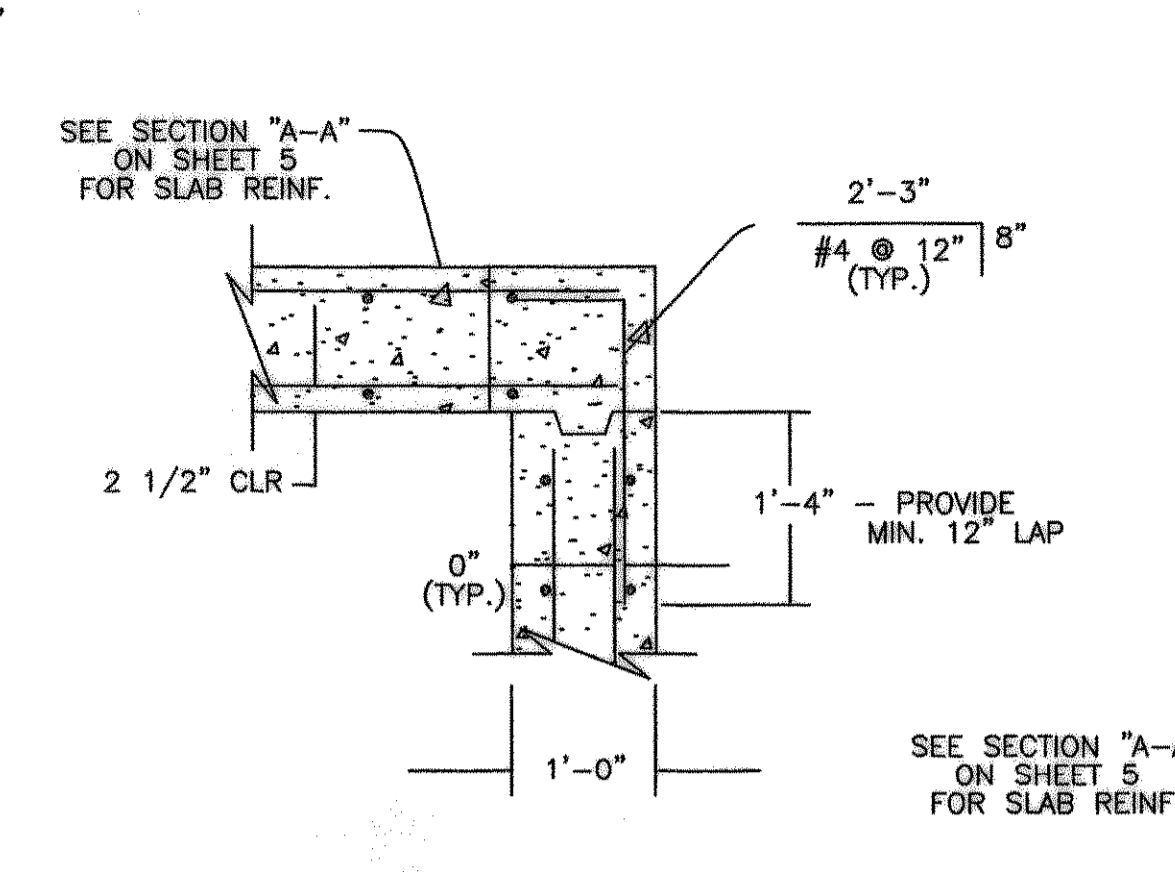
DETAIL "A"
N.T.S.



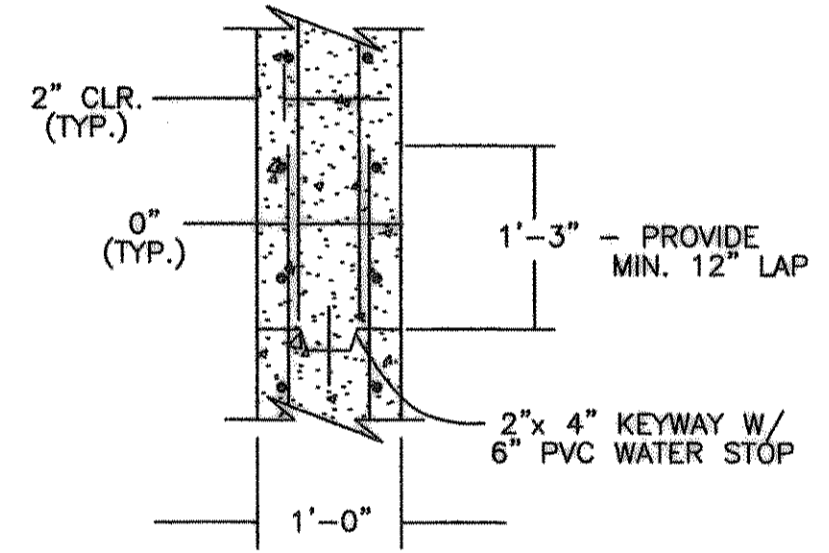
DETAIL "B"
N.T.S.



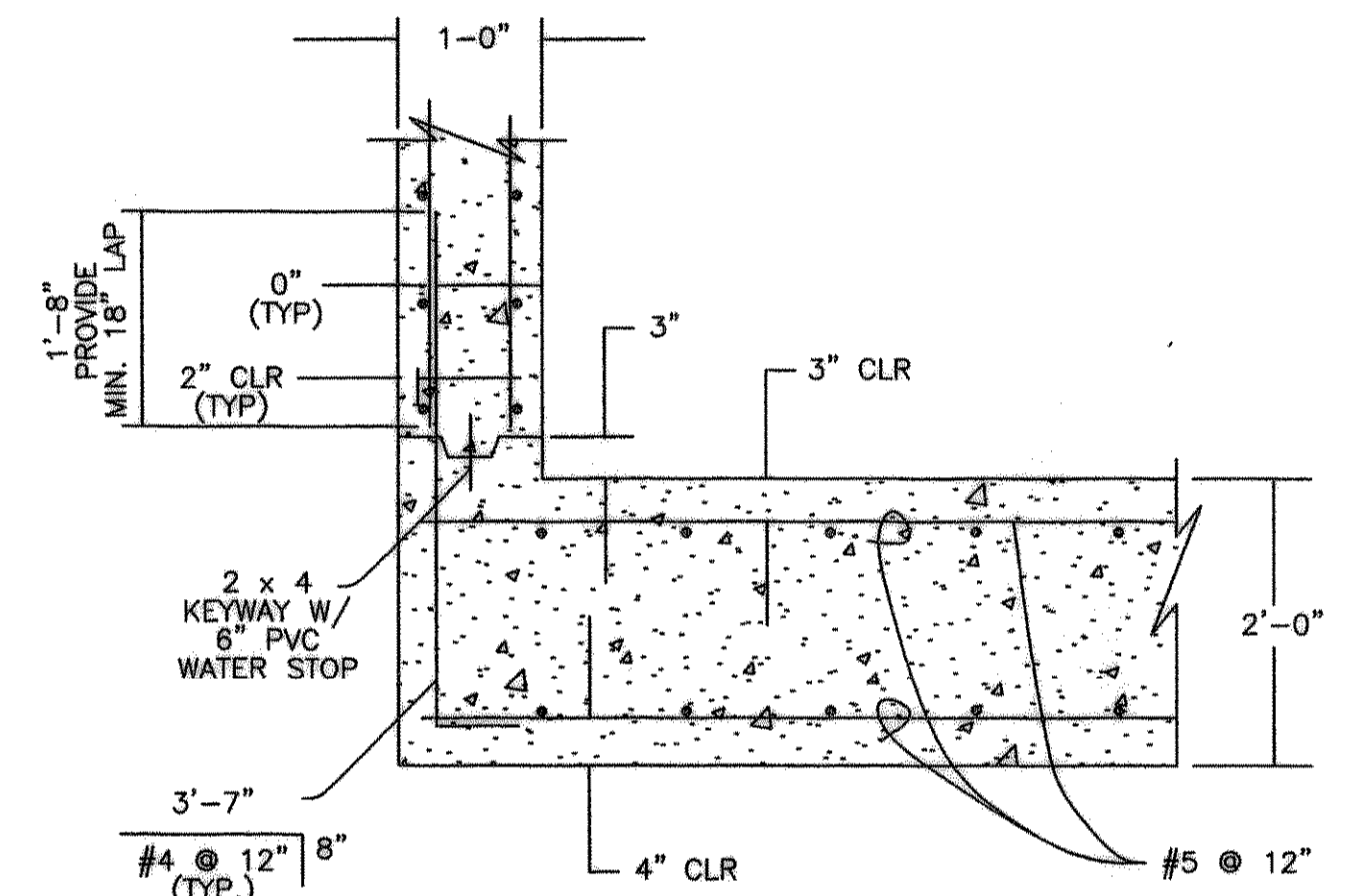
DETAIL "C"
N.T.S.



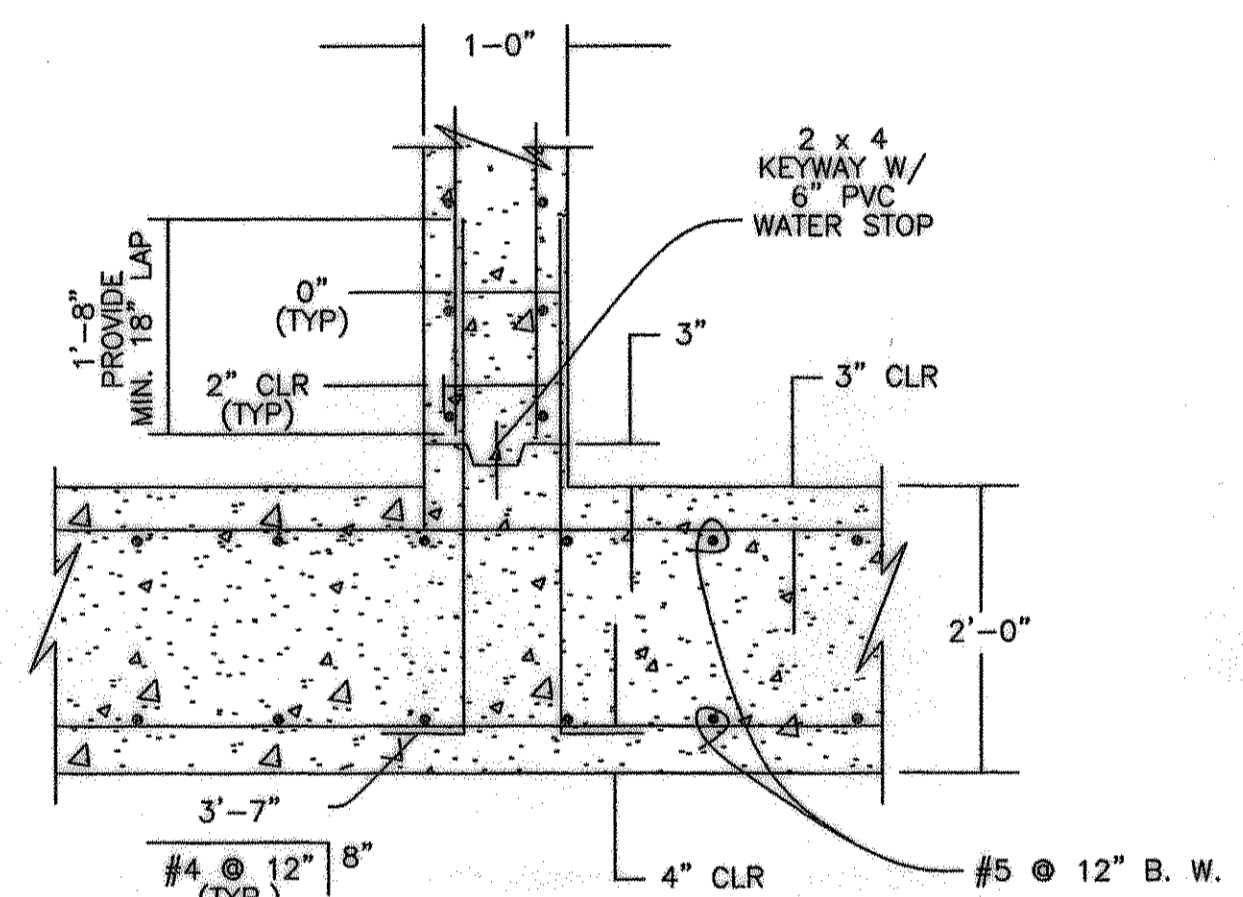
DETAIL "D"
N.T.S.



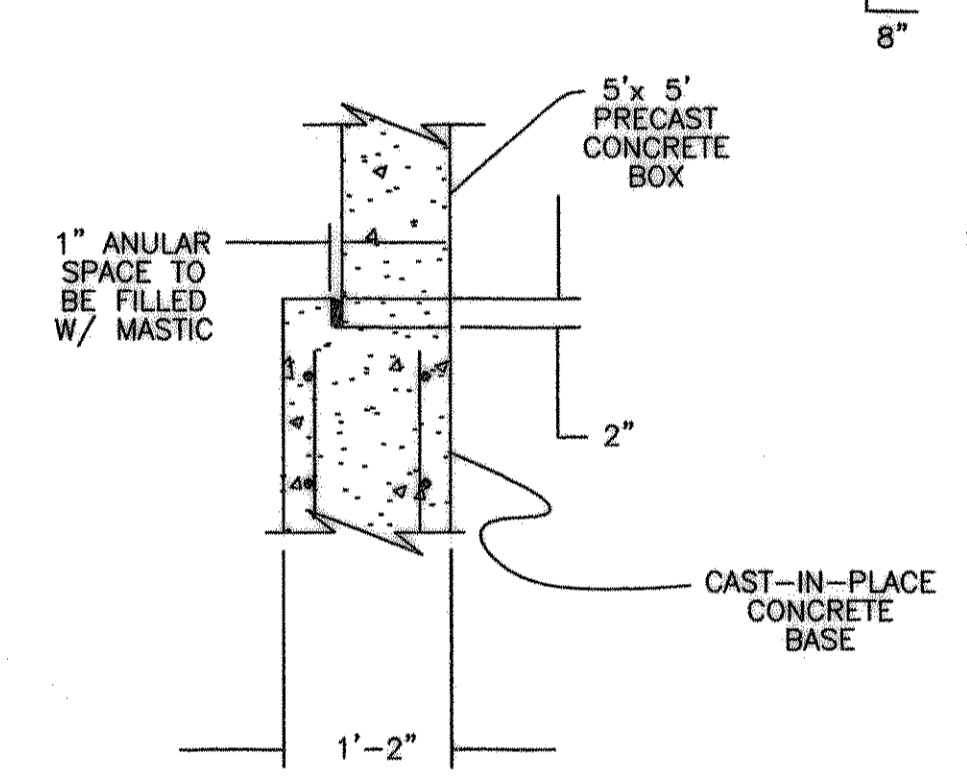
DETAIL "E"
N.T.S.



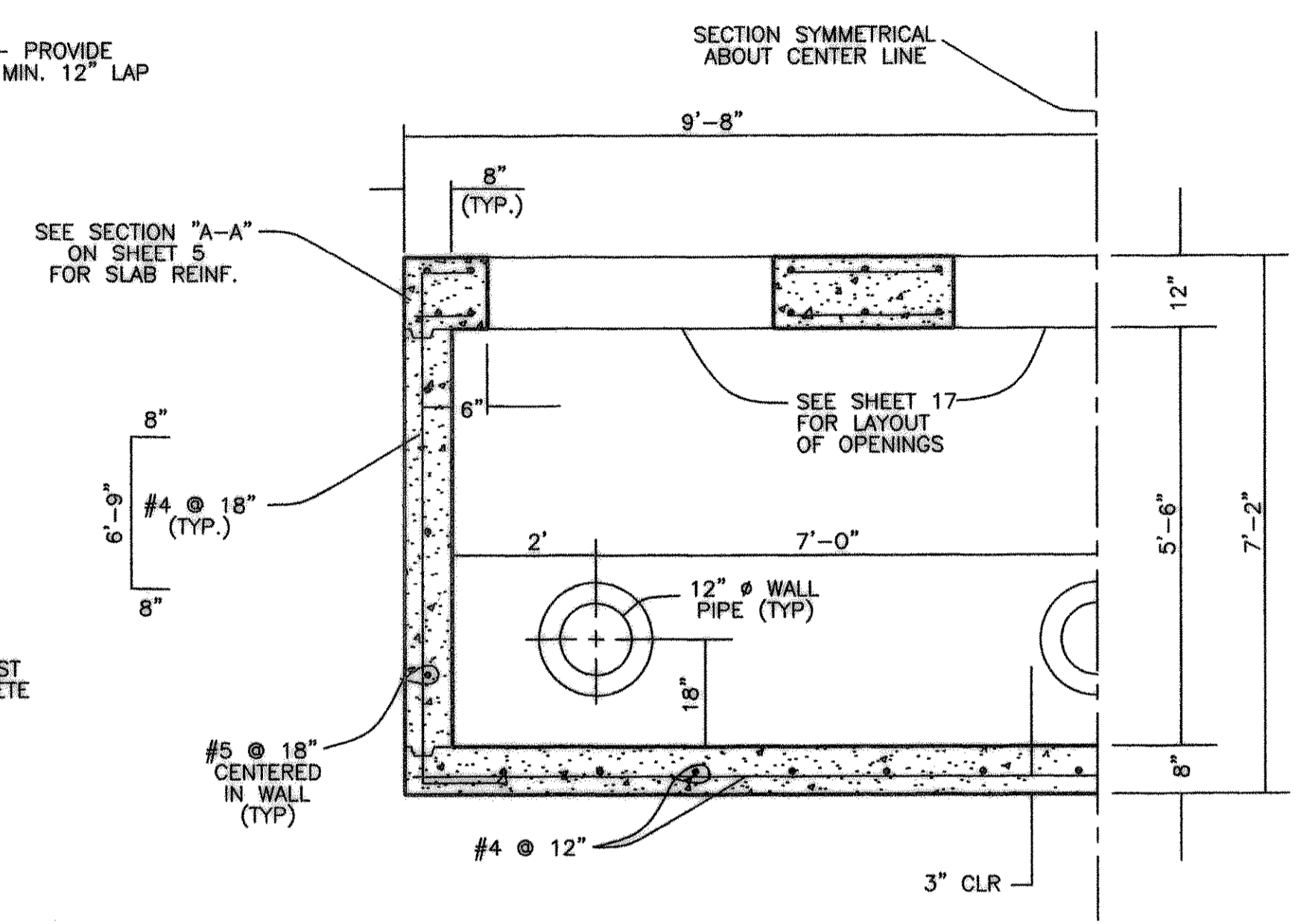
DETAIL "F"
N.T.S.



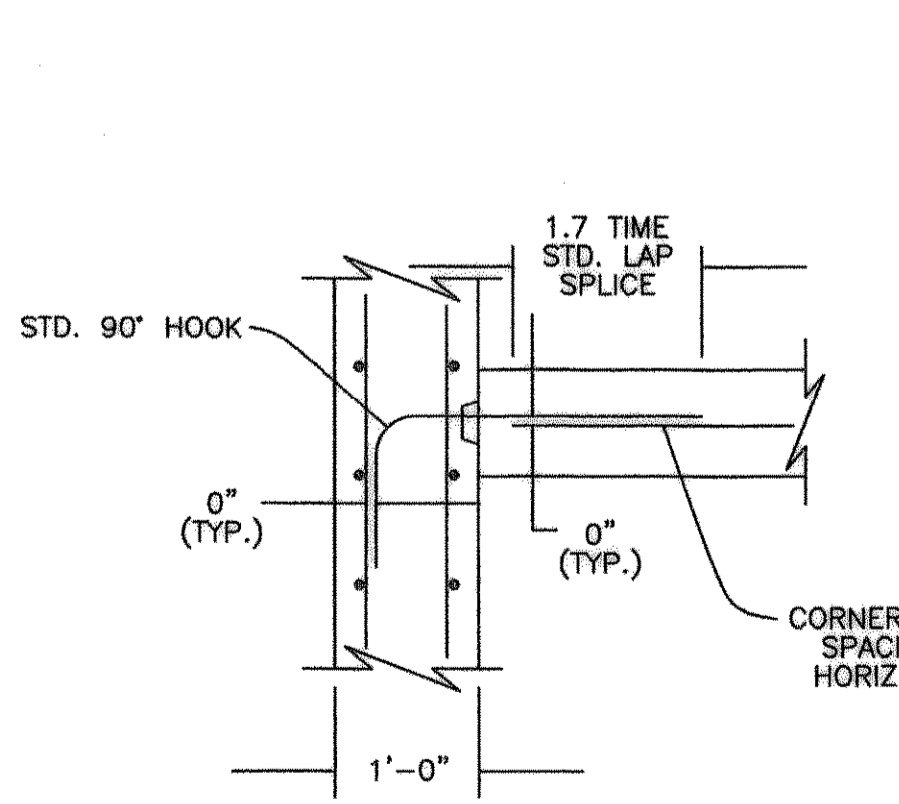
DETAIL "G"
N.T.S.



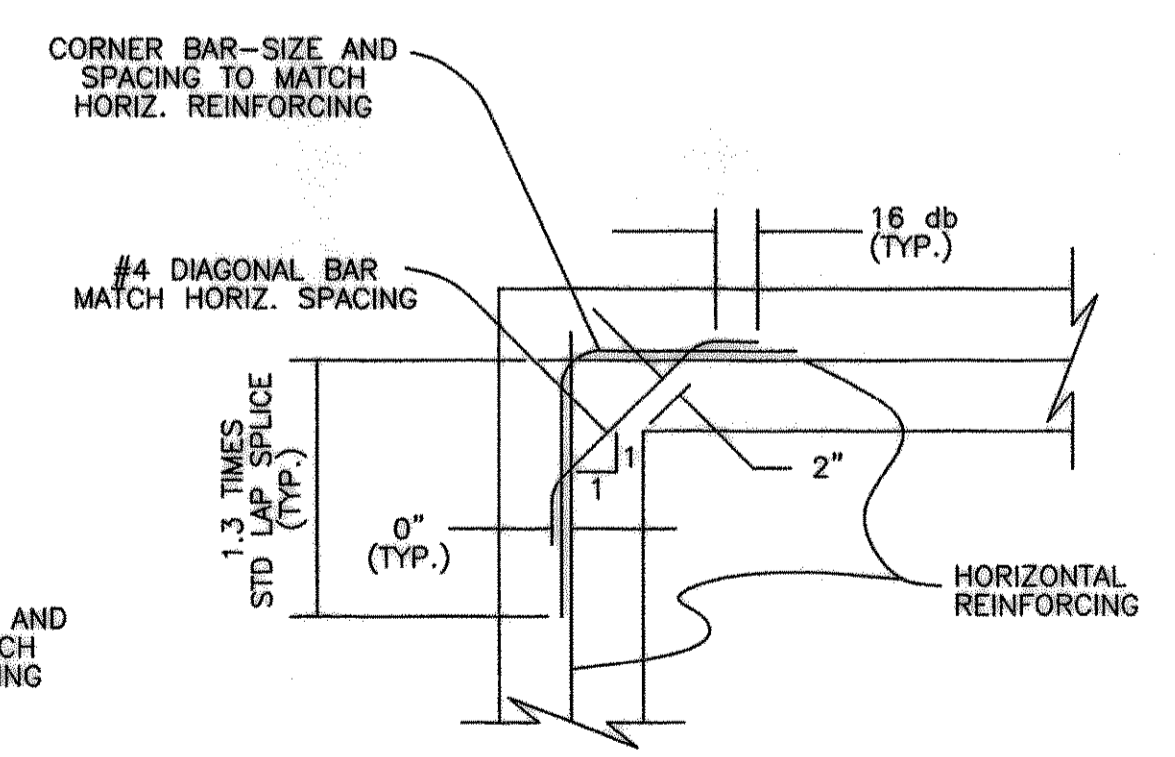
DETAIL "H"
N.T.S.



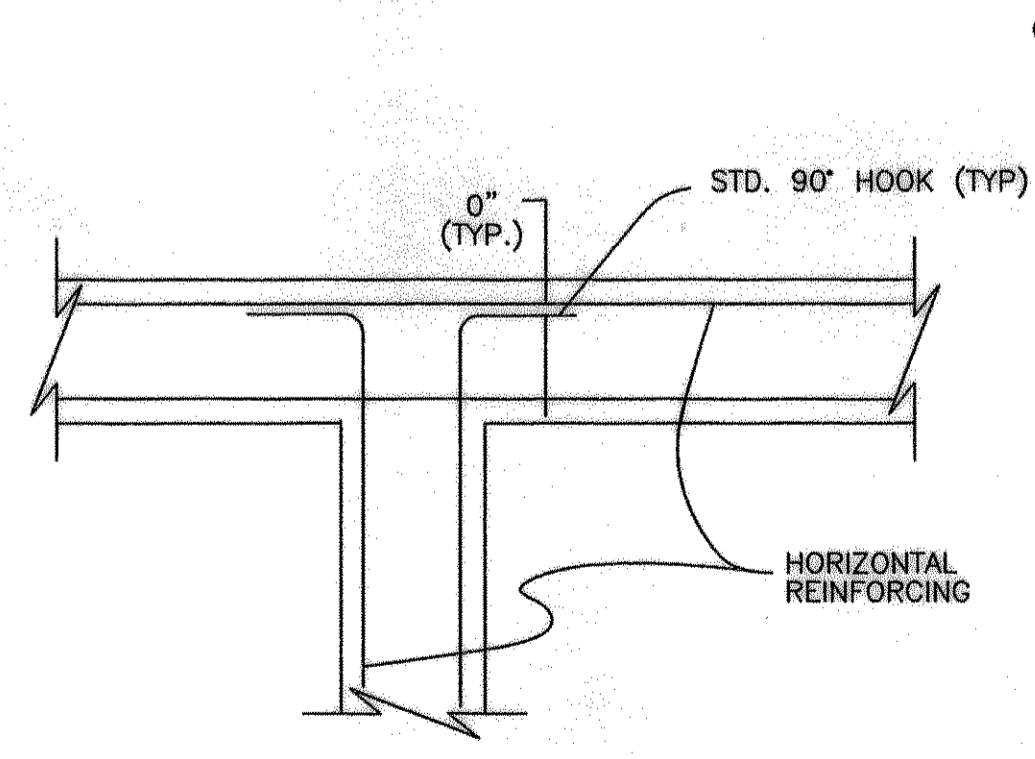
PARTIAL SECTION C-C
N.T.S.



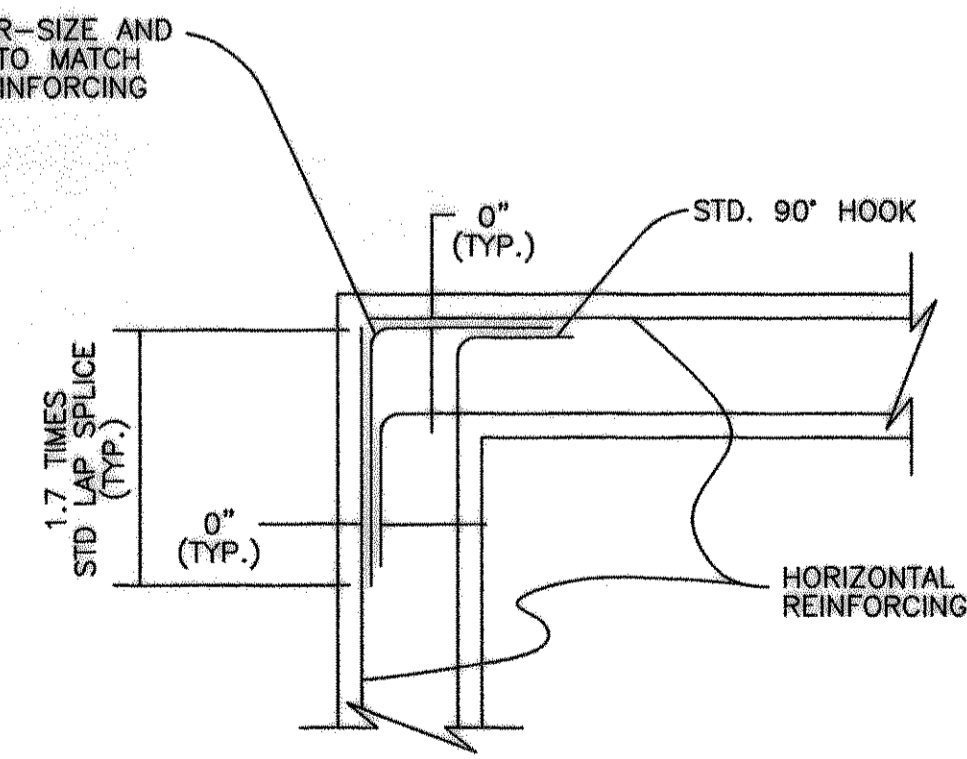
SINGLE CURTAIN REINFORCING AT INTERSECTION WITH DOUBLE CURTAIN REINFORCED WALL
N.T.S.



SINGLE CURTAIN REINFORCING AT WALL CORNER
N.T.S.



DOUBLE CURTAIN REINFORCING AT INTERSECTION WITH DOUBLE CURTAIN REINFORCED WALL
N.T.S.



DOUBLE CURTAIN REINFORCING AT WALL CORNER
N.T.S.

TYPICAL CORNER DETAILS

NOTE: VERTICAL REINFORCEMENT NOT SHOWN FOR CLARITY.



THE SEAL APPEARING ON THIS DOCUMENT IS THE PROPERTY OF W.L. DOUPHRATE II, TEXAS P.E. NO. 80102 ON 1/24/2004

DOUPHRATE & ASSOCIATES, INC.
ENGINEERING • PROJECT MANAGEMENT • SURVEYING
2231 RIDGE RD., # 200 ROCKWALL, TEXAS 75087
PHONE: (972)771-9004 FAX: (972)771-9005

STRUCTURAL DETAILS
MIMS ROAD REGIONAL
LIFT STATION
ROCKWALL, ROCKWALL COUNTY, TEXAS

REVISION
W.L.D. CHECKED
K.E.B. DRAWN
11/12/99 DATE
9825LS5 PROJECT

RECORD DRAWINGS:
THE INTENT OF THE OWNER AND ENGINEER WAS TO CONSTRUCT THESE FACILITIES ACCORDING TO THESE PLANS AS APPROVED BY THE CITY OF Rockwall. THE LINES AND GRADES WERE SET ON THE GROUND FOR CONSTRUCTION ACCORDING TO SAID PLANS. THE CITY OF Rockwall INSPECTED THE CONSTRUCTION. THE OWNER NOR ENGINEER DID NOT VERIFY LINES OR GRADES AFTER CONSTRUCTION. WE ARE NOT AWARE OF ANY CHANGES OR REVISIONS TO THESE PLANS DURING CONSTRUCTION EXCEPT AS NOTED