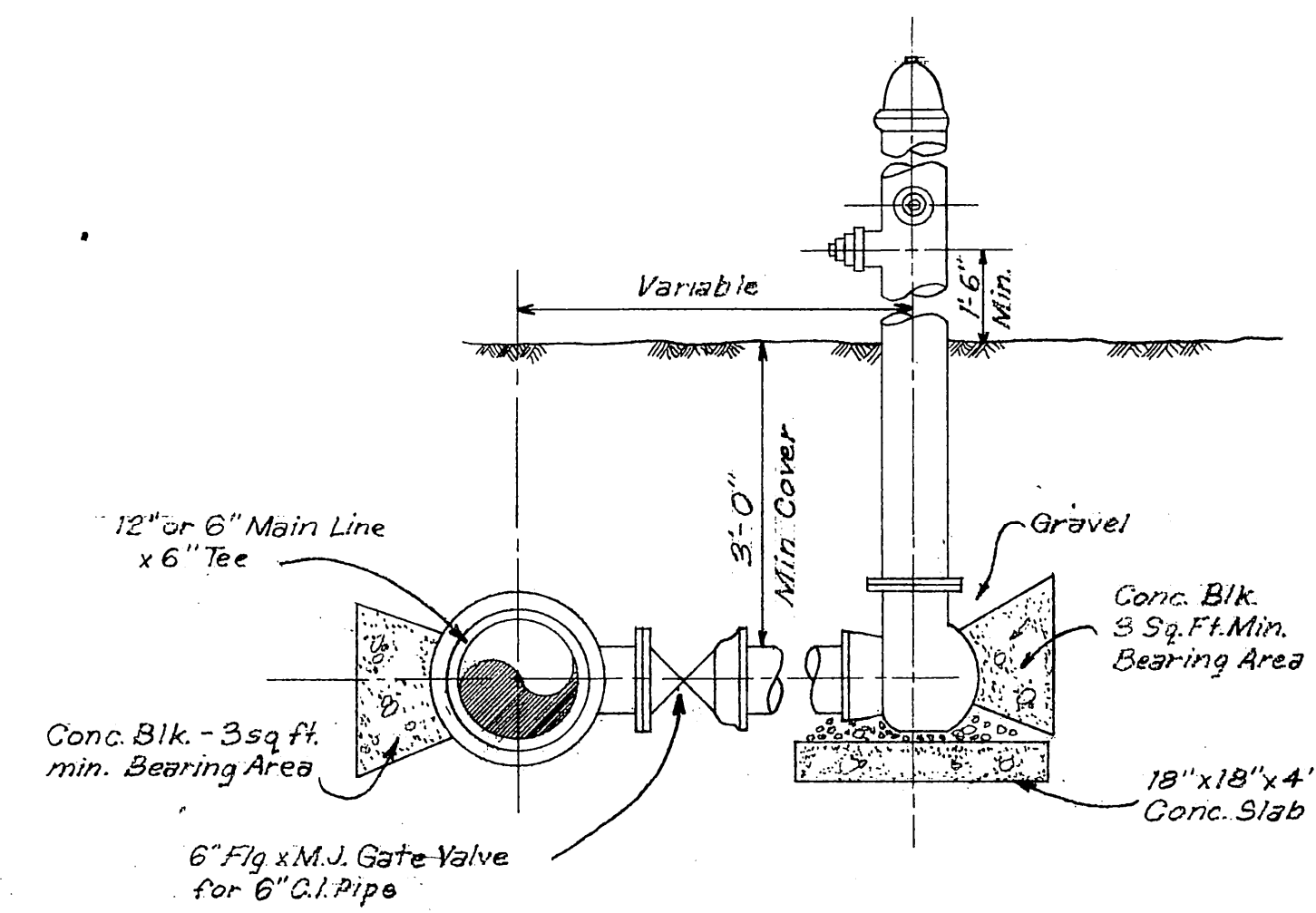


Diameter	SQUARE FEET (MINIMUM) AND CONCRETE QUANTITIES										DEPTH FEET (MINIMUM)		
	A	Cu. Yds.	B	Cu. Yds.	C	Cu. Yds.	D	Cu. Yds.	E	Cu. Yds.	F	G	H
6"	3	0.10	3	0.10	2	0.10	2	0.10	-	-	1.5	1.5	-
8"	4	0.15	4	0.15	2	0.10	2	0.10	-	-	1.5	1.5	1.0
10"	6	0.25	6	0.25	3	0.15	2	0.10	-	-	2.0	2.0	1.0
12"	6	0.40	6	0.40	4	0.20	3	0.15	2	0.10	2.0	2.0	1.5

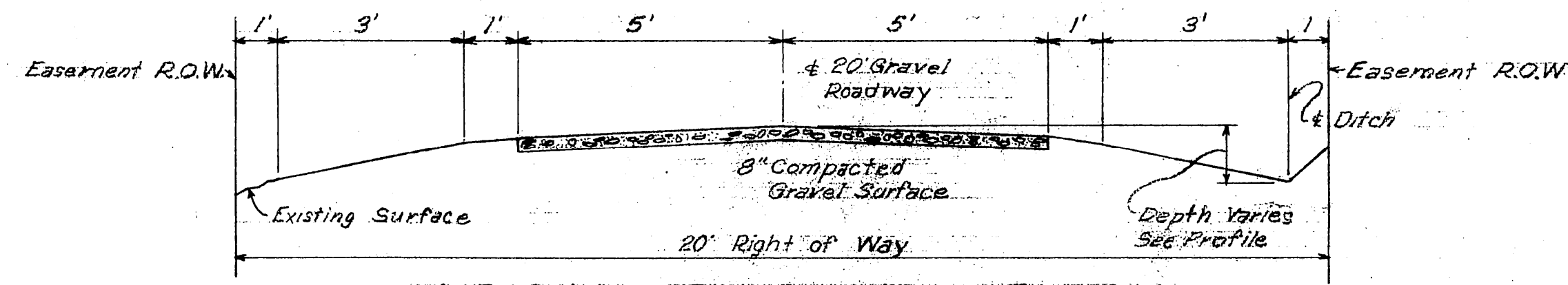
NOTE: The concrete quantities noted above shall be used for payment at the unit price bid for concrete blocking. Contractor shall form and pour concrete so as to leave joints accessible for caulking.

CONCRETE BLOCKING DETAILS



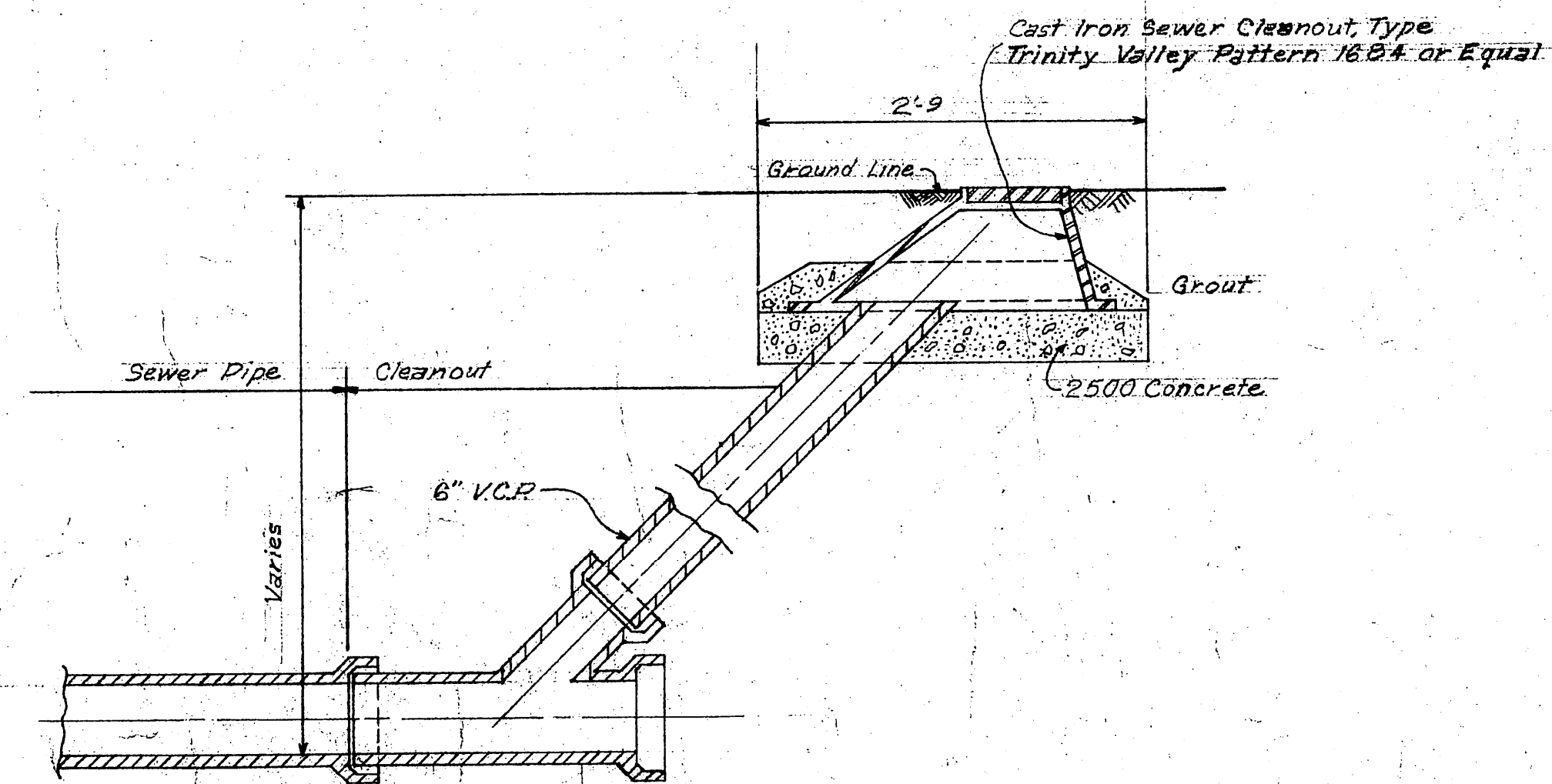
TYPICAL FIRE HYDRANT DETAIL

No Scale



TYPICAL ROADWAY SECTION

No Scale



SEWER CLEANOUT

Scale: 1" = 10'

REVISED AS BUILT  
DATE AUG. 1972

**ROCKWALL, TEXAS**

**SEWER SYSTEM IMPROVEMENTS**

**DETAILS**

DESIGNED: FREESE, NICHOLS & ENDRASS  
DRAWN: CONSULTING ENGINEERS  
CHECKED: FORT WORTH, TEXAS

