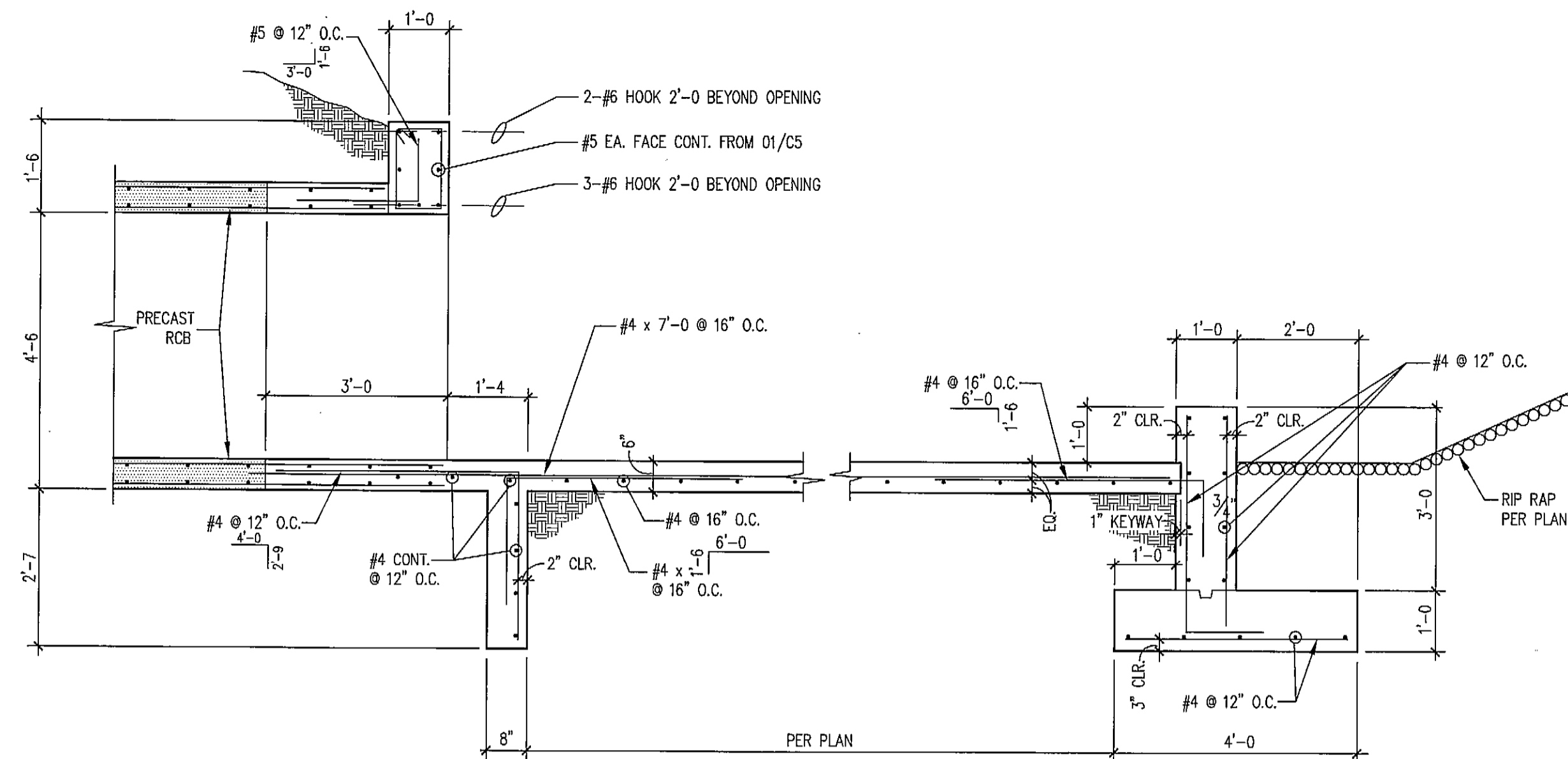
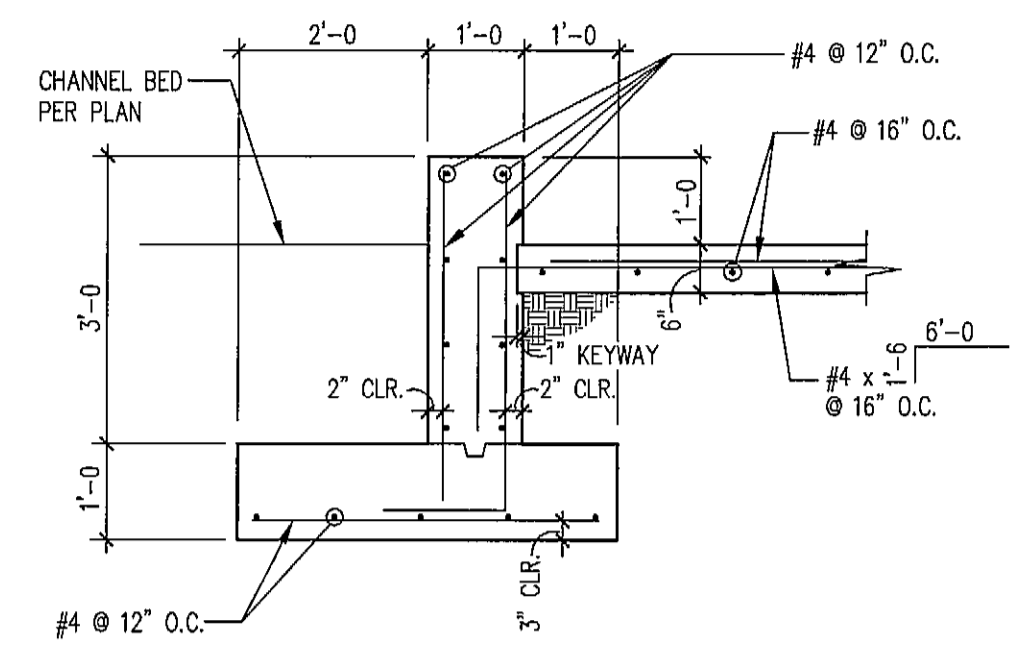


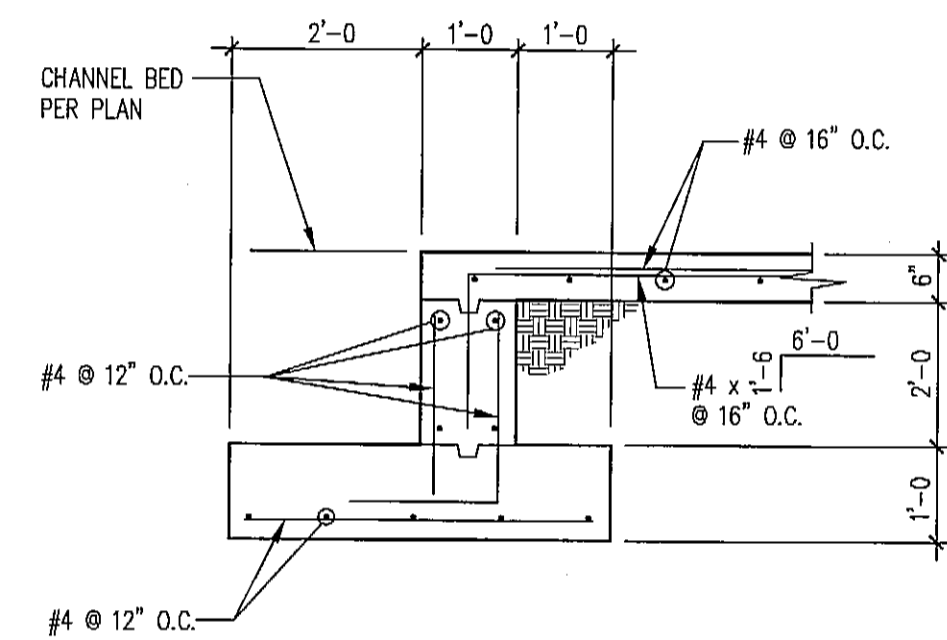
01  
SCALE: 1/2"=1'-0" (U.N.O.)



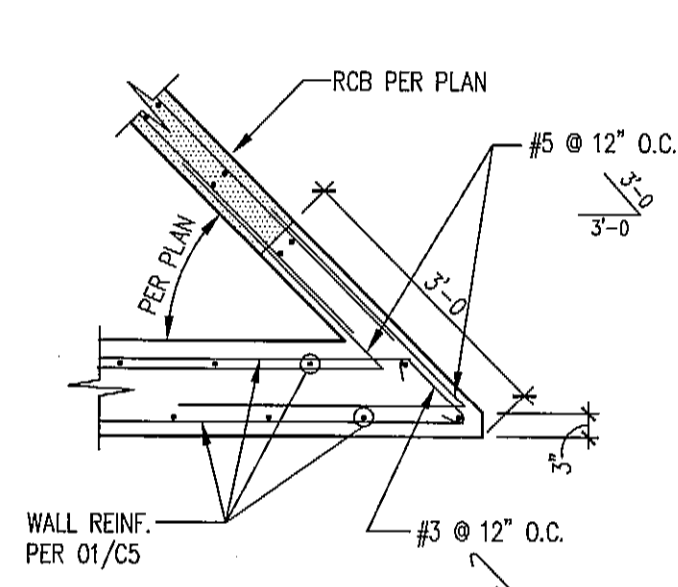
02



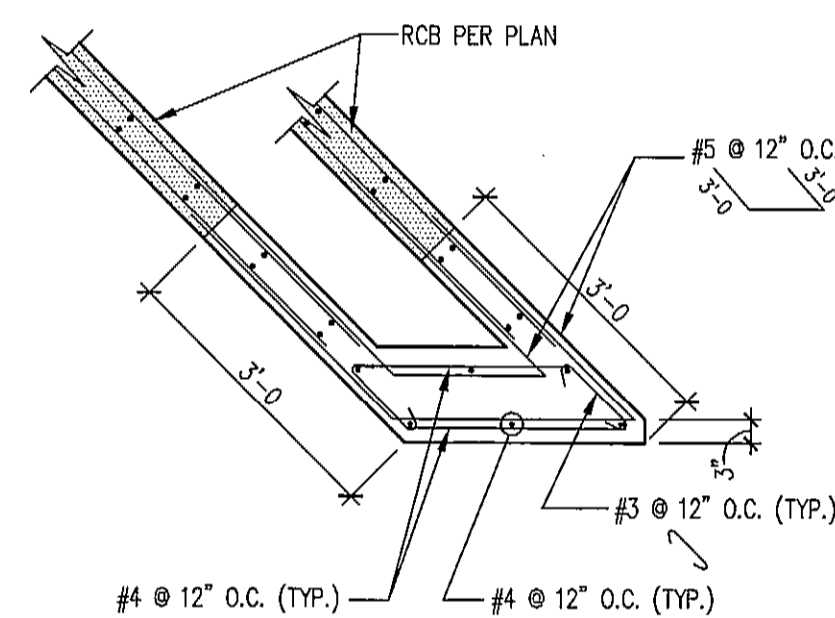
03



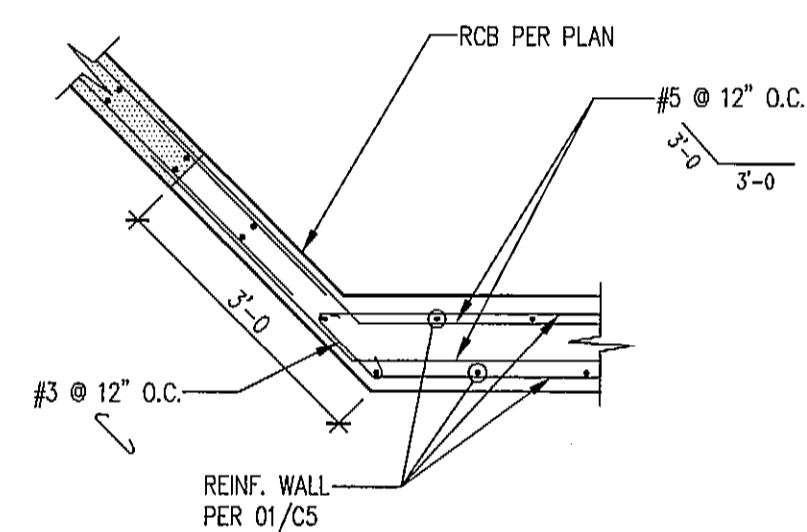
04



05

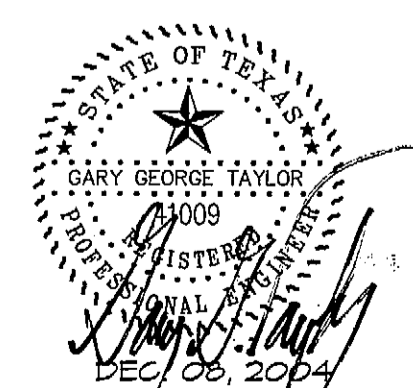


06



07

© Copyright 2004 Brockette/Davis/Drake, Inc. All Rights Reserved. No part of this drawing may be reproduced, stored in a retrieval system, or used in any form or by any means, without the prior written authorization of Brockette/Davis/Drake, Inc. is prohibited.



The seal appearing on this document was authorized by Gary George Taylor, P.E. 41009 on December 08, 2004. Alteration of a sealed document without proper notification to the responsible engineer is an offense under the Texas Engineering Act.

HEADWALL DETAILS						
LAKEFRONT TRAIL STORM SEWER						
DRAINAGE IMPROVEMENTS						
ROCKWALL, TEXAS						
 BROCKETTE · DAVIS · DRAKE, inc. consulting engineers Civil & Structural Engineering-Surveying 4144 North Central Expressway, Suite 1100, Dallas, Texas 75204 (214)824-3647, fax (214) 824-7064						
DESIGN	DRAWN	DATE	SCALE	NOTES	FILE	NO.
ALM	KDT	11/2004		BDD	C03360	C5

CI-DETAIL-RV