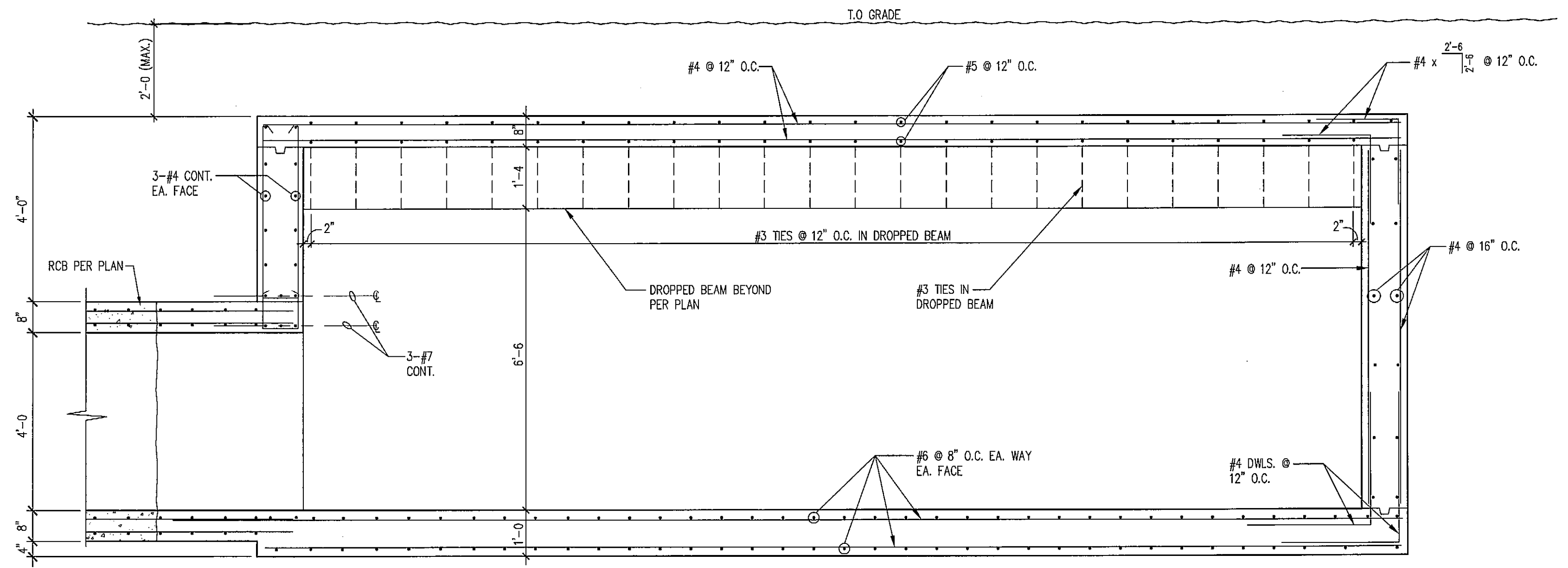
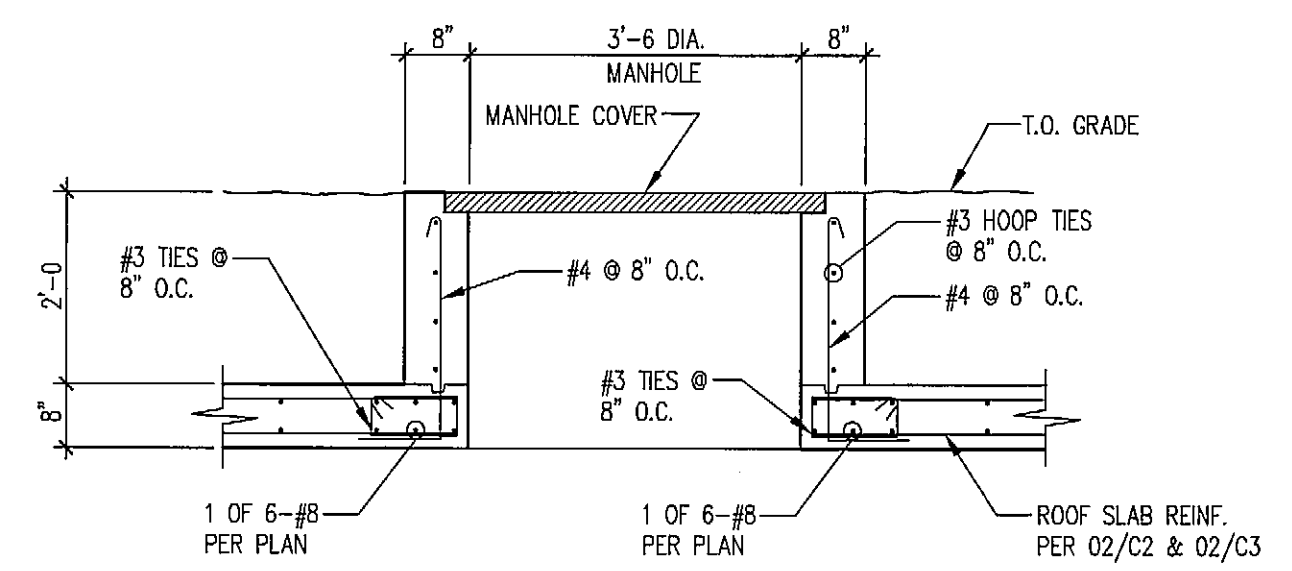


01
SCALE: 1/2"=1'-0" (U.N.O.)

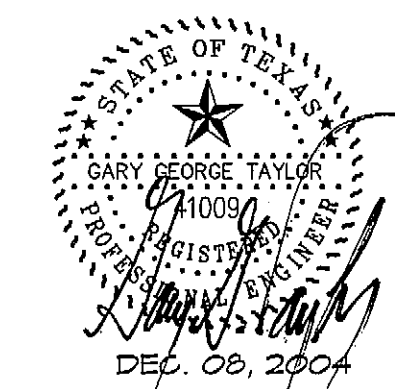


02



03

© Copyright 2004 Brockette/Davis/Drake, Inc. All Rights Reserved.
 This drawing is the property of Brockette/Davis/Drake, Inc.
 Any modification or reproduction without the written
 authorization of Brockette/Davis/Drake, Inc. is prohibited.



The seal appearing on this document was authorized by Gary George Taylor, P.E. 41009 on December 08, 2004. Alteration of a sealed document without proper notification to the responsible engineer is an offense under the Texas Engineering Act.

JUNCTION BOX DETAILS
LAKEFRONT TRAIL STORM SEWER
DRAINAGE IMPROVEMENTS
ROCKWALL, TEXAS

BROCKETTE · DAVIS · DRAKE, inc.
consulting engineers

Civil & Structural Engineering · Surveying
 4144 North Central Expressway, Suite 1100 Dallas, Texas 75204
 (214)824-3647, fax (214) 824-7064

DESIGN	DRAWN	DATE	SCALE	NOTES	FILE	NO.
ALM	KDT	11/2004		BDD	C03360	C3

01-DETAIL-RW