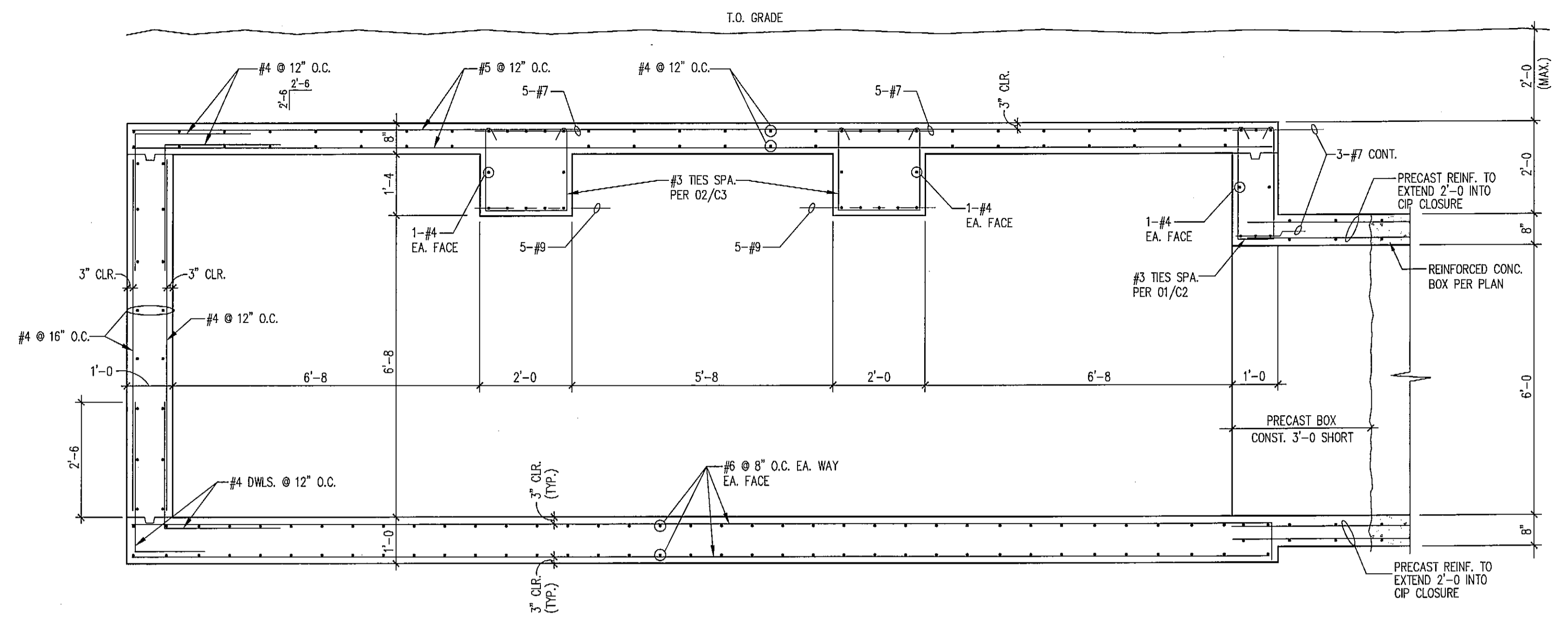
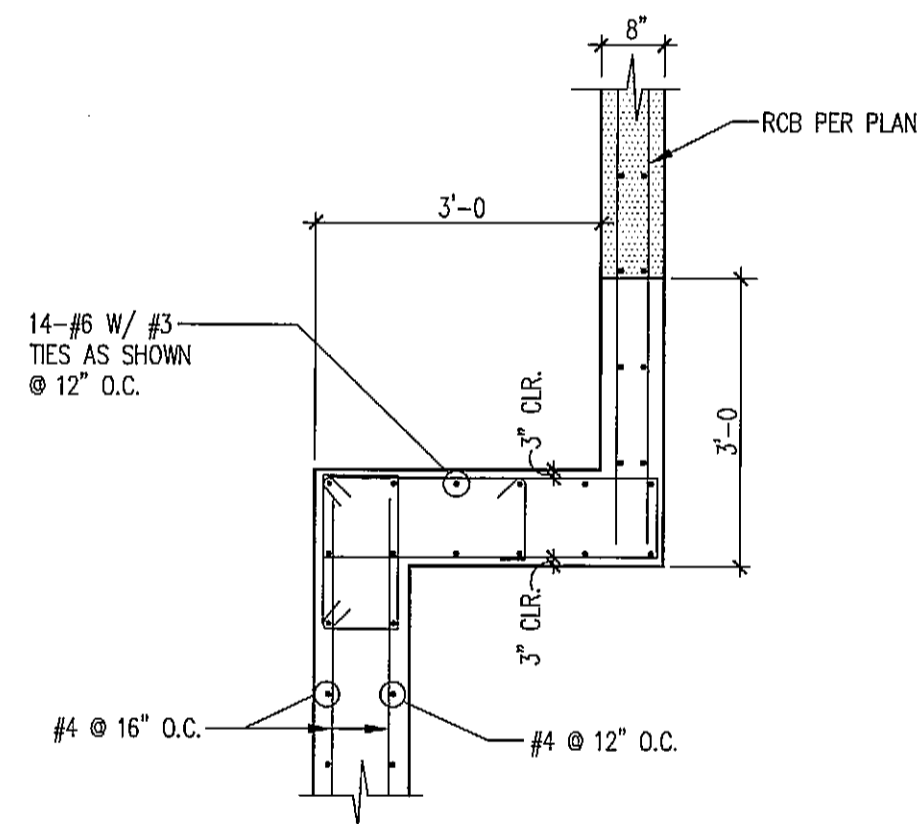


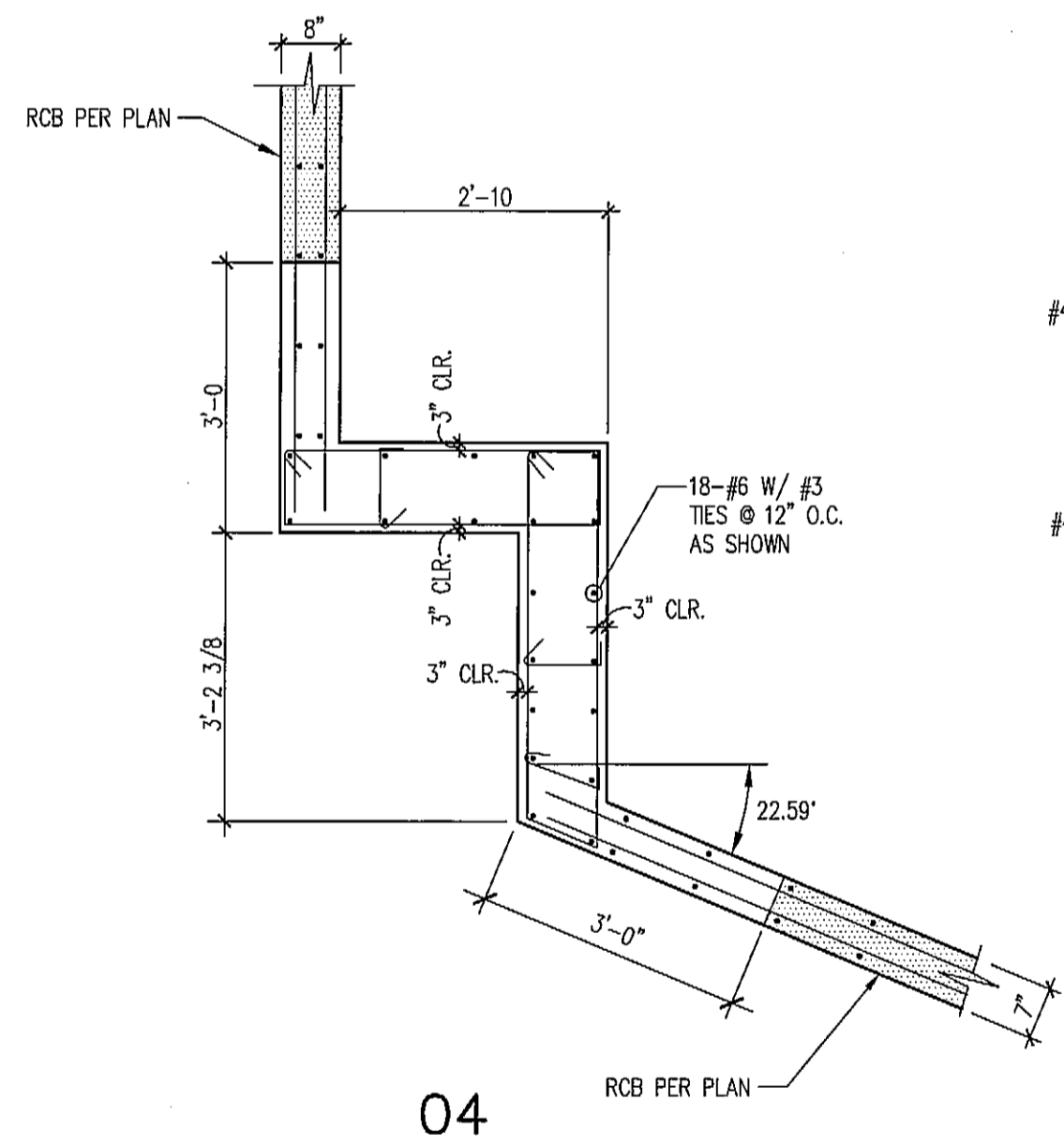
01
NOT TO SCALE



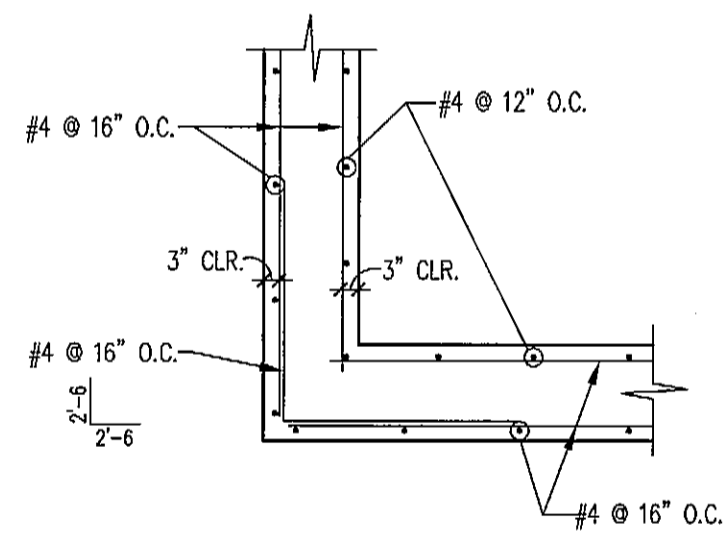
02



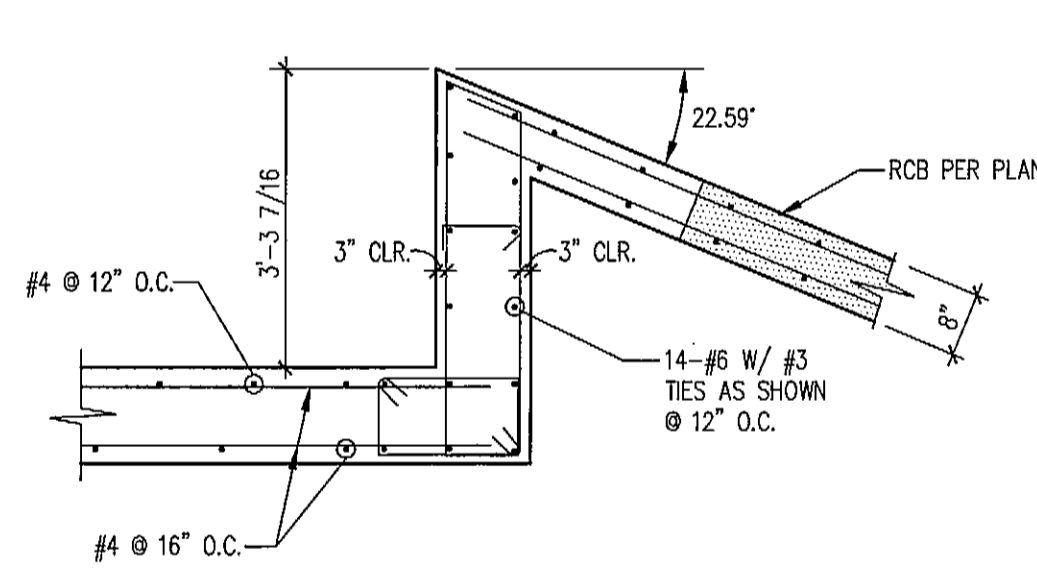
03



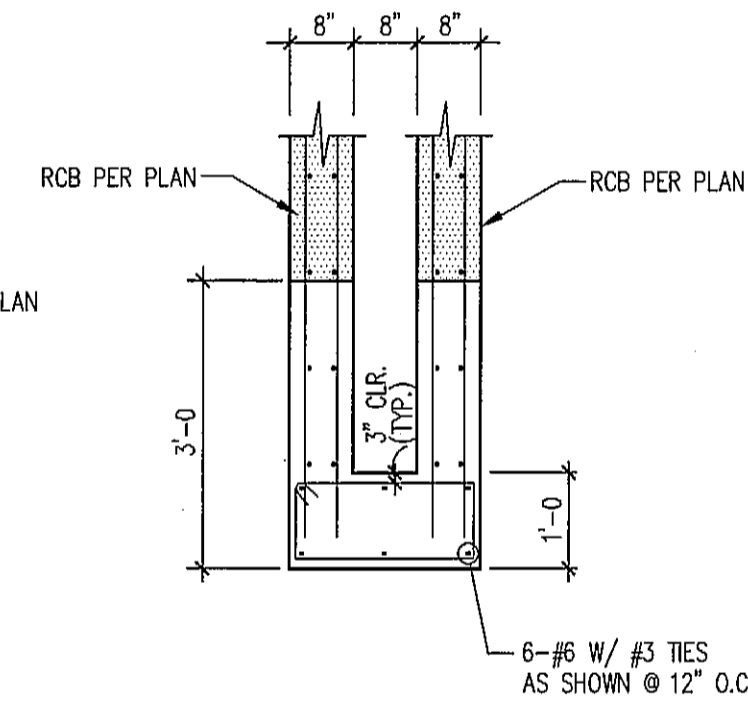
04



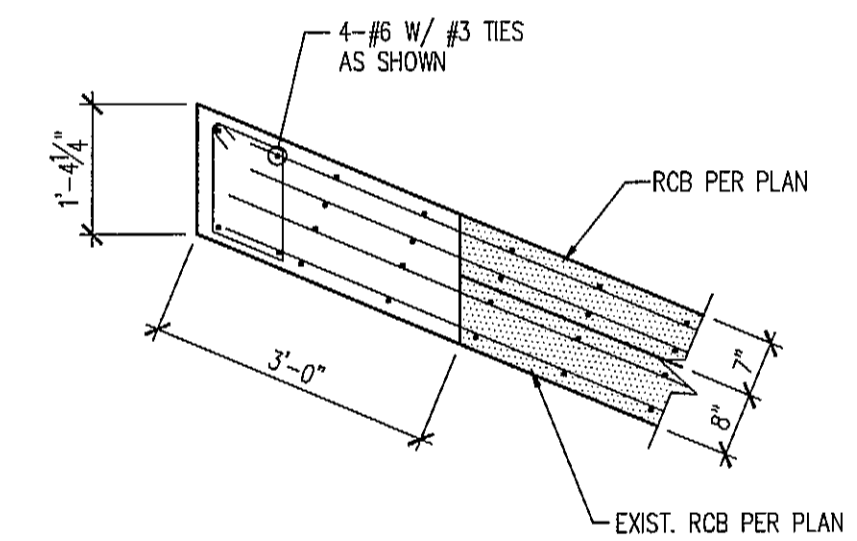
05



06

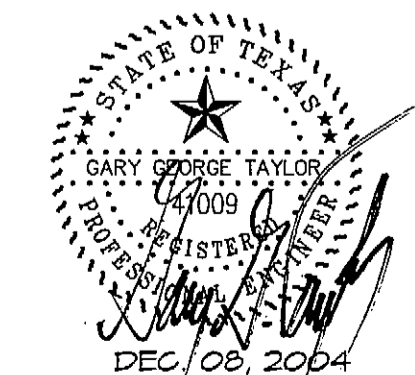


07



08

© Copyright 2004, Brockette/Davis/Drake, Inc. All Rights Reserved. No part of this document may be reproduced, stored in a retrieval system, or transmitted, in any form or by any means, without the prior written authorization of Brockette/Davis/Drake, Inc. is prohibited.



The seal appearing on this document was authorized by Gary George Taylor, P.E. 41009 on December 08, 2004. Alteration of a sealed document without proper notification to the responsible engineer is an offense under the Texas Engineering Act.

JUNCTION BOX DETAILS
LAKEFRONT TRAIL STORM SEWER
DRAINAGE IMPROVEMENTS
ROCKWALL, TEXAS

Brockette, Davis, Drake, inc.
consulting engineers

Civil & Structural Engineering/Surveying
4144 North Central Expressway, Suite 1100 Dallas, Texas 75204
(214)824-3647, fax (214) 824-7064

DESIGN	DRAWN	DATE	SCALE	NOTES	FILE	NO.
ALM	KDT	11/2004		BDD	C03360	C2

01-DETAIL-RW