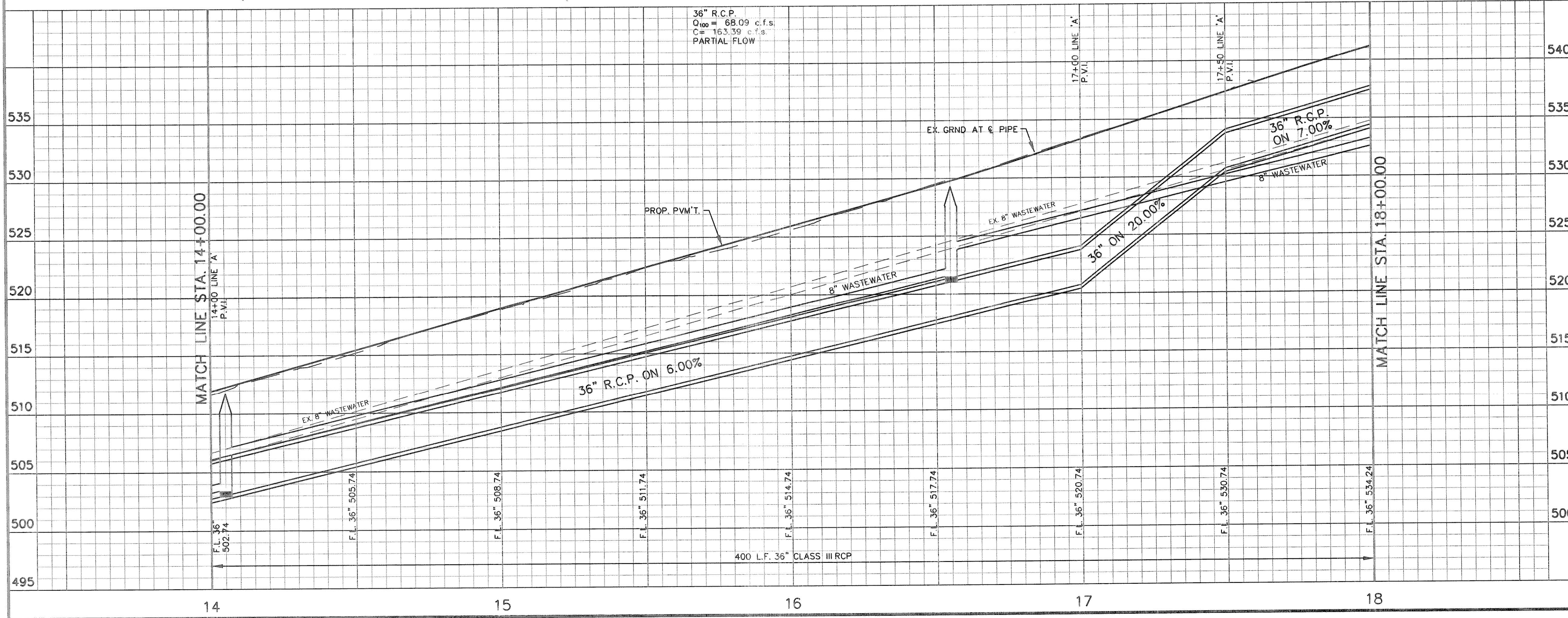
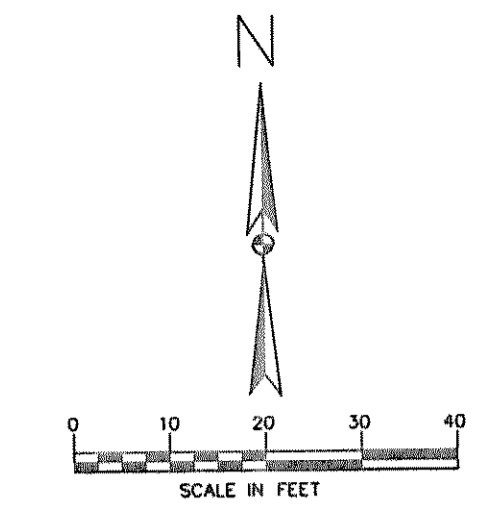
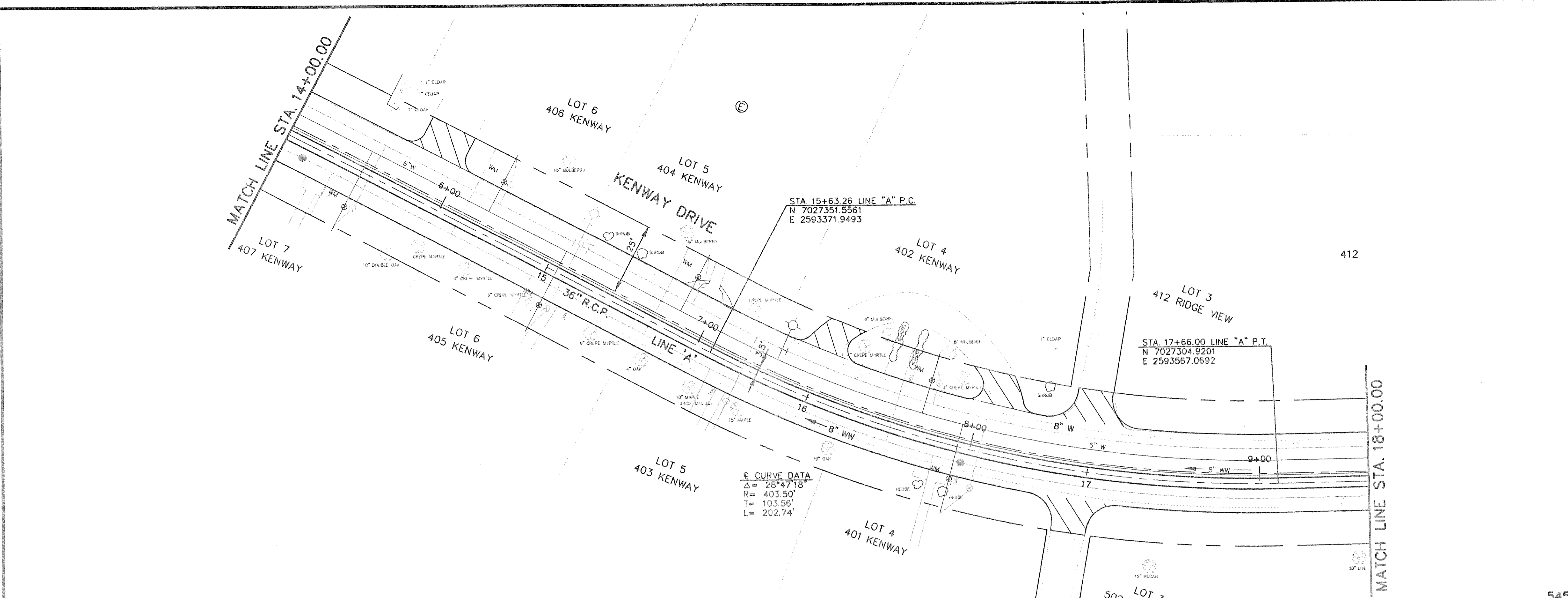


UWPLAN, 301801UWTR1.DGN, 17,18,20,21,48-54
 USSPLAN, 301801USSR1.DGN, 17,18,20,21,35-38,40,41
 CVALIGN, 301801CVAR1.DGN, 28
 UTPROF25TM, 301801UPFR2.DGN, 2,3,11,17,19,27,36,38,39,57,58,60
 USPLAN, 301801USDR1.DGN, 17-21,23-31
 UTPROF2WW, 301801UPFR2.DGN, 36,38,57,58

BORDER, 301801GBDR1.DGN, 1-4,7,11,12,21,30,31,37,40,41,45-48,50
 VFIELD, 301801VFR1.DGN, 20,24,26-28,43,56,57
 CHALIGN, 301801CHAR1.DGN, 1,3
 CSTPLAN, 301801CSIR1.DGN, 31,35
 CROW, 301801CRWR1.DGN, 3,5,6
 UXUTIL, 301801UEXR1.DGN, 25,28,36,37,55,56

theersse
 SCALE=20.000000
 PRF ROTATION=270.000000
 F:\1b\14\FUL\FULL.TBL

h:\proj\01301801\dgn\301801USD03.DGN
 DATE: 7/29/03
 TIME: 07:58:47



545

540

535

530

525

520

515

510

505

500

500

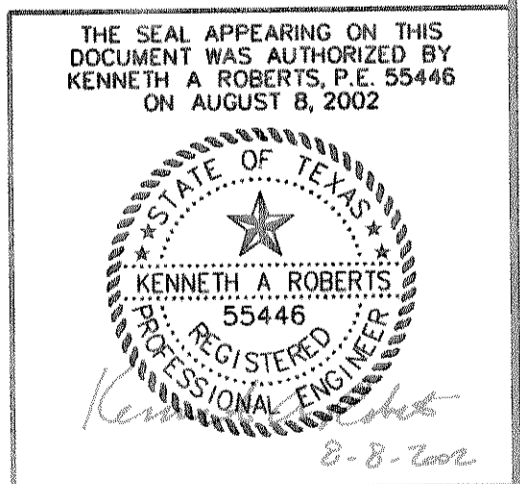
500

495

h:\proj\01301801\dgn\301801USD03.DGN

RECORD DRAWINGS JULY 25, 2003
 THIS RECORD DOCUMENT HAS BEEN PREPARED BASED ON INFORMATION PROVIDED BY OTHERS. THE CONSULTANT HAS NOT VERIFIED THE ACCURACY AND/OR COMPLETENESS OF THIS INFORMATION AND SHALL NOT BE RESPONSIBLE FOR ANY ERRORS OR OMISSIONS THAT MAY BE INCORPORATED AS A RESULT OF ERRONEOUS INFORMATION PROVIDED BY OTHERS.

- BENCHMARKS:
- BM #1 "□" CUT ON BACK OF CURB NORTH SIDE OF SHORETRAIL DRIVE APPROXIMATELY 150 FT. WEST OF THE INTERSECTION OF SHORETRAIL DR. AND RIDGE VIEW, ALSO AT SOUTH SIDE BASE OF POWER POLE.
ELEVATION = 550.33
 - BM #2 "□" CUT ON BACK OF CURB ϵ OF A CURB INLET ON SOUTH SIDE OF LAKE MEADOWS DR. BETWEEN LAKE MEADOWS DR. AND LAKE MEADOW CIRCLE IN FRONT OF HOUSE # 709.
ELEVATION = 484.53



NO.	DATE	REVISIONS	APPROVED

STORMWATER PLAN & PROFILE
LINE 'A' STA. 14+00 TO 18+00
RIDGE VIEW ADDITION REHAB

HUITT-ZOLLARS
 HUITT-ZOLLARS, Inc. Dallas
 3131 McKinney Avenue, Suite 600 Dallas, Texas 75204-2480
 Phone (214) 971-3311 Fax (214) 871-0757

CITY OF ROCKWALL, TEXAS

DESIGN	DRAWN	APPR.	SCALE	DATE	PROJECT NO.	NO.
HZI	HZI	KAR	H: 1"=20' V: 1"=5'	AUGUST 2002	01-3018-01	ST-5