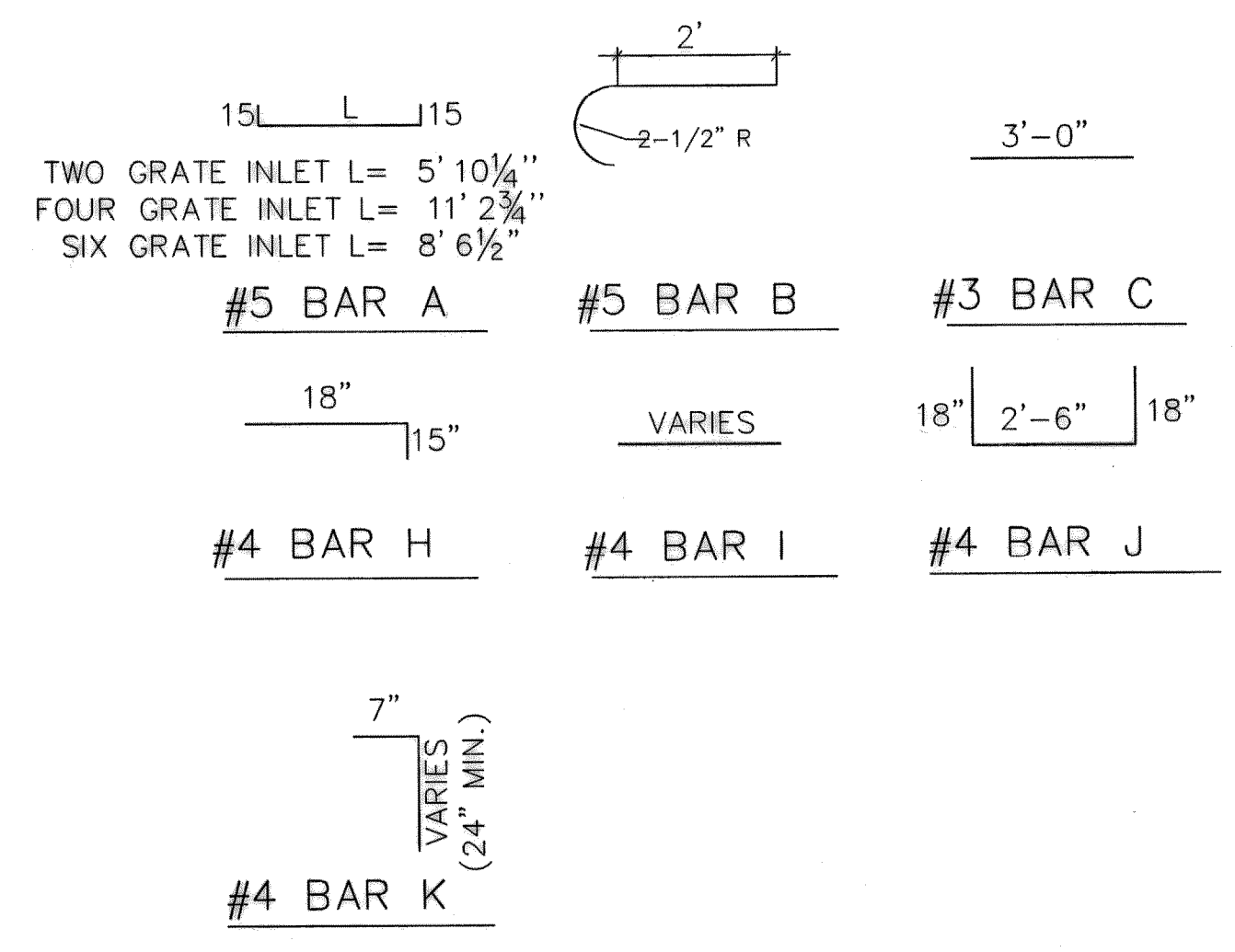
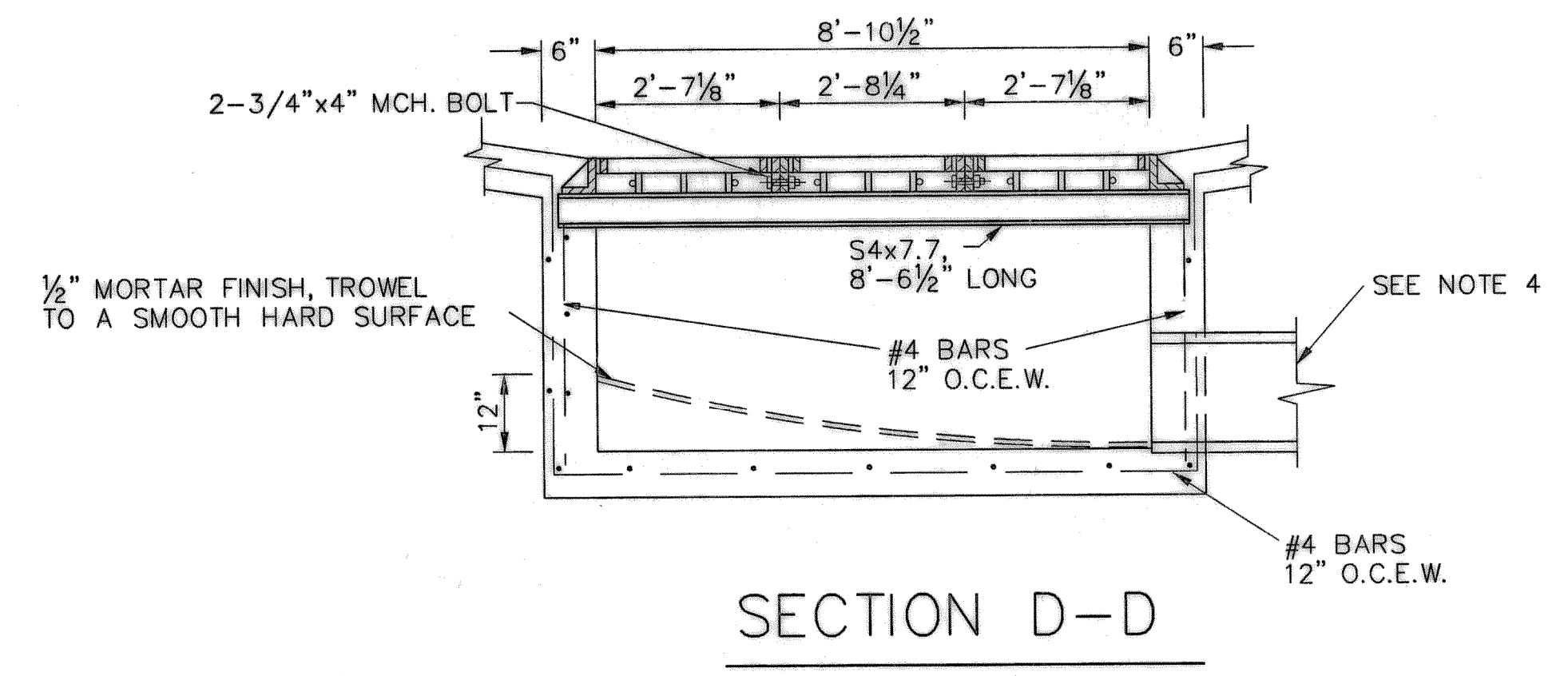
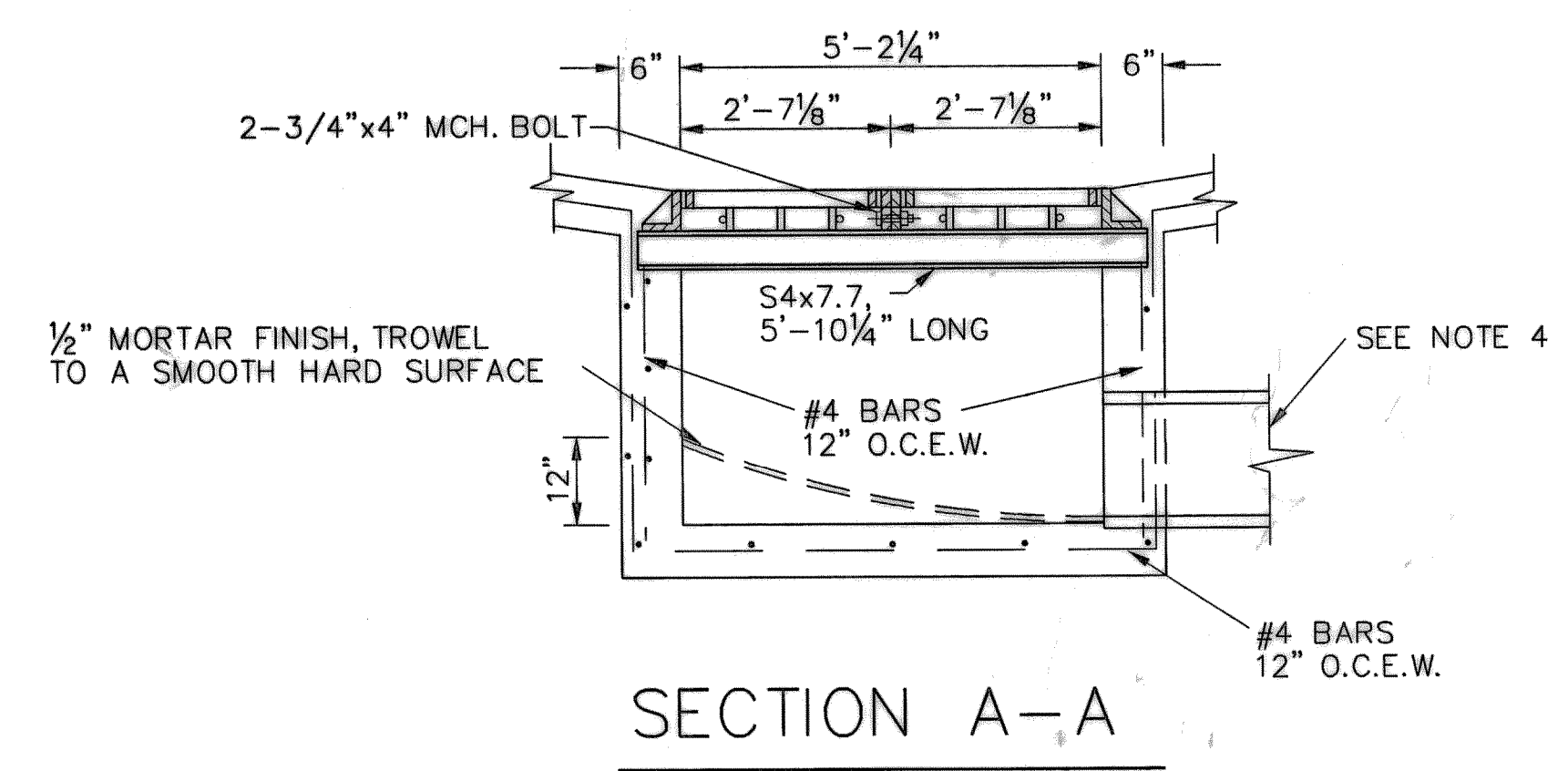
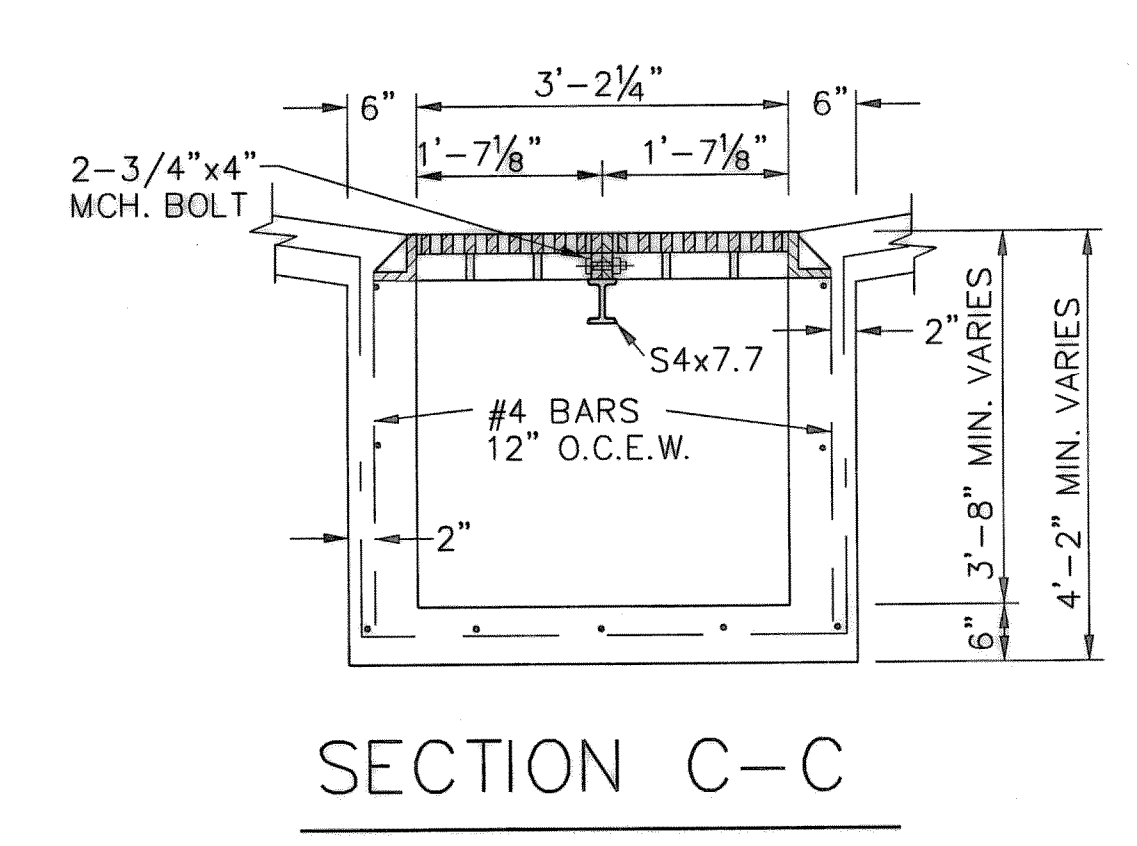
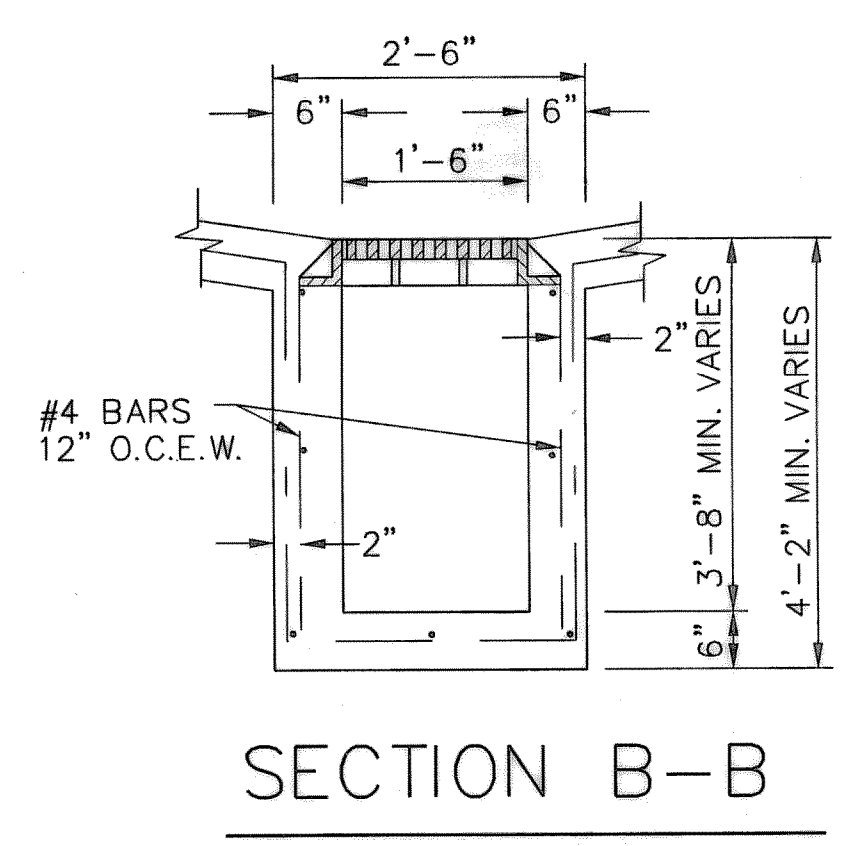
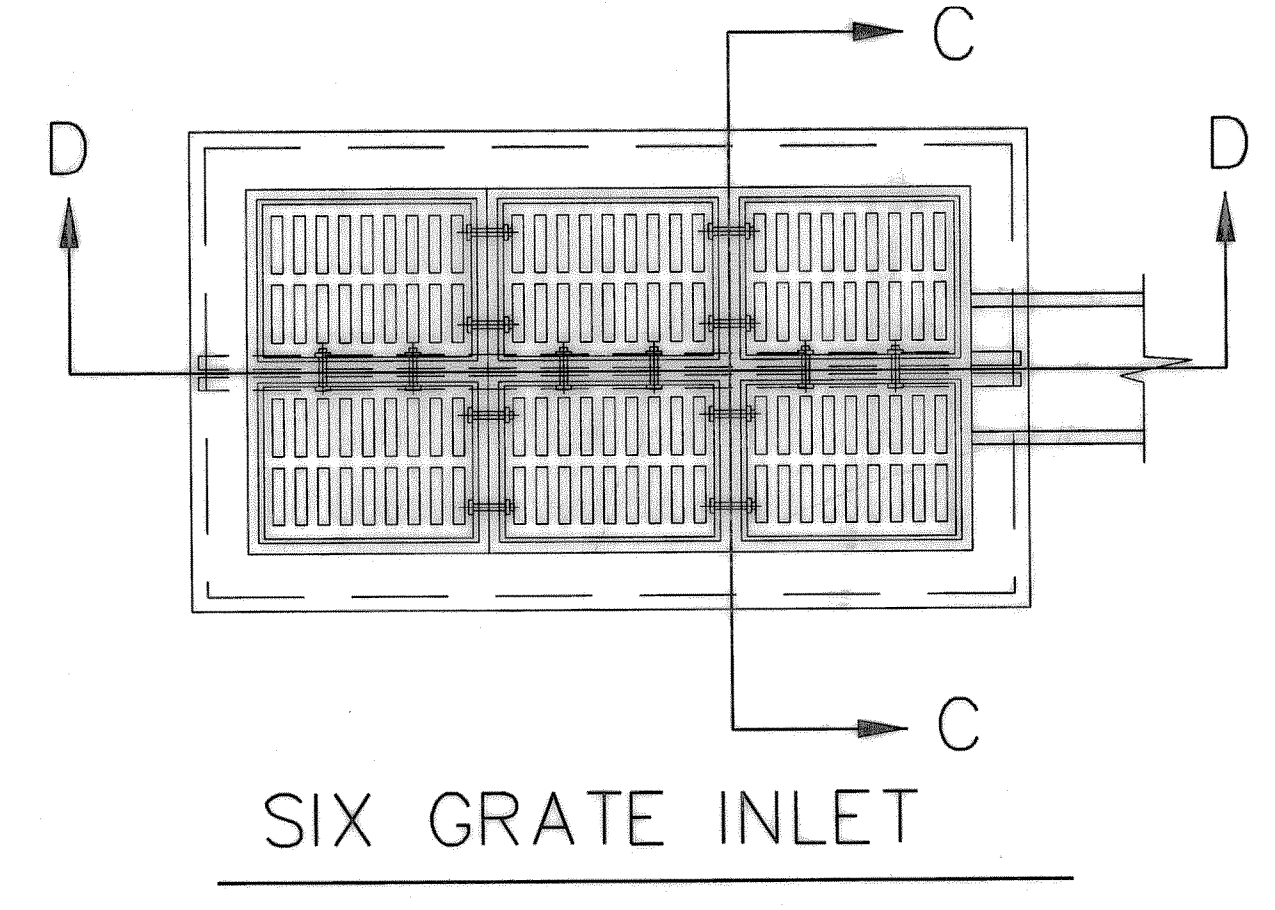
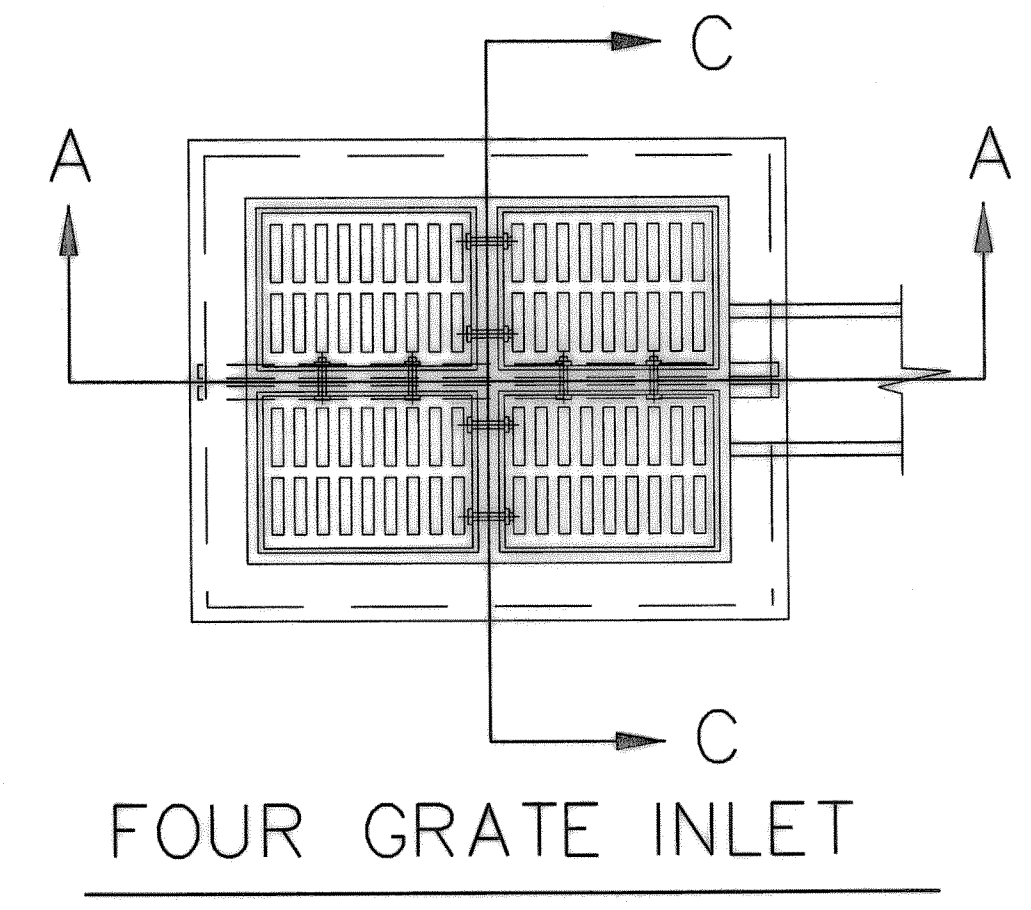
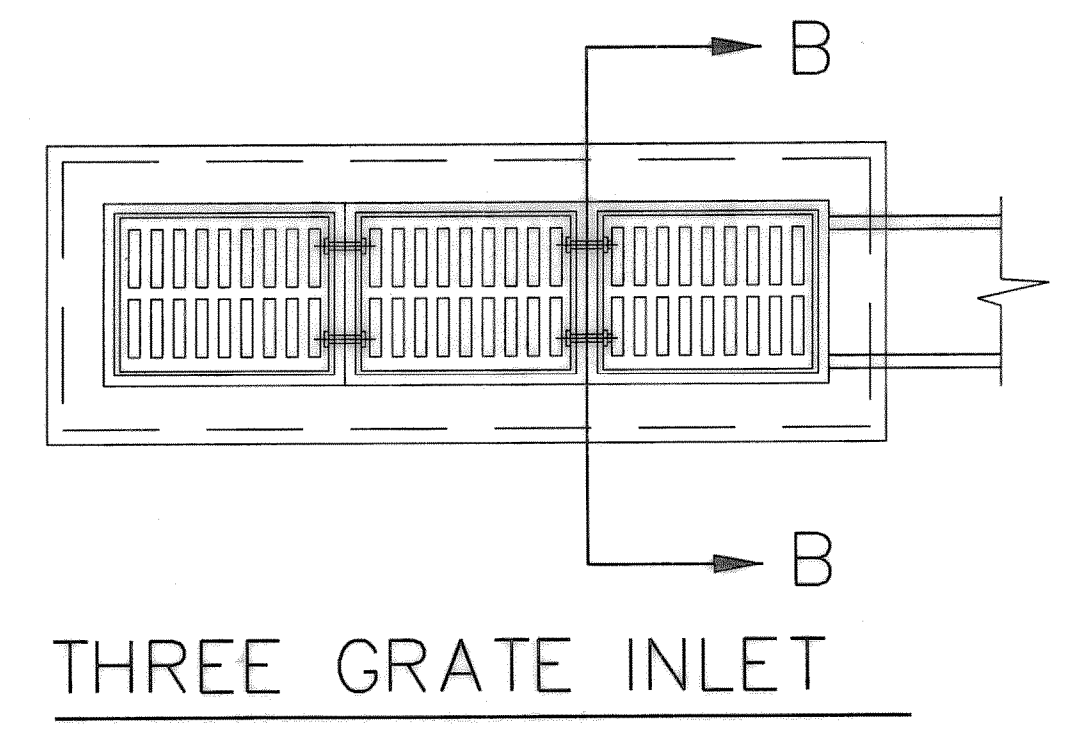
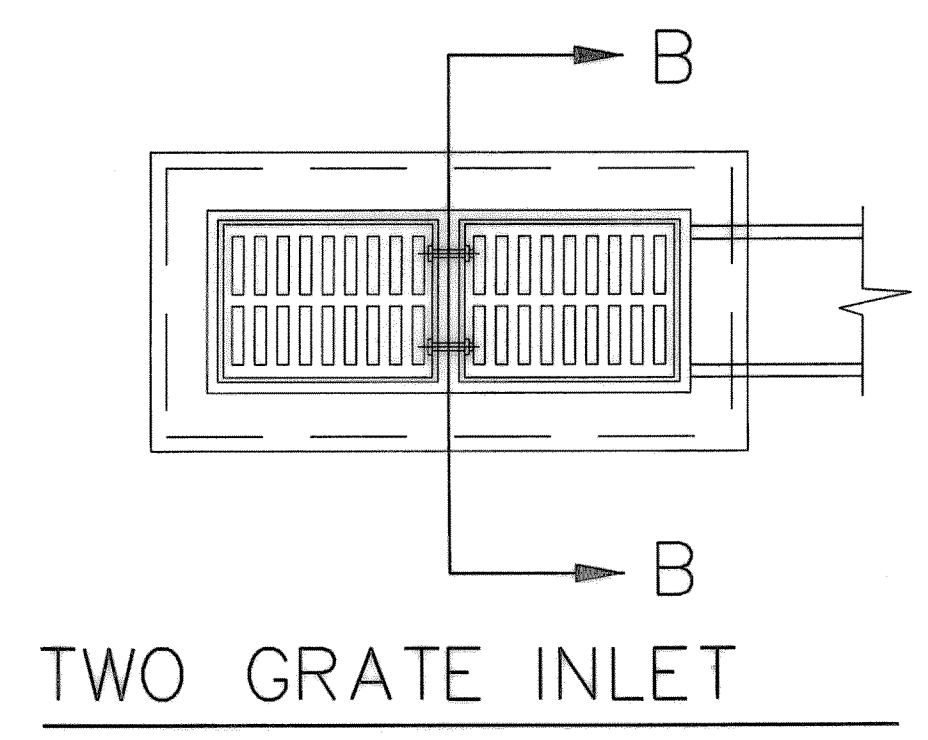


\*no ref logical\*, \*no ref name\*, \*no ref levels\*  
 \*no ref logical\*, \*no ref name\*, \*no ref levels\*  
 \*no ref logical\*, \*no ref name\*, \*no ref levels\*  
 \*no ref logical\*, \*no ref name\*, \*no ref levels\*  
 \*no ref logical\*, \*no ref name\*, \*no ref levels\*  
 \*no ref logical\*, \*no ref name\*, \*no ref levels\*

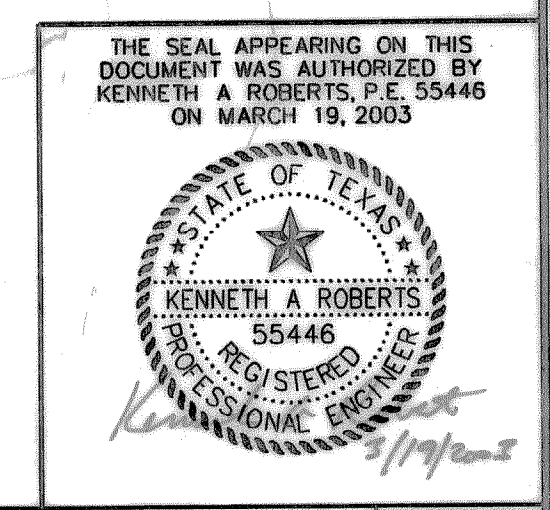
BORDER: 301801CDT05.DGN, 1-4.21.26.30.31.40.41.45-47.50.61.63  
 \*no ref logical\*, \*no ref name\*, \*no ref levels\*  
 \*no ref logical\*, \*no ref name\*, \*no ref levels\*  
 \*no ref logical\*, \*no ref name\*, \*no ref levels\*  
 \*no ref logical\*, \*no ref name\*, \*no ref levels\*  
 \*no ref logical\*, \*no ref name\*, \*no ref levels\*  
 \*no ref logical\*, \*no ref name\*, \*no ref levels\*

theresa  
 SCALE=20.000000  
 PRF ROTATION=90.000000  
 F:\HW\HZIFULL.TBL

h:\proj\01301801\dgn\301801CDT05.DGN  
 DATE:3/19/03  
 TIME:11:05:53



- NOTES:
1. ALL LAPS AND EXTENSIONS OF REINFORCING BARS SHALL BE 30 BAR DIAMETERS UNLESS NOTED OTHERWISE.
  2. TACK WELD GRATES IN PLACE OR USE GRATE LOCK.
  3. GRATE & FRAME SHALL BE PATTERN NO. 814 AS MANUFACTURED BY BASS & HAYES FOUNDRY, INC. OR APPROVED EQUAL.
  4. PIPE MAY BE PLACED IN ANY WALL, BUT SHALL NOT ENTER ANY CORNER, OR BOTTOM.
  5. CONCRETE TO BE MINIMUM OF 3600 PSI @ 28 DAYS.



| NO.                                 | DATE  | REVISIONS | APPROVED |            |             |     |
|-------------------------------------|-------|-----------|----------|------------|-------------|-----|
|                                     |       |           |          |            |             |     |
|                                     |       |           |          |            |             |     |
|                                     |       |           |          |            |             |     |
| <b>DETAILS</b>                      |       |           |          |            |             |     |
| <b>2, 3, 4 &amp; 6 GRATE INLETS</b> |       |           |          |            |             |     |
| <b>RIDGE VIEW ADDITION REHAB</b>    |       |           |          |            |             |     |
| <b>HUITT-ZOLLARS</b>                |       |           |          |            |             |     |
| <b>CITY OF ROCKWALL, TEXAS</b>      |       |           |          |            |             |     |
| DESIGN                              | DRAWN | APPR.     | SCALE    | DATE       | PROJECT NO. | NO. |
| HZI                                 | HZI   | KAR       | N.T.S.   | MARCH 2003 | 01-3018-01  | D-2 |