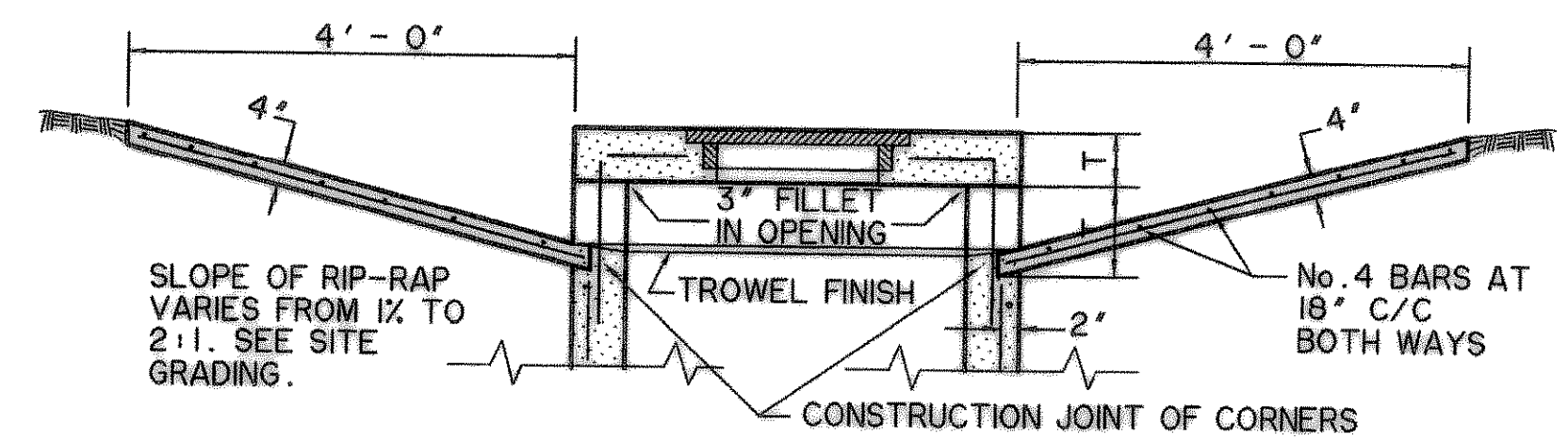
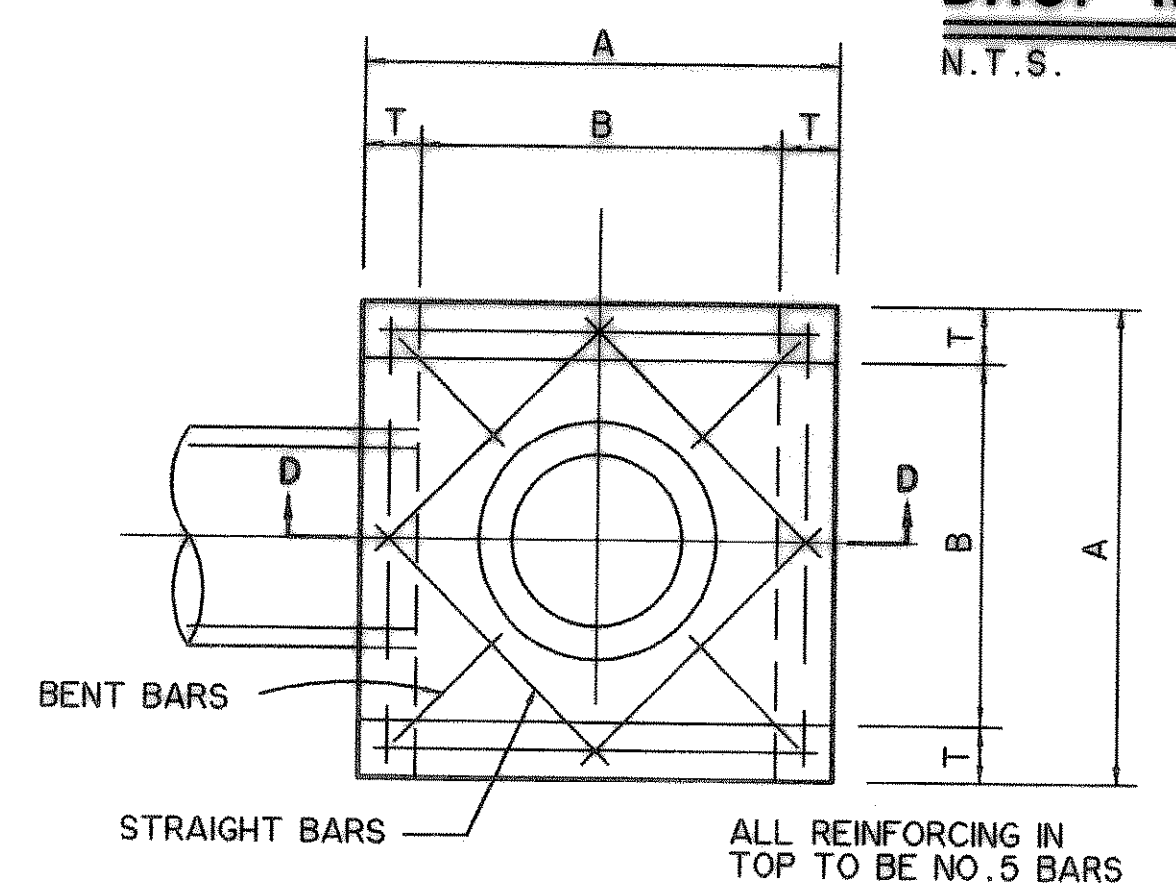


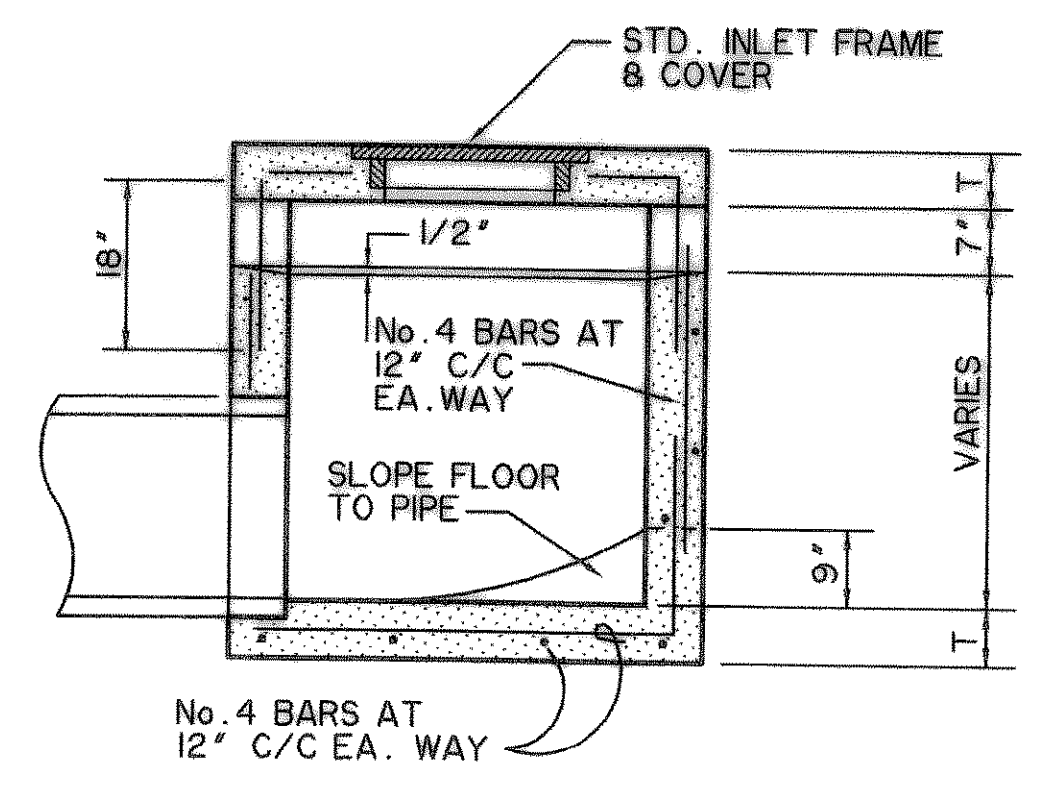
JUNCTION BOX DETAIL
N.T.S.



DROP INLET RIP-RAP
N.T.S.

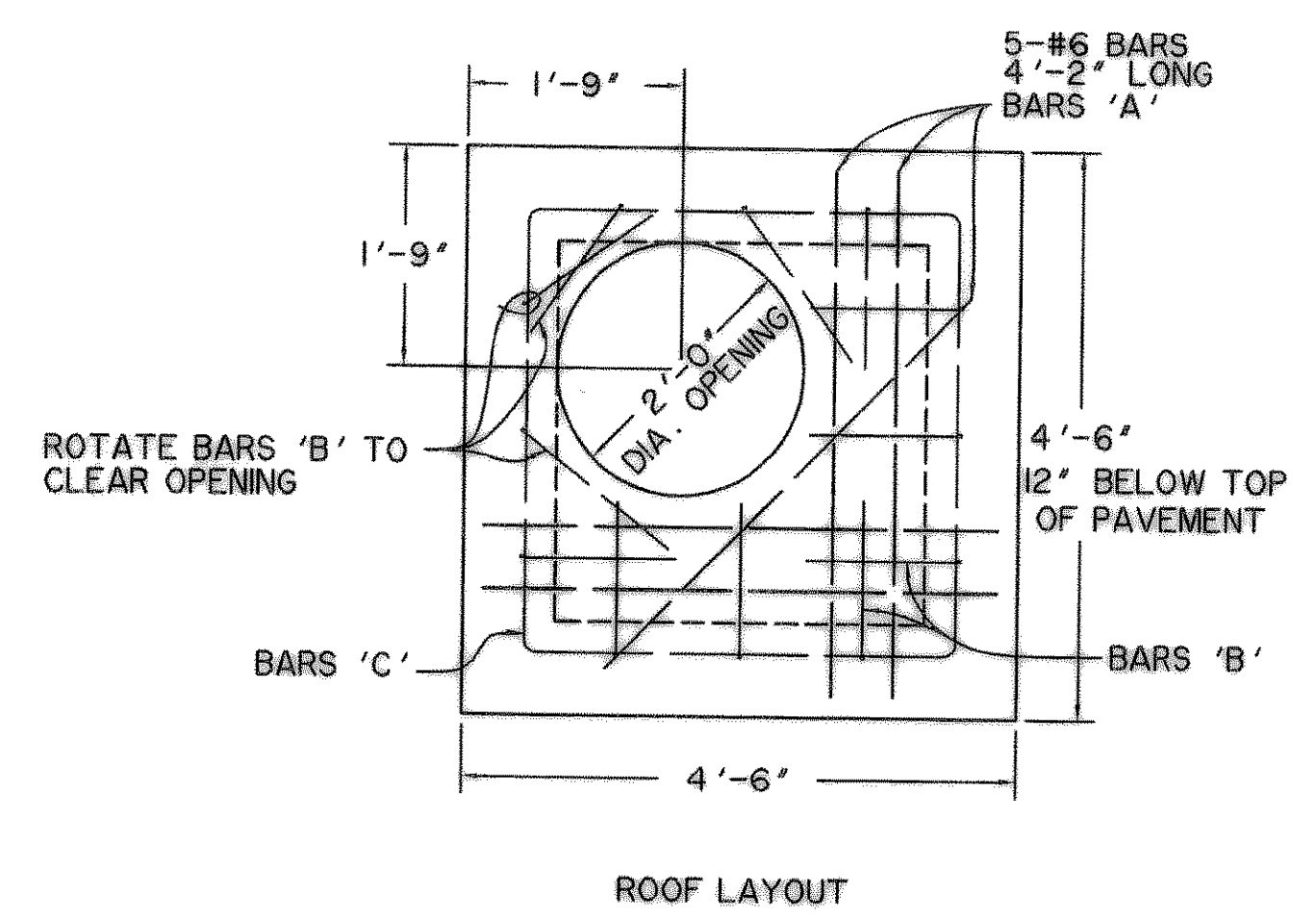


PLAN
N.T.S.



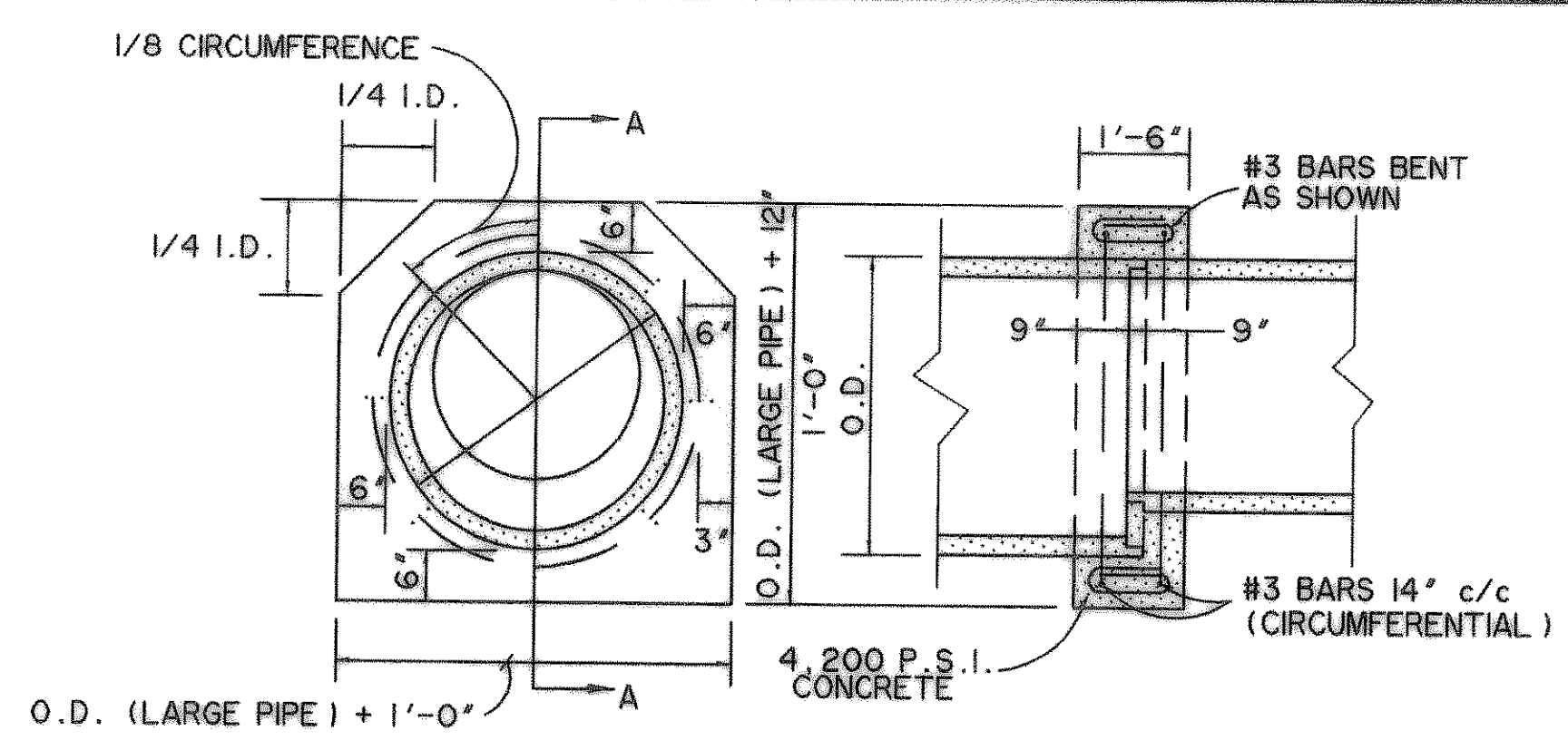
SECTION D-D
N.T.S.

DROP INLET
N.T.S.

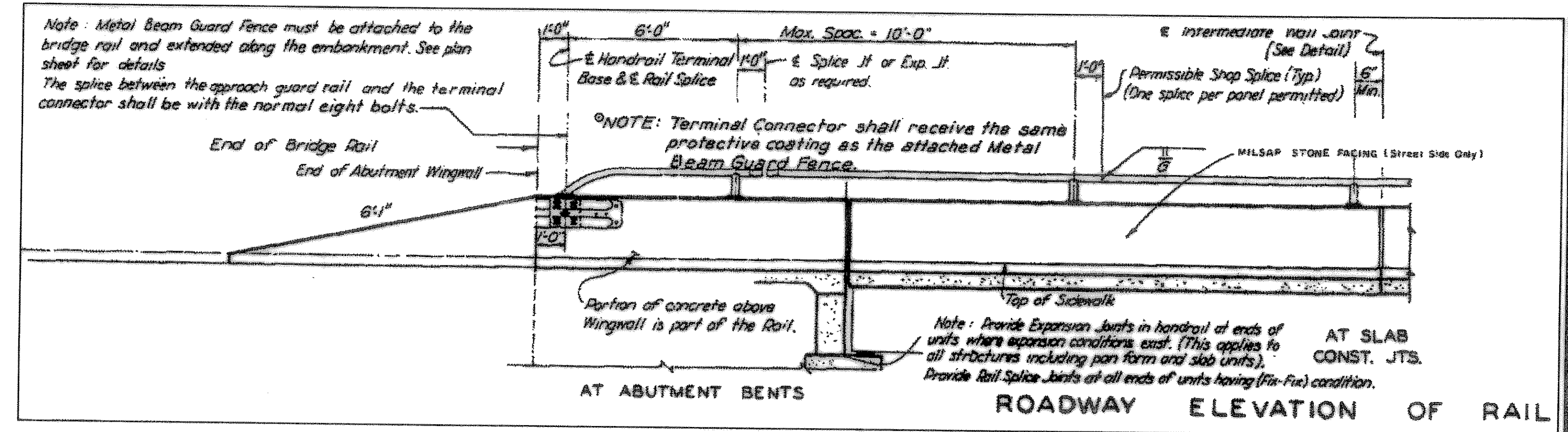


ROOF LAYOUT

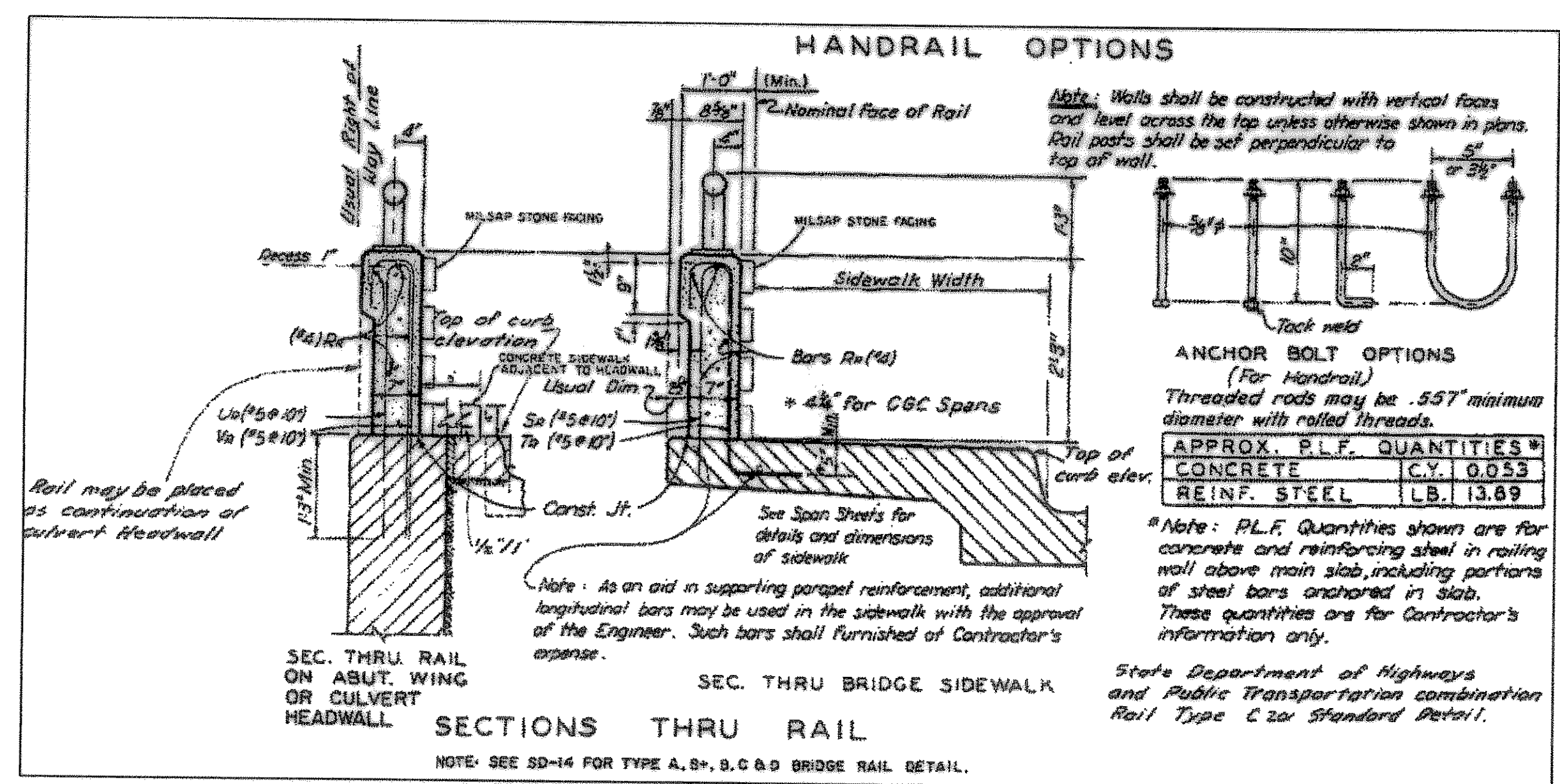
RECORD DRAWING
2/18/09



CONCRETE COLLAR
N.T.S.



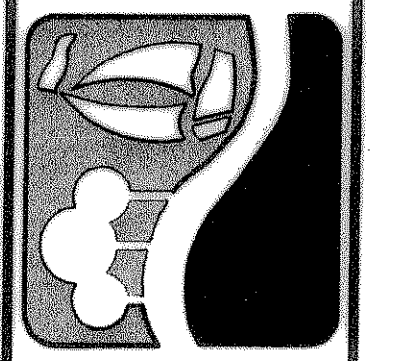
HAND RAIL
N.T.S.



SECTIONS THRU RAIL
NOTE: SEE SD-14 FOR TYPE A, B, C & D BRIDGE RAIL DETAIL.

PARAPET WALL
N.T.S.

PREPARED BY:
WIER & ASSOCIATES, INC.
ENGINEERS SURVEYORS LAND PLANNERS
701 HIGHLANDER BLVD., SUITE 300 ARLINGTON, TEXAS 76010 METRO (817)467-7700
6848 ELM STREET FRISCO, TEXAS 75034 METRO (214)387-8000
www.wierassociates.com



CITY OF ROCKWALL JUSTIN ROAD EXTENSION

STORM DRAIN DETAILS

STATE OF TEXAS
RONALD RAMIREZ
REGISTERED PROFESSIONAL ENGINEER
61821
Ronald Ramirez
COPYRIGHT © WIER & ASSOCIATES, INC.
LAST SHEET EDIT DATE 02-18-2009
WA# 04124.01
SHEET NO. D201

TIME: 10:48 FILE: SD-Details-04124.01.dwg