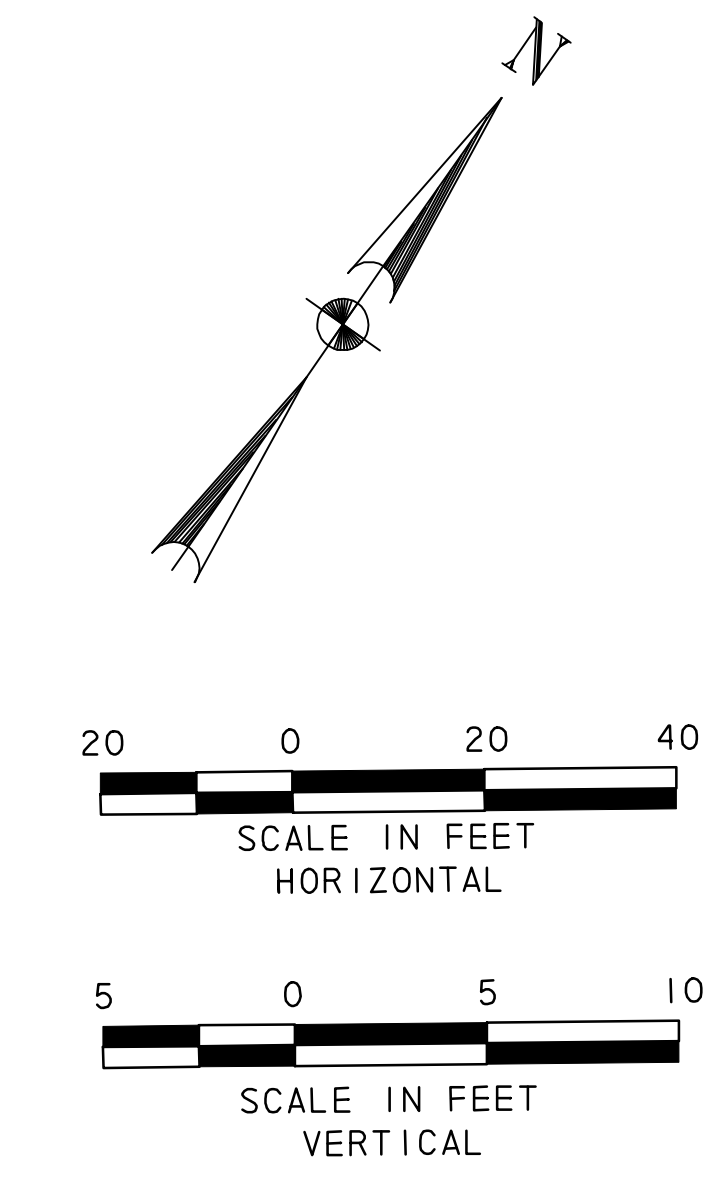
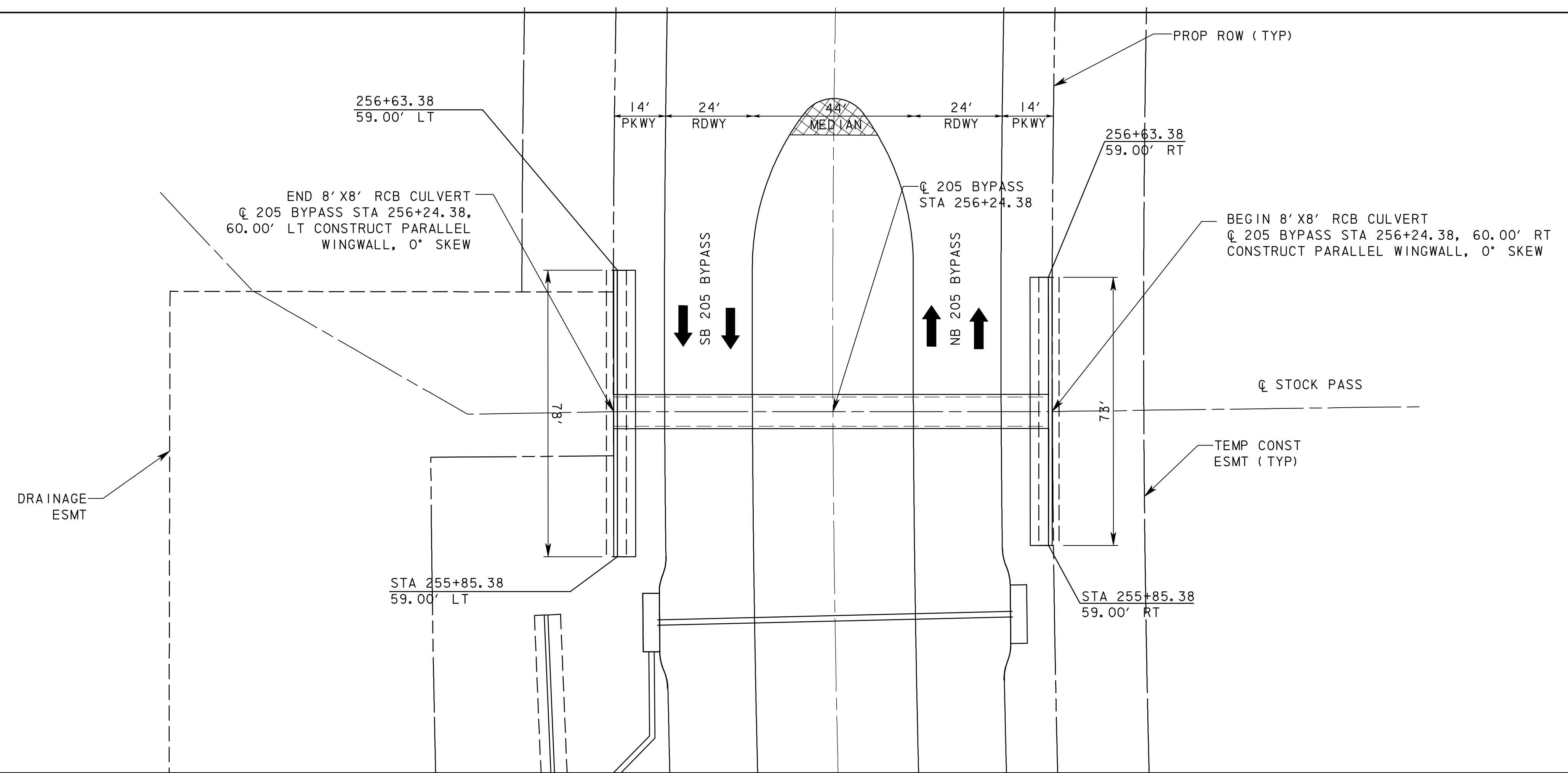


\\usda11rpd001\PM\4328\60004153-205Bypass\CADD\Sheets\Phase 6 - FMS52 To 205\Record Drawing 10_7_09\RAND_STOCKPASS.dgn
 10/11/2010

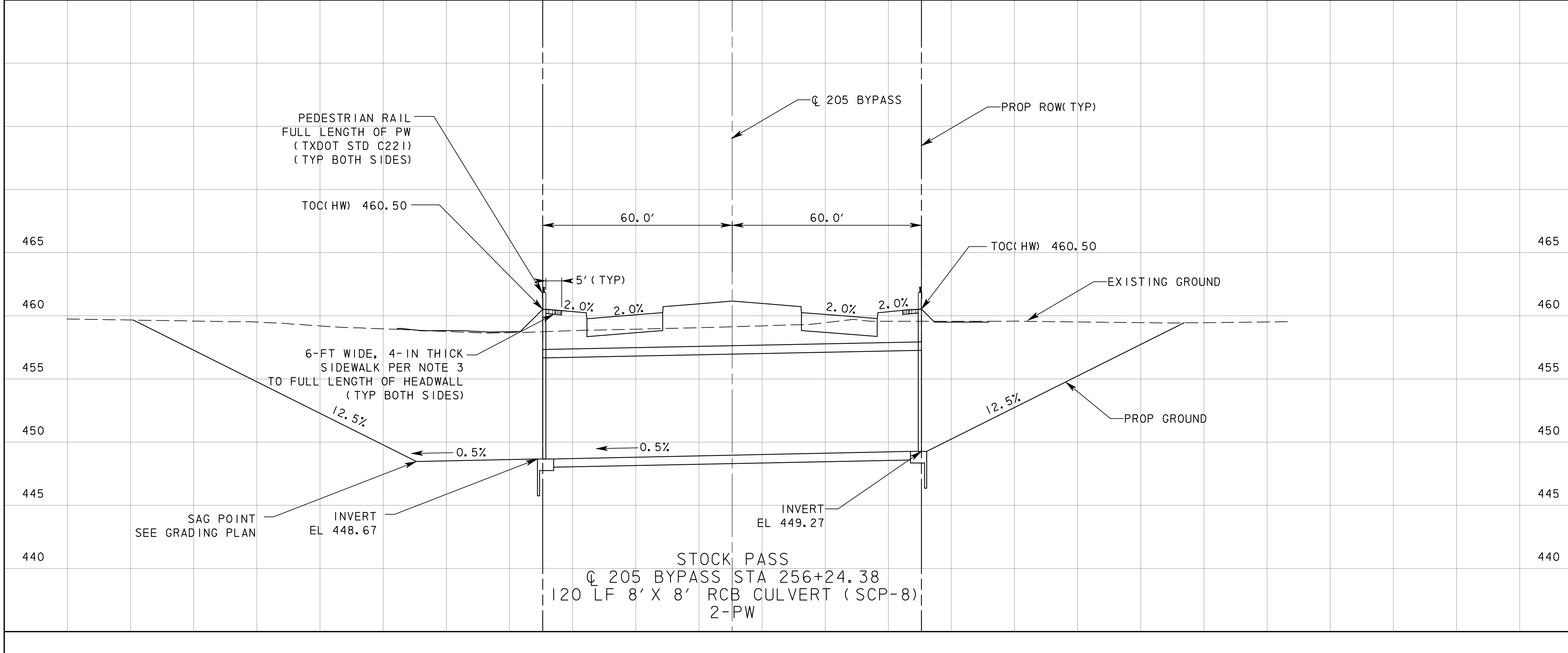


- NOTES:**
1. STOCK PASS IS NOT FOR USE AS A DRAINAGE STRUCTURE.
 2. REFERENCE STOCK PASS GRADING PLAN FOR GRADING AND SEEDING.
 3. SIDEWALK SHALL BE PER NCTCOG STANDARD DRAWING 2170 AS MODIFIED BY ROCKWALL STANDARDS AND THIS DRAWING. PROVIDE 1/2" THICK PREMOLDED ASPHALTIC TYPE EXPANSION JOINT FILLER WITH HOT POURED RUBBER JOINT SEALING COMPOUND AT TOP 1/2".

RECORD DRAWING

This drawing is a compilation of the original sealed engineering drawing and modifications by addenda, change orders and information furnished by the contractor. Information shown that was provided by the contractor and others not associated with the design engineer cannot be verified for accuracy or completeness. Original sealed drawing is on file at the office of AECOM USA Group, Inc., TBPE REG. NO. F-3082

ORIGINAL DRAWING SEALED & SIGNED BY
 T.H. Gaertner, P.E.
 TX NO. 37124



City of Rockwall, Texas		
205 BYPASS PHASE 6		
STOCK PASS PLAN & PROFILE AT STA 256+24.38		
1 OF 2		
TCB AECOM <small>TCB INC. WWW.TCB.AECOM.COM 17300 DALLAS PARKWAY, SUITE 1010 DALLAS, TEXAS 75248</small>		
Unit: PW-DAL-FW	Scale: Horiz: AS SHOWN Vert: AS SHOWN	Date: 10/11/2010
Designed: RI/US	Checked: TCB	Project No: 60004153
Drawn: FG	Approved: TCB	Sheet: 216D of 216