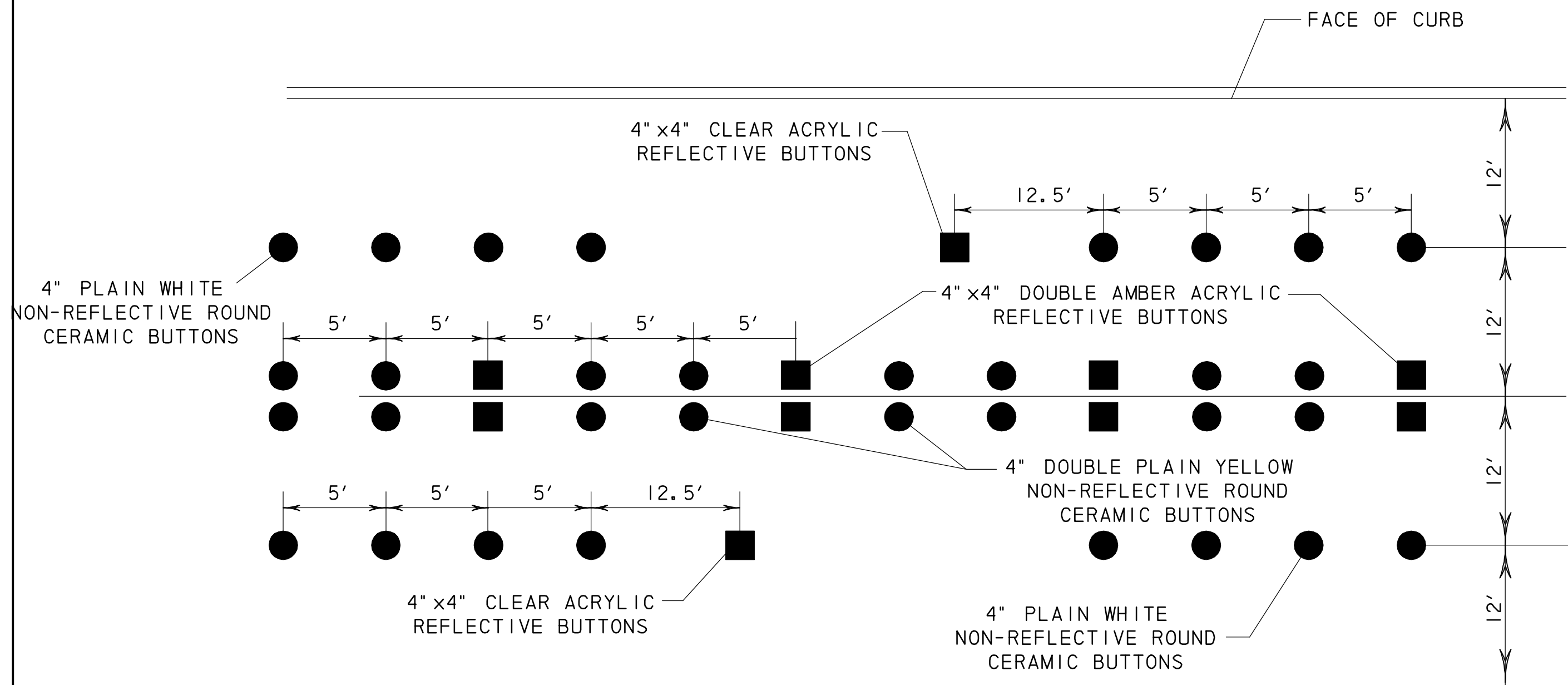
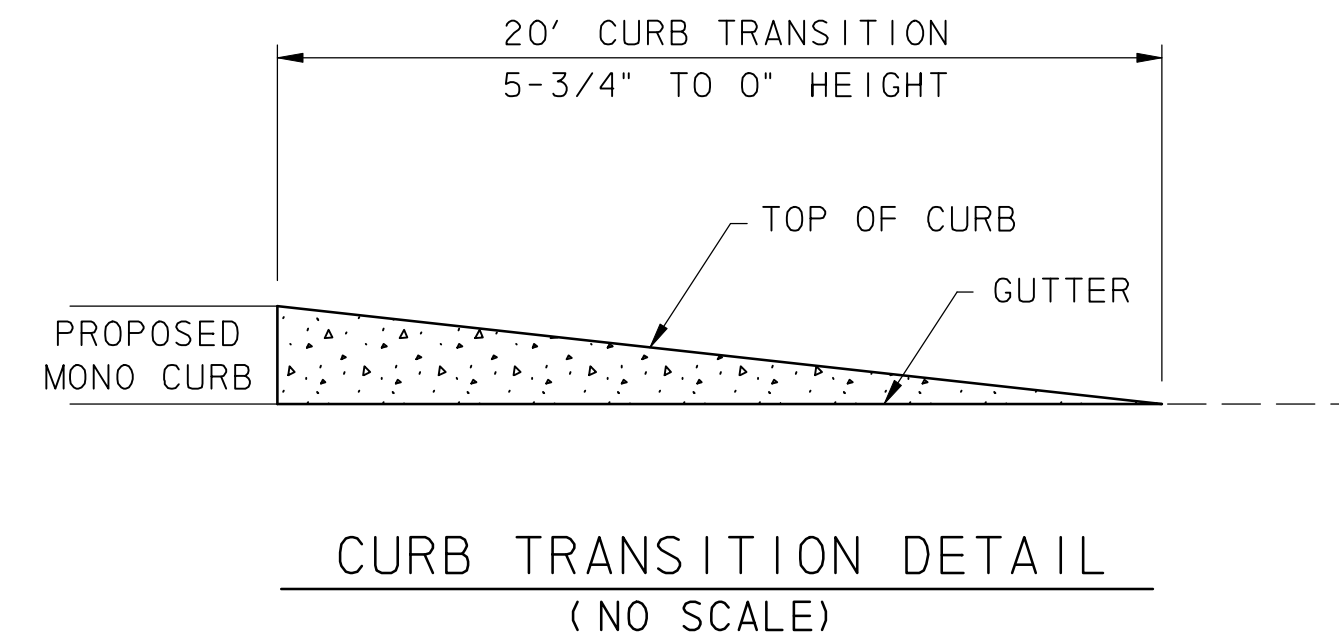


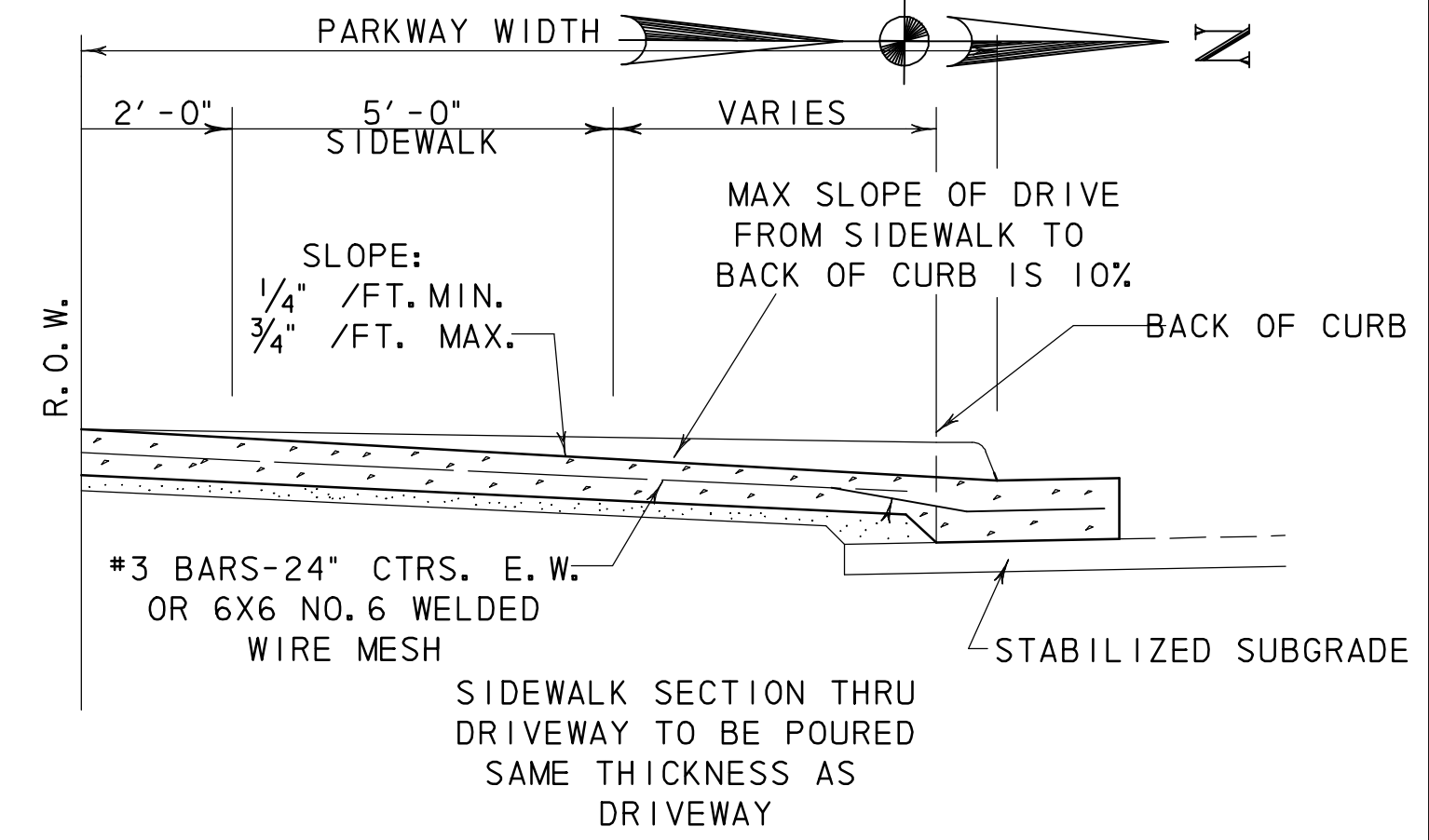
P:\4328\60004153-205bypass\cadd\sheet\phase 6 - final\record.dwg 10..7.09\162M\ISC-Roadway\Detail\1602.dgn  
 11/24/2009



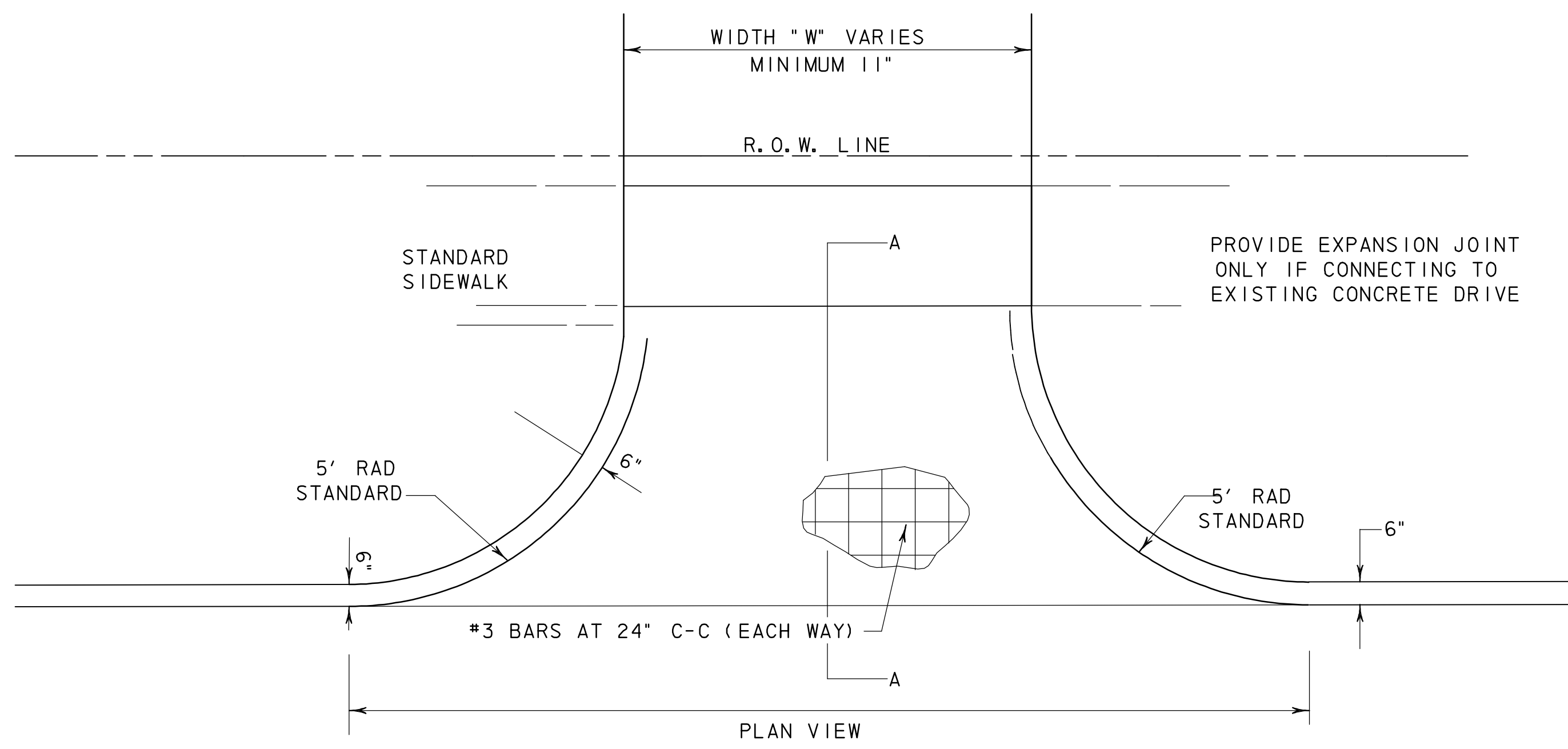
FACE OF CURB  
**STREET MARKING DETAIL**  
 N.T.S



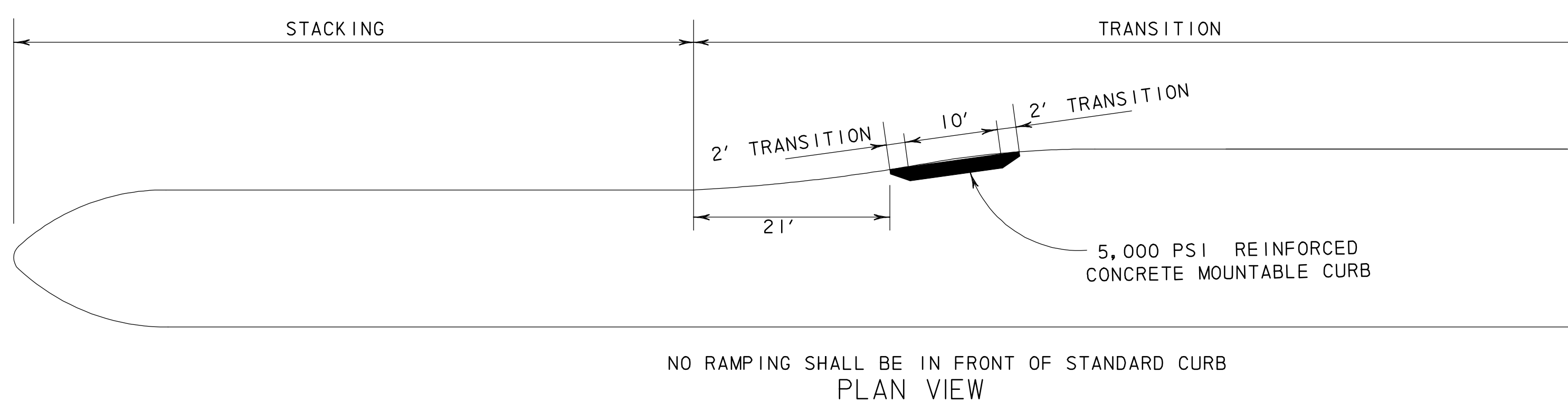
**CURB TRANSITION DETAIL**  
 (NO SCALE)



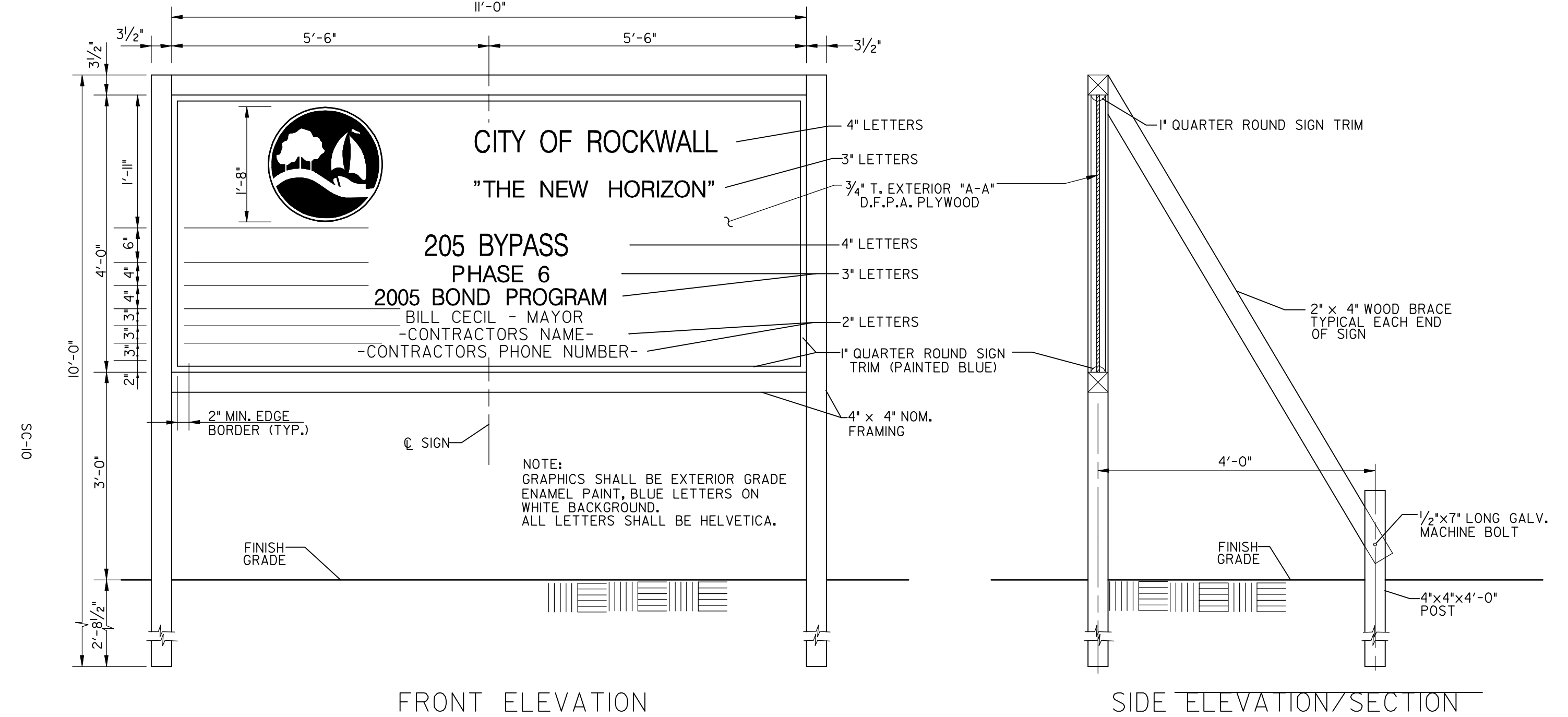
**SIDEWALK SECTION THRU DRIVEWAY TO BE POURED SAME THICKNESS AS DRIVEWAY**



**PLAN VIEW**



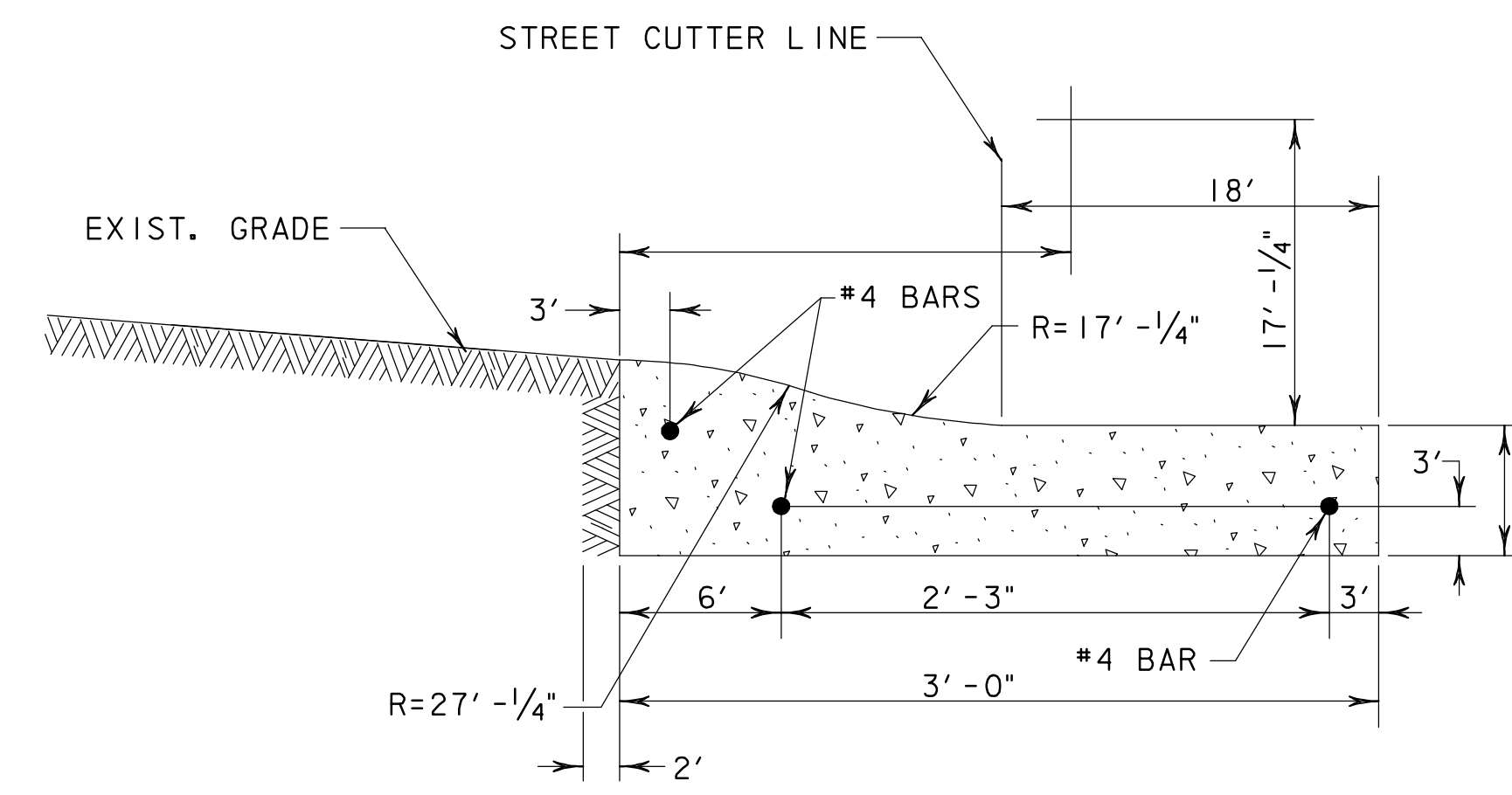
**LANDSCAPE MAINTENANCE RAMP**  
 N.T.S



**FRONT ELEVATION**

**SIDE ELEVATION/SECTION**

**PROJECT SIGN DETAILS**  
 N.T.S.



**MOUNTABLE CURB SECTION**  
 N.T.S

**RECORD DRAWING**

This drawing is a compilation of the original sealed engineering drawing and modifications by addenda, change orders and information furnished by the contractor. Information shown that was provided by the contractor and others not associated with the design engineer cannot be verified for accuracy or completeness. Original sealed drawing is on file at the office of AECOM USA Group, Inc., TBPE REG. NO. F-3082

ORIGINAL DRAWING SEALED & SIGNED BY  
 Matthew L. Abbe, P.E.  
 TX NO. 92715

NO.	REVISION	BY	DATE
<b>205 BYPASS PHASE 6</b>			
<b>MISCELLANEOUS ROADWAY DETAILS</b>			
2 OF 2			
<b>TCB AECOM</b>		<small>TCB INC. WWW.TCB.AECOM.COM            17300 DALLAS PARKWAY, SUITE 1010            DALLAS, TEXAS 75248</small>	
Unit	PW-DAL-FW	Scale	Horz: AS SHOWN Vert: AS SHOWN
Designed	SKW/MLA	Checked	TCB
Drawn	TCB	Approved	TCB
Date	11/24/2009	Project No.	60004153
Sheet	162	of	216