

NOTES:

1. ALL CONDUIT FOR ILLUMINATION ASSEMBLIES SHALL BE PLACED 3-FT FROM 205 BYPASS CENTERLINE.
2. CONDUIT INSTALLATION WILL BE PHASED IN FOLLOWING SUBGRADE OPERATIONS AND FOLLOWING UTILITY CONSTRUCTION, BUT PRIOR TO ROADWAY PAVEMENT CONSTRUCTION. IF CONSTRUCTION ACTIVITIES REQUIRE CONDUIT PLACEMENT AFTER STREET PAVEMENT CONSTRUCTION, THEN CONDUIT WILL NEED TO BE BORED FOR PLACEMENT. OPEN CUT METHOD OF CONDUIT PLACEMENT WILL NOT BE PERMITTED ON NEW PAVEMENT.
3. CONDUIT LENGTHS SHOWN REPRESENT ENTIRE RUN (GROUND BOX-TO-GROUND BOX).
4. IRRIGATION SLEEVES SHALL BE INSTALLED 2-FT AWAY FROM ELECTRIC GROUND BOXES SHOWN ON PLANS, AND NOT CONNECT TO BOXES.

NOTES:

1. ALL CONDUIT FOR ILLUMINATION ASSEMBLIES SHALL BE PLACED 3-FT FROM 205 BYPASS CENTERLINE.
2. CONDUIT INSTALLATION WILL BE PHASED IN FOLLOWING SUBGRADE OPERATIONS AND FOLLOWING UTILITY CONSTRUCTION, BUT PRIOR TO ROADWAY PAVEMENT CONSTRUCTION. IF CONSTRUCTION ACTIVITIES REQUIRE CONDUIT PLACEMENT AFTER STREET PAVEMENT CONSTRUCTION, THEN CONDUIT WILL NEED TO BE BORED FOR PLACEMENT. OPEN CUT METHOD OF CONDUIT PLACEMENT WILL NOT BE PERMITTED ON NEW PAVEMENT.
3. CONDUIT LENGTHS SHOWN REPRESENT ENTIRE RUN (GROUND BOX-TO-GROUND BOX).
4. IRRIGATION SLEEVES SHOULD BE INSTALLED 1-FT AWAY FROM BOXES SHOWN ON PLANS, AND NOT CONNECT TO BOXES.

LEGEND

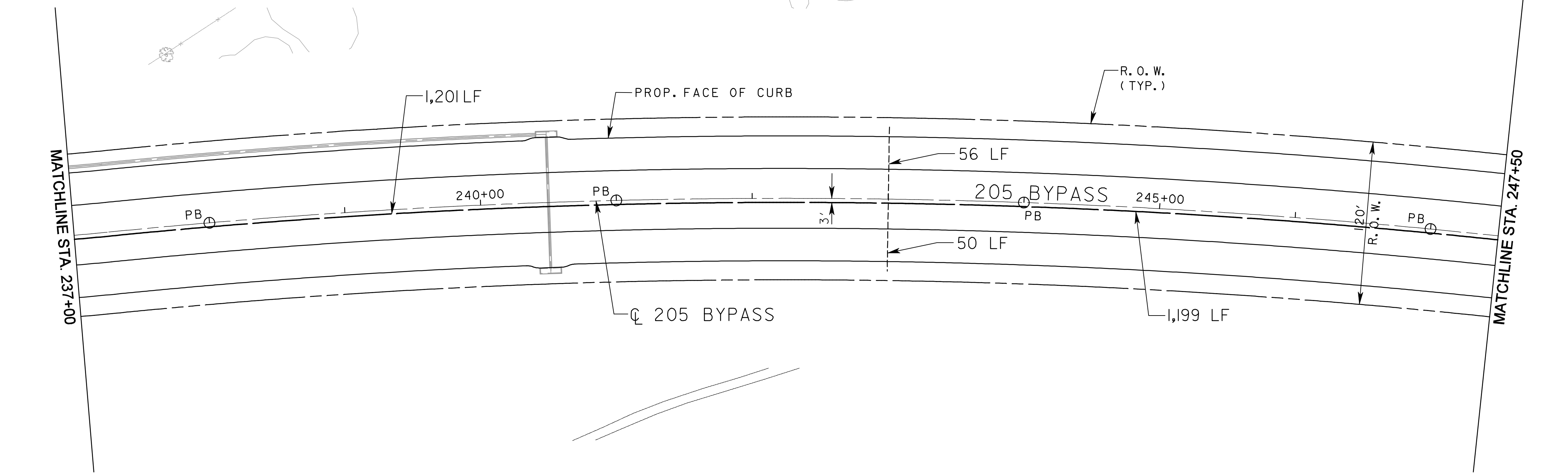
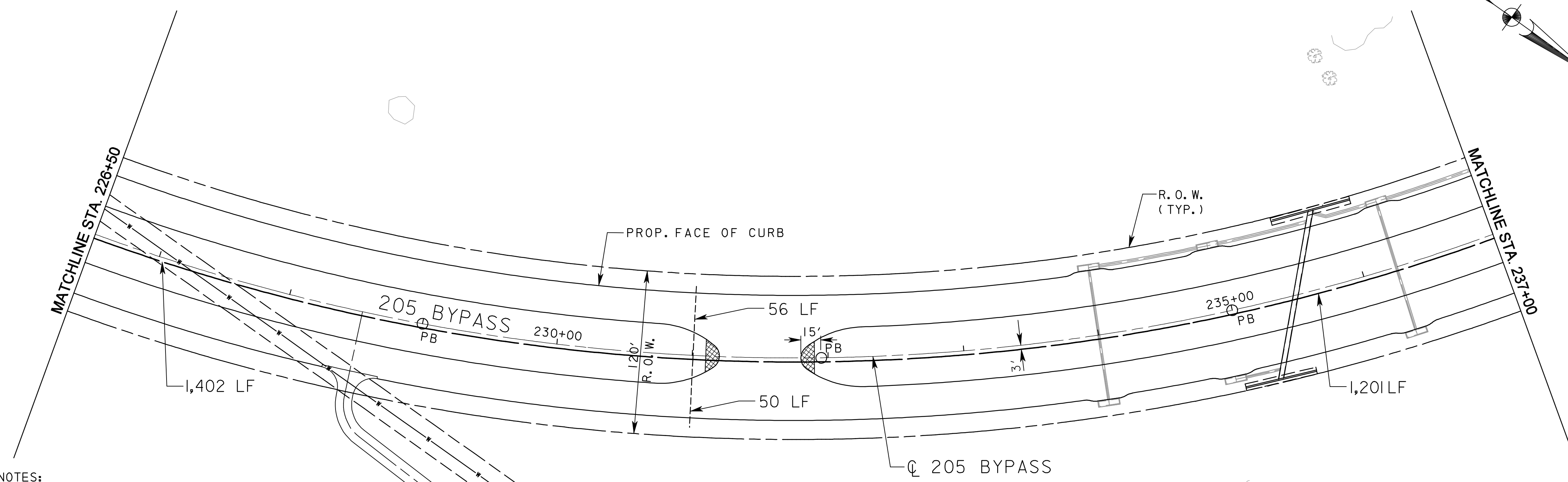
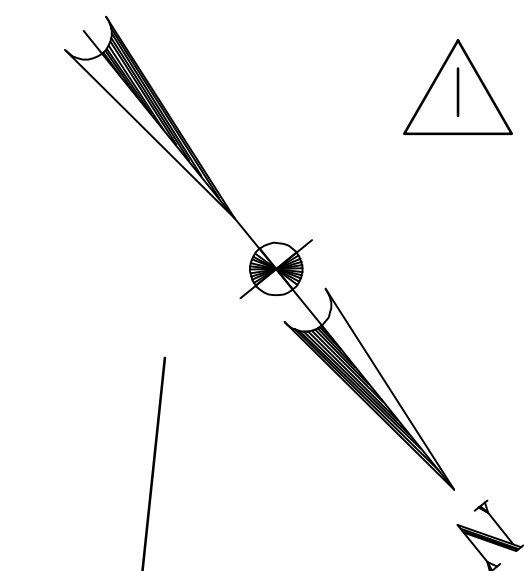
- EB PROPOSED ELEC. GROUND BOX
- PROPOSED 2" CONDUIT
- - - PROPOSED 4" IRRIGATION SLEEVE
- VB PROPOSED IRRIG. VALVE BOX
- PB PROPOSED ILLUMINATION POLE BASE FOUNDATION FOR 30' POLE.

RECORD DRAWING

This drawing is a compilation of the original sealed engineering drawing and modifications by addenda, change orders and information furnished by the contractor. Information shown that was provided by the contractor and others not associated with the design engineer cannot be verified for accuracy or completeness. Original sealed drawing is on file at the office of AECOM USA Group, Inc., TBPE REG. NO. F-3082

ORIGINAL DRAWING SEALED & SIGNED BY

T.H. Gaertner, P.E.
TX NO. 37124



ADDED ILLUMINATION POLE BASE		THG	5/08
NO.	REVISION	BY	DATE
City of Rockwall, Texas			
205 BYPASS PHASE 6			
ILLUMINATION & IRRIGATION PLAN			
2 OF 5			
TCB AECOM		<small>TCB INC. WWW.TCB.AECOM.COM 17300 DALLAS PARKWAY, SUITE 1010 DALLAS, TEXAS 75248</small>	
Unit	PW-DAL-FW	Scales	Horz: AS SHOWN Vert: AS SHOWN
Designed	SDB	Checked	TCB
Drawn	TCB	Approved	TCB
Date	11/24/2009		Project No. 60004153
Sheet 116A		of 216	

P:\328\60004153-205bypass\cadd\sheet\phase 6 - fm52 to 205\record drawing 10_7_09\116 illumination\ig-02.dgn
 11/24/2009