



SCALE IN FEET  
HORIZONTAL



SCALE IN FEET  
VERTICAL

NOTES:

1. FLOWLINE ELEVATIONS AND GRADES ARE CALCULATED FROM CENTER TO CENTER OF PROPOSED DRAINAGE STRUCTURES. PIPE LENGTHS ON PLANS ARE ACTUAL LENGTHS USED IN QUANTITY TAKEOFFS.
2. ALL UTILITIES SHOWN ARE APPROXIMATE AND SHOULD BE FIELD VERIFIED AS TO THE LOCATION AND DEPTH PRIOR TO COSTRUCTION.
3. ALL STORM DRAIN PIPE IS CLASS III UNLESS OTHERWISE NOTED.
4. THE CONTROL POINT FOR RECESSED CURB INLETS IS AT THE CENTER OF THE OUTSIDE FACE OF THE INLET.
5. FOR RECESSED CURB INLETS, VARIABLE DIMENSION "W," AS SHOWN ON THE NCTCOG STANDARDS, SHALL BE 3.5-FT.
6. CONTRACTOR TO INSTALL CEMENT TREATED BACKFILL TO THE SPRINGLINE OF THE DRAINAGE PIPE FOR SLOPES GREATER THAN 10%.

RECORD DRAWING

This drawing is a compilation of the original sealed engineering drawing and modifications by addenda, change orders and information furnished by the contractor. Information shown that was provided by the contractor and others not associated with the design engineer cannot be verified for accuracy or completeness. Original sealed drawing is on file at the office of AECOM USA Group, Inc., TBPE REG. NO. F-3082

ORIGINAL DRAWING  
SEALED & SIGNED BY

T.H. Gaertner, P.E.  
TX NO. 37124

NO.	REVISION	BY	DATE
1	INLET N1		05/29/08



City of Rockwall, Texas

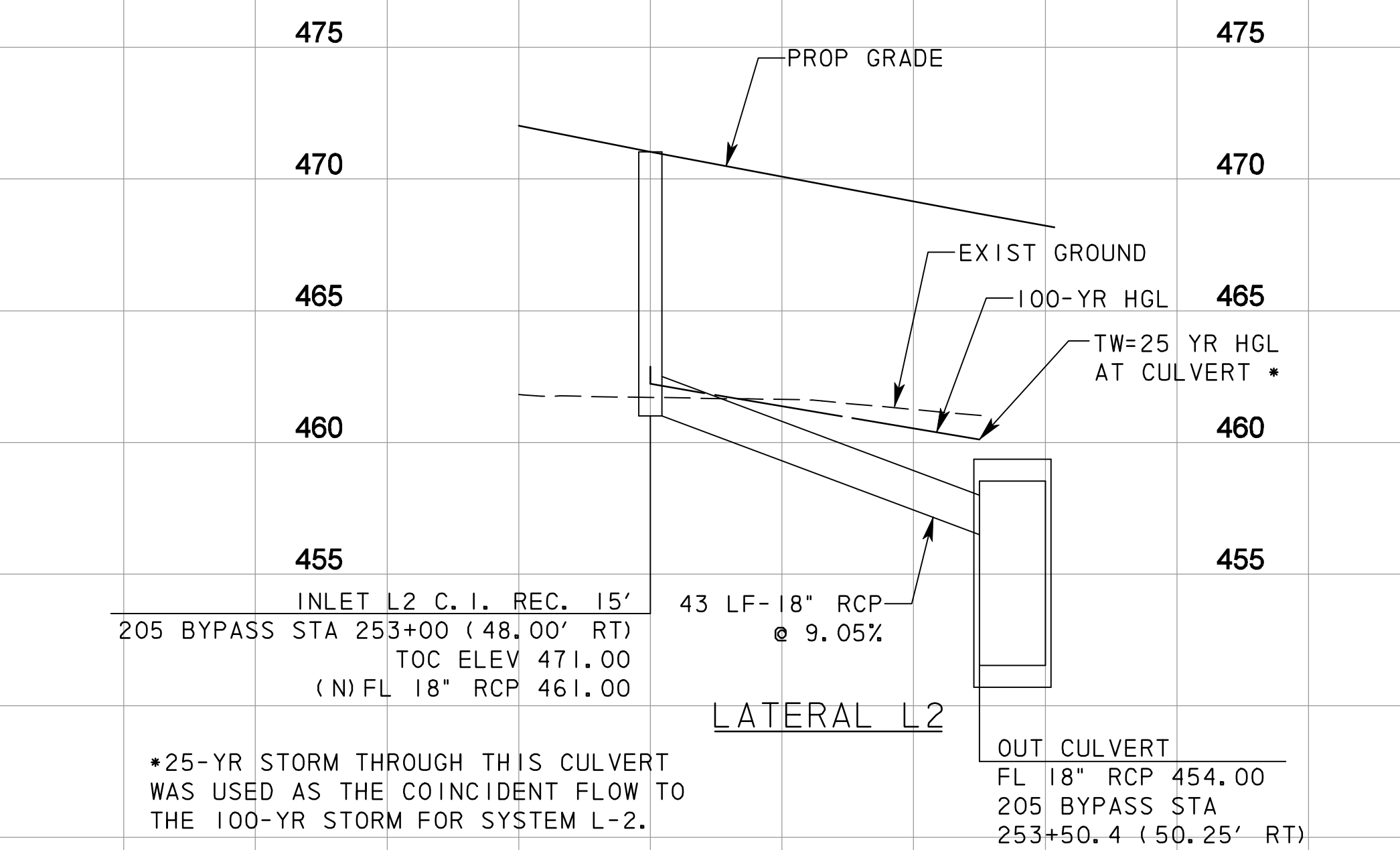
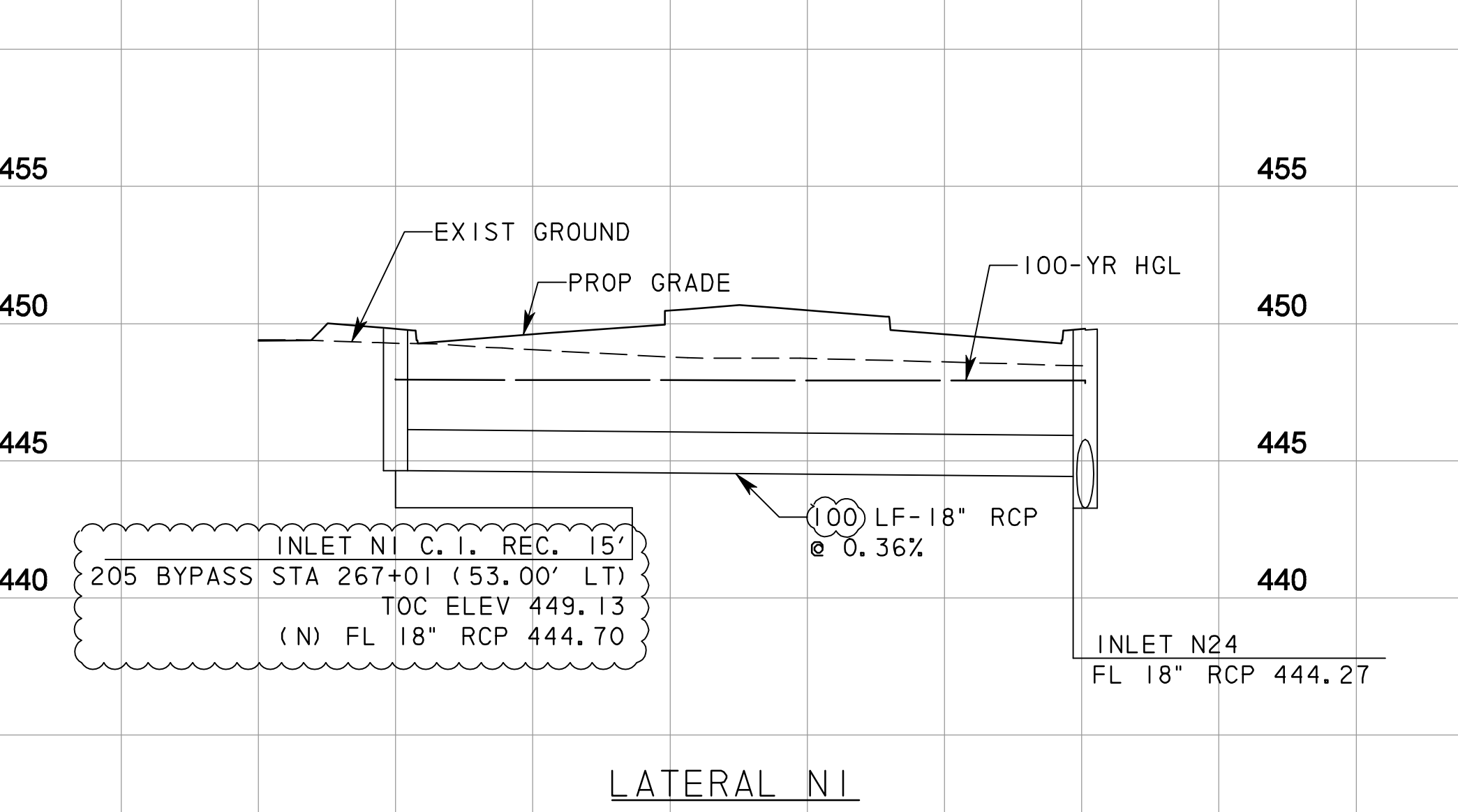
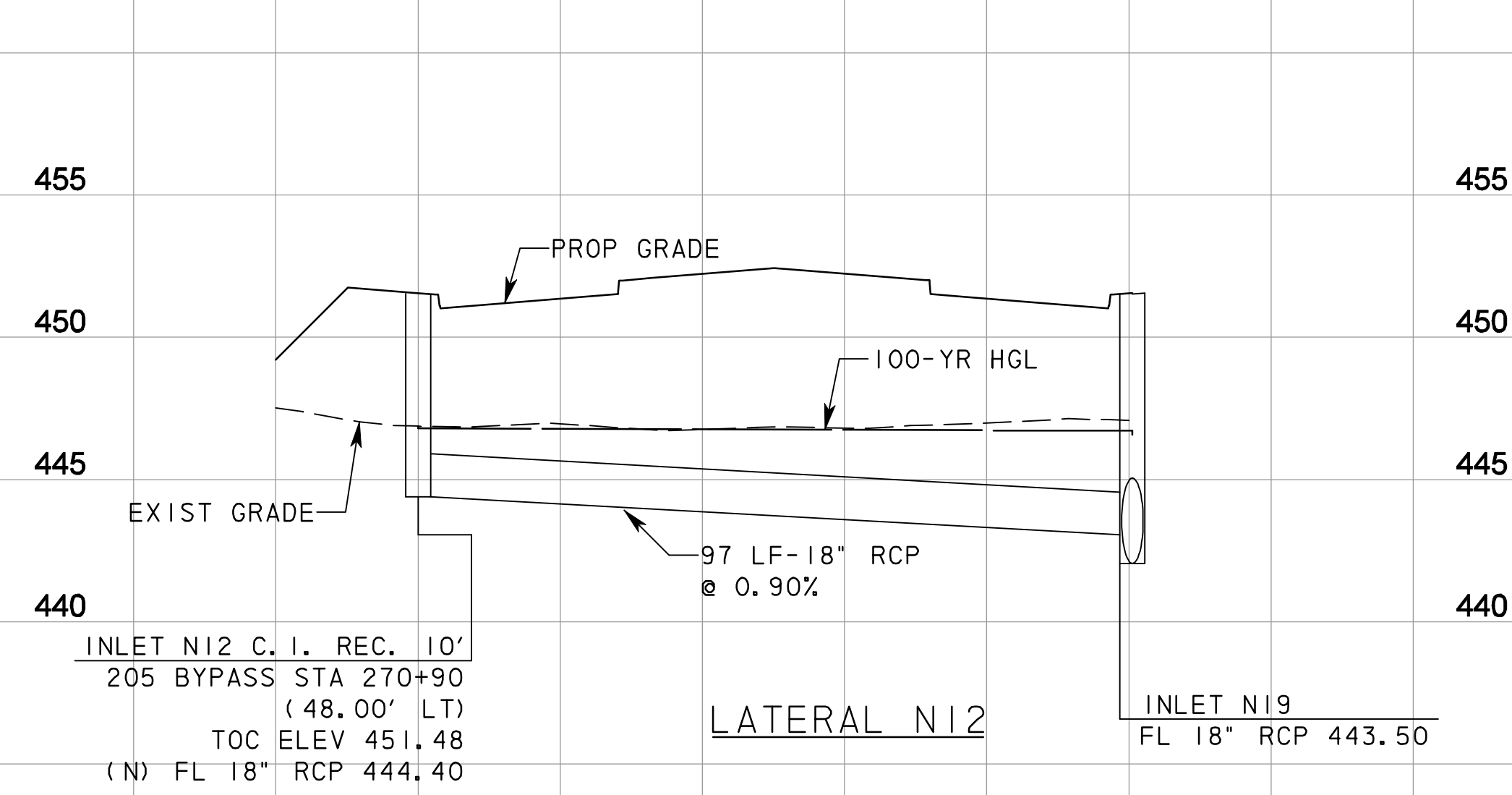
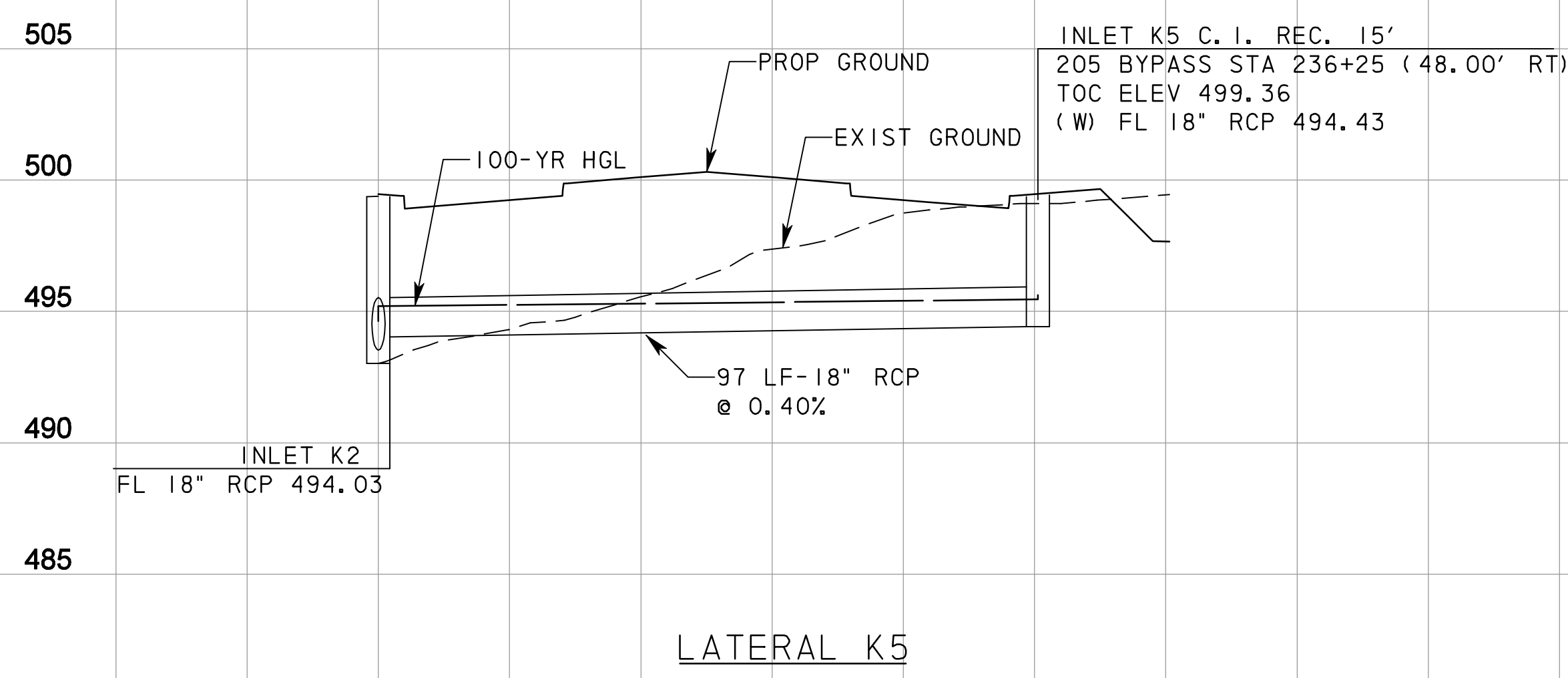
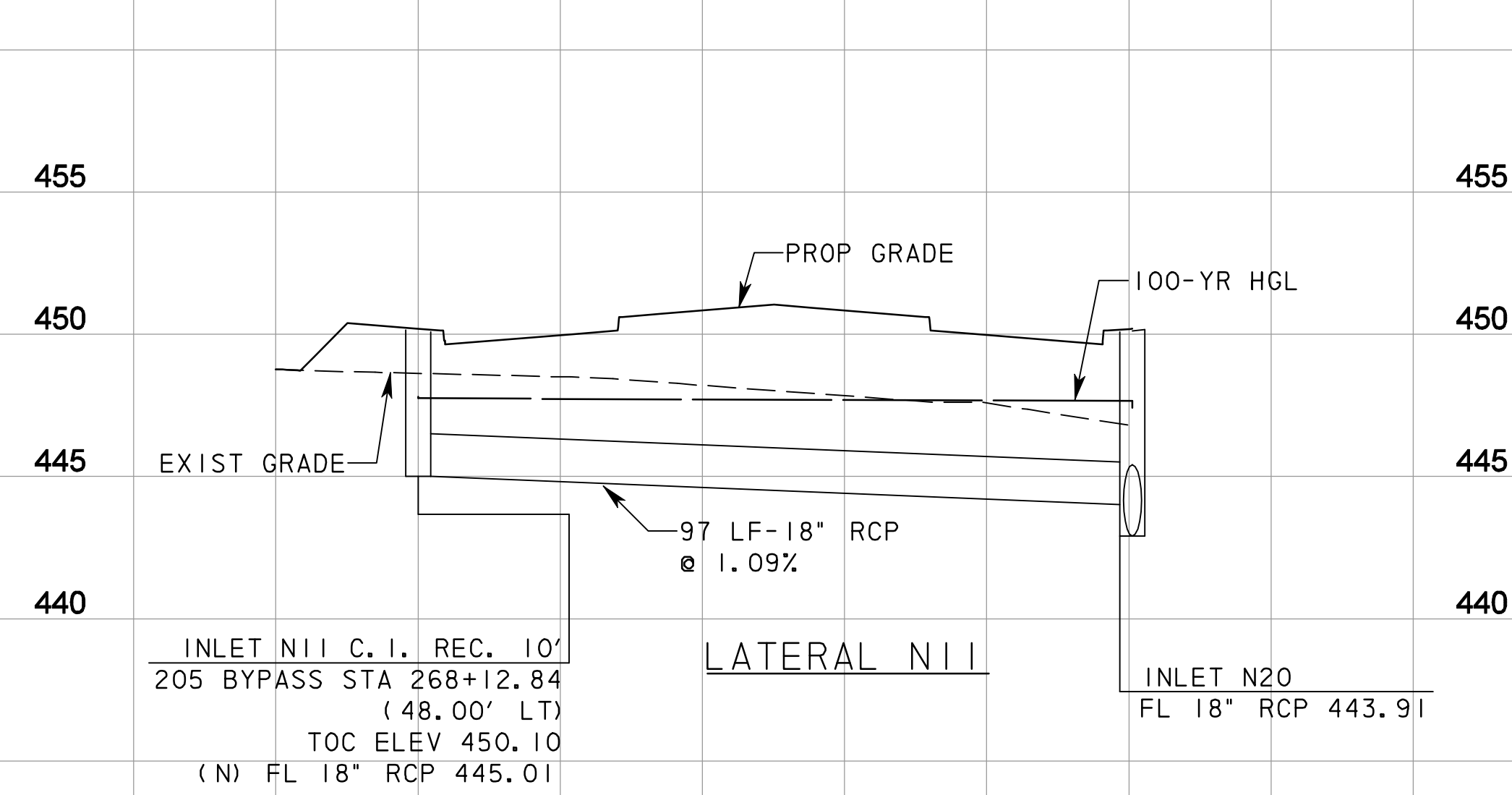
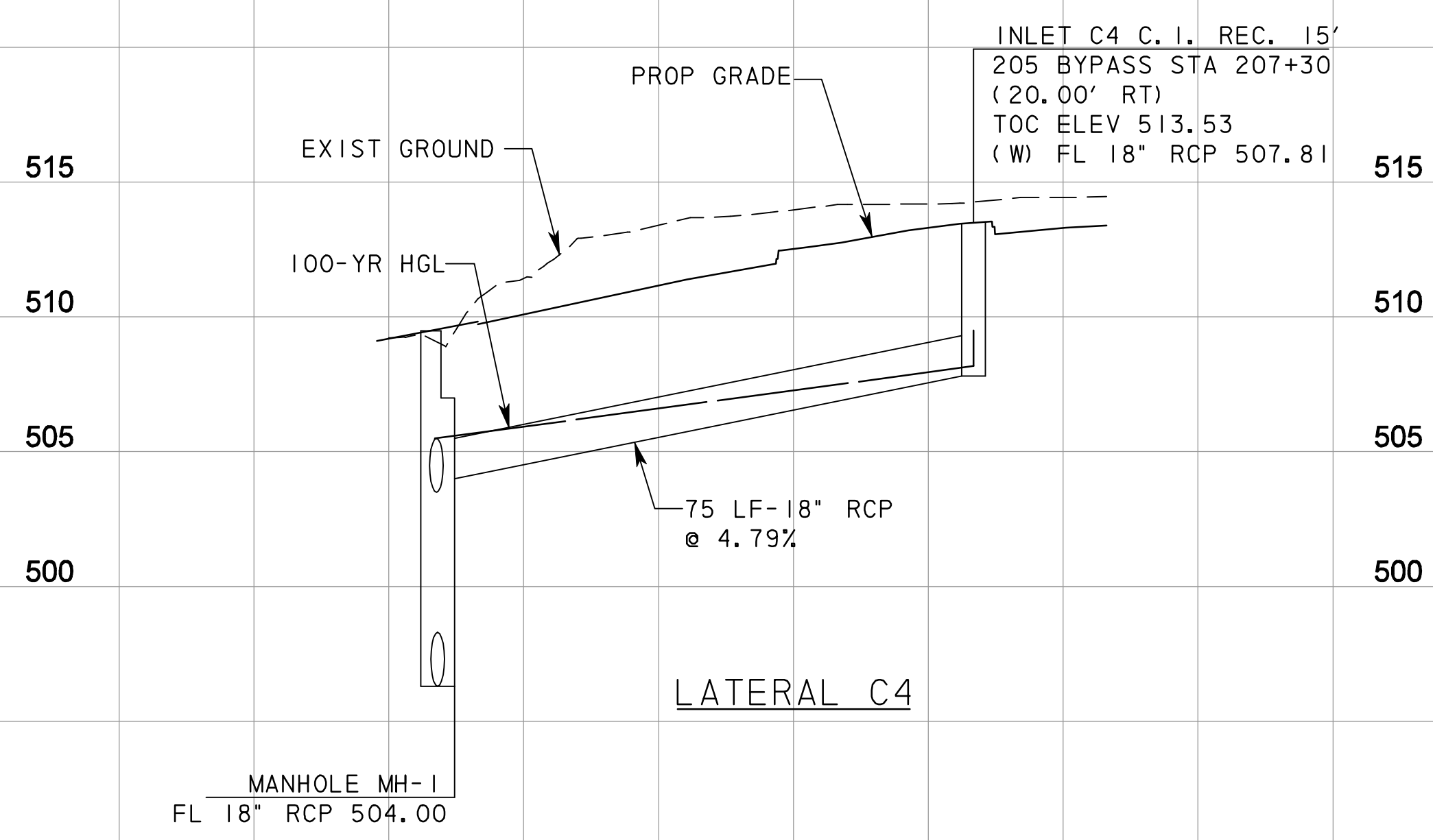
205 BYPASS  
PHASE 6

LATERAL PROFILES  
LINE C, K, N & L

1 OF 2

TCB AECOM  
TCB INC.  
WWW.TCB.AECOM.COM  
17300 DALLAS PARKWAY, SUITE 1010  
DALLAS, TEXAS 75248

Unit	PW-DAL-FW	Scale	Horz: AS SHOWN Vert: AS SHOWN	Date	11/24/2009
Designed	SB	Checked	TCB	Project No.	60004153
Drawn	FG	Approved	TCB	Sheet	104A of 216



P:\328\60004153-205bypass\cadd\sheet\phase 6 - fm52 to 205\record drawing 10\_7\_09\104A-105BStorm\lateral-1-01.dgn  
11/24/2009