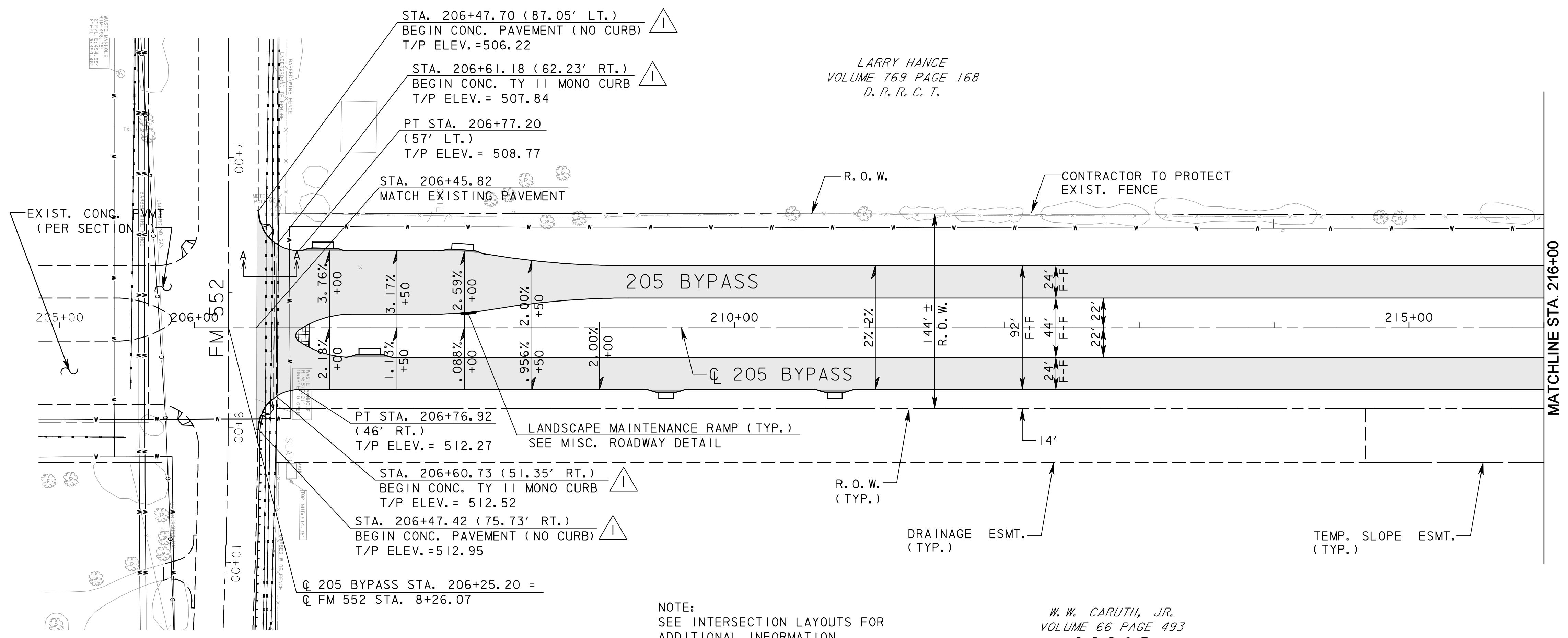
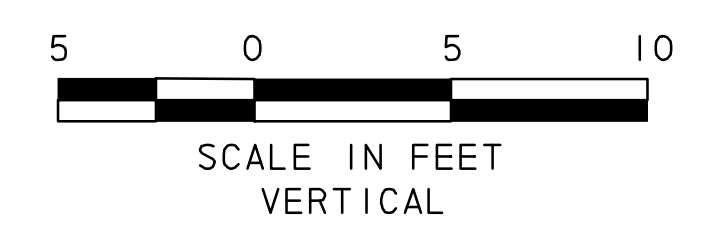
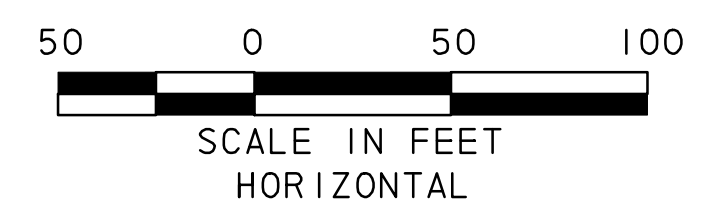
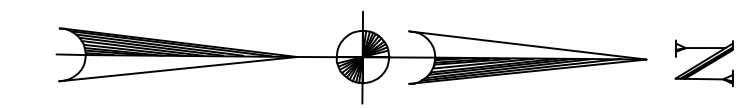


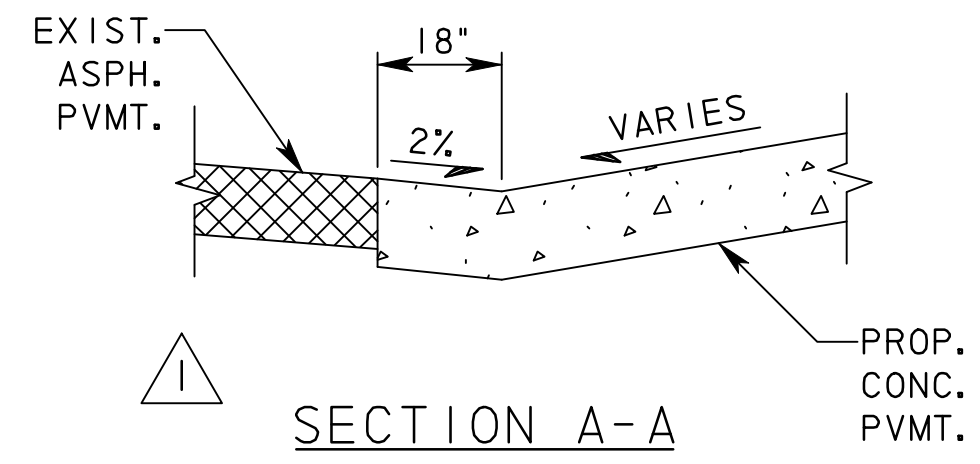
LARRY HANCE
VOLUME 769 PAGE 168
D. R. R. C. T.



NOTE:
SEE INTERSECTION LAYOUTS FOR
ADDITIONAL INFORMATION.

W. W. CARUTH, JR.
VOLUME 66 PAGE 493
D. R. R. C. T.

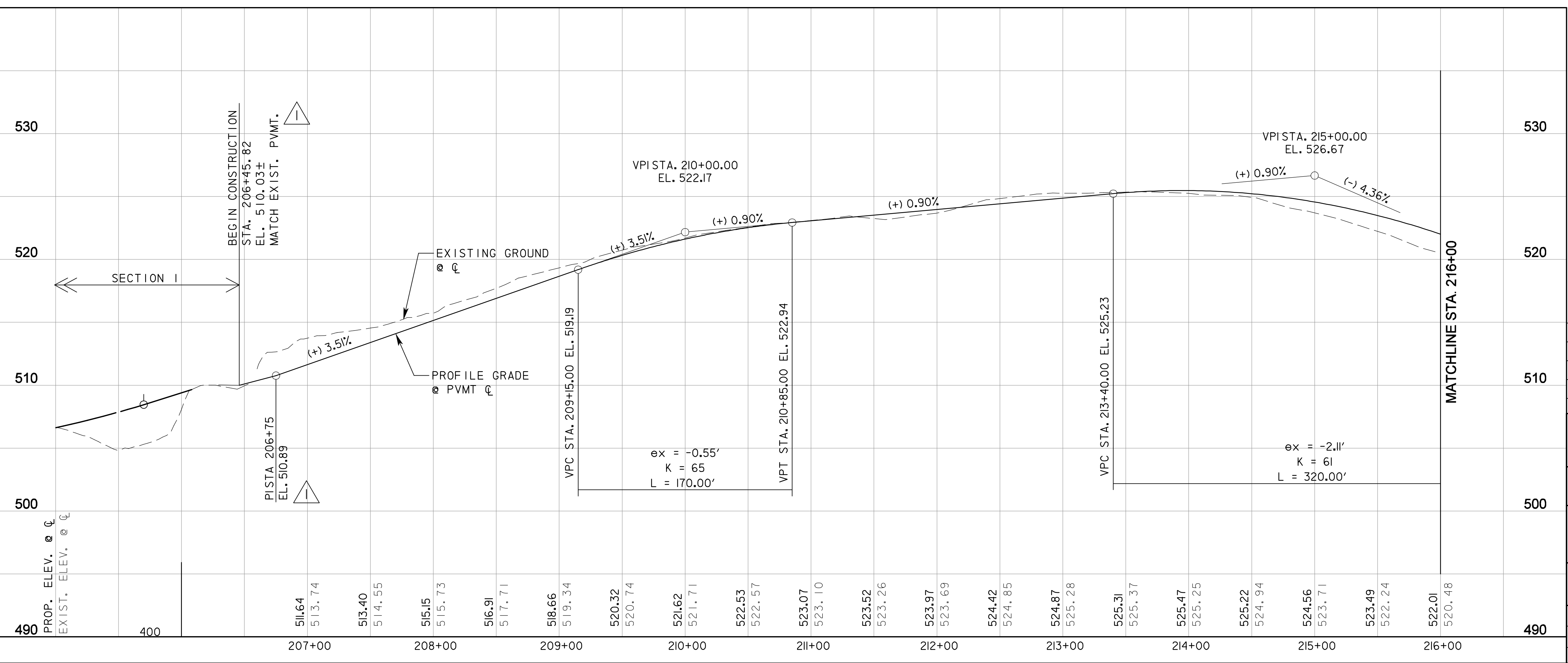
- LEGEND
- CONCRETE PAVEMENT
 - HMAC PAVEMENT
 - RECESSED CURB INLET
 - DROP INLET TYPE H



RECORD DRAWING

This drawing is a compilation of the original sealed engineering drawing and modifications by addenda, change orders and information furnished by the contractor. Information shown that was provided by the contractor and others not associated with the design engineer cannot be verified for accuracy or completeness. Original sealed drawing is on file at the office of AECOM USA Group, Inc., TBPE REG. NO. F-3082

ORIGINAL DRAWING
SEALED & SIGNED BY
T.H. Gaertner, P.E.
TX NO. 37124



I		REVISED PAVING PLAN AT FM 552		THG	10/29/08
NO.	REVISION			BY	DATE
205 BYPASS PHASE 6					
PLAN & PROFILE STA. 206+58.93 TO STA. 216+00					
1 OF 11					
TCB		AECOM			
Unit		Scale		Date	
PW-DAL-FW		Horz: AS SHOWN Vert: AS SHOWN		11/24/2009	
Designed SDB		Checked TCB		Project No. 60004153	
Drawn TCB		Approved TCB		Sheet 38 of 216	

P:\328\60004153-205bypass\cadd\sheet6\phase 6 - fm52 to 205\record drawing 10_7_09\038PP-205BP-01.dgn
 11/24/2009