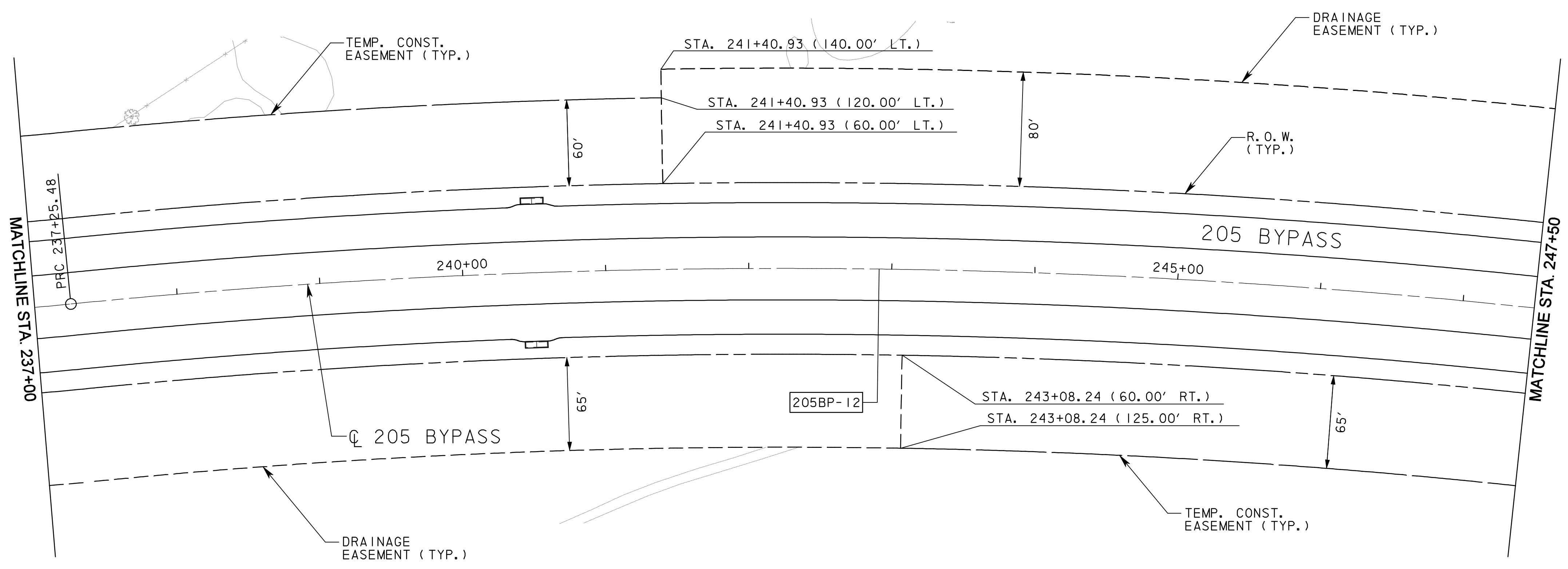


LEGEND
 205BP-11 CURVE NUMBER



RECORD DRAWING
 This drawing is a compilation of the original sealed engineering drawing and modifications by addenda, change orders and information furnished by the contractor. Information shown that was provided by the contractor and others not associated with the design engineer cannot be verified for accuracy or completeness. Original sealed drawing is on file at the office of AECOM USA Group, Inc., TBPE REG. NO. F-3082

ORIGINAL DRAWING SEALED & SIGNED BY
 Matthew L. Abbe, P.E.
 TX NO. 92715

NO.	REVISION	BY	DATE
City of Rockwall, Texas			
205 BYPASS PHASE 6			
HORIZONTAL CONTROL LAYOUT			
2 OF 5			
TCB AECOM		TCB INC. WWW.TCB.AECOM.COM 17300 DALLAS PARKWAY, SUITE 1010 DALLAS, TEXAS 75248	
Unit	PW-DAL-FW	Scale	Horz: AS SHOWN Vert: AS SHOWN
Designed	SKW/MLA	Checked	TCB
Drawn	TCB	Approved	TCB
Date	11/24/2009	Project No.	60004153
Sheet	34	of	216

P:\4328\60004153-205bypass\cadd\sheet\phase 6 - fms52 to 205\record drawing 10..7..09.034for tzl\out-02.dgn
 11/24/2009