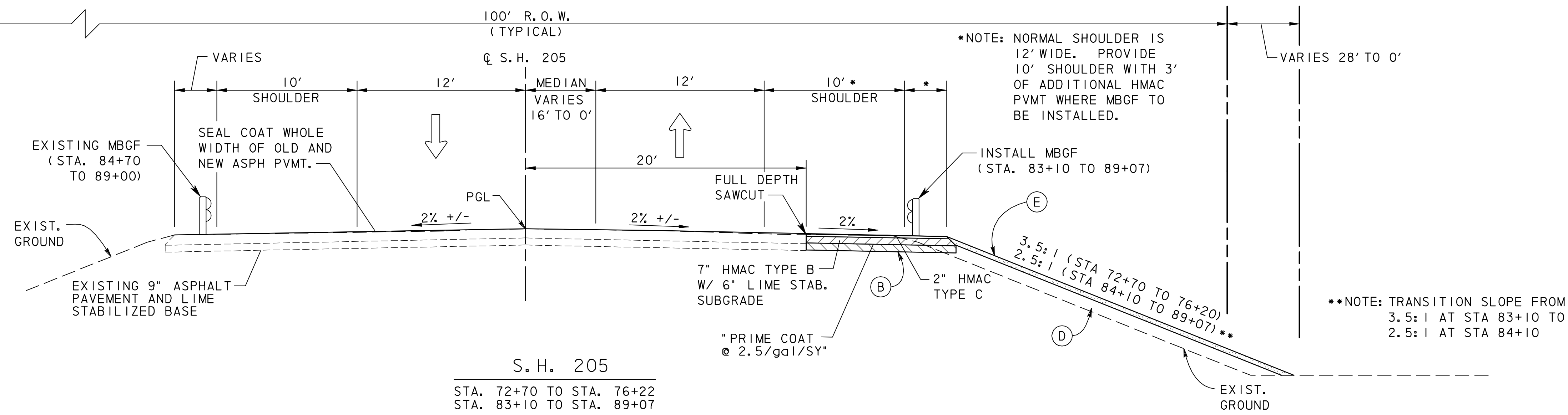


EXIST. R. O. W.

STA. 82+25 TO STA. 84+70

EXIST. R. O. W. PROPOSED R. O. W.



S. H. 205
STA. 72+70 TO STA. 76+22
STA. 83+10 TO STA. 89+07

- LEGEND**
- (B) 6" LIME TREATED SUBGRADE
 - (D) EMBANKMENT (TYPE B, DENSITY CONTROL)
 - (E) 4" COMPOST MANUFACTURED TOPSOIL AND CELLULOSE FIBER MULCH SEEDING
 - (F) TYPE II CURB AND GUTTER

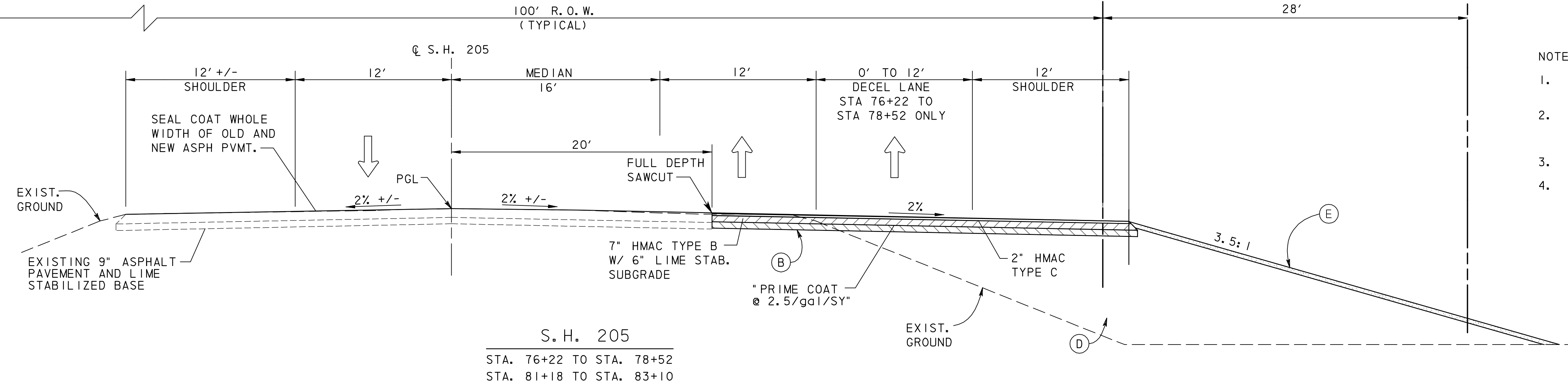
- NOTES:**
1. 2% CROSS-SLOPE IS USUAL, UNLESS OTHERWISE SHOWN ON PLANS.
 2. AT HEADWALLS, CONTRACTOR TO INSTALL RAIL AND 5' SIDEWALK. SEE HEADWALL LAYOUT SHEETS FOR SIDEWALK DETAILS.
 3. BLOCK SOD SLOPES STEEPER THAN 3:1.
 4. MBGF SHALL BE INSTALLED ON WOOD POST.

EXIST. R. O. W.

100' R. O. W. (TYPICAL)

EXIST. R. O. W.

PROPOSED R. O. W.



S. H. 205
STA. 76+22 TO STA. 78+52
STA. 81+18 TO STA. 83+10

RECORD DRAWING

This drawing is a compilation of the original sealed engineering drawing and modifications by addenda, change orders and information furnished by the contractor. Information shown that was provided by the contractor and others not associated with the design engineer cannot be verified for accuracy or completeness. Original sealed drawing is on file at the office of AECOM USA Group, Inc., TBPE REG. NO. F-3082

ORIGINAL DRAWING SEALED & SIGNED BY
T.H. Gaertner, P.E.
TX NO. 37124

2	MISC. REVISIONS	THG	7/02/08
1	MISC. REVISIONS	THG	10/23/07
NO.	REVISION	BY	DATE

City of Rockwall, Texas

205 BYPASS
PHASE 2

TYPICAL SECTIONS
S. H. 205

3 OF 3

TCB AECOM
TCB INC.
WWW.TCB.AECOM.COM
17300 DALLAS PARKWAY, SUITE 1010
DALLAS, TEXAS 75248

Unit	PW-DAL-FW	Scale	Horz: AS SHOWN Vert: AS SHOWN	Date	11/24/2009
Designed	THG	Checked	TCB	Project No.	60004153
Drawn	FG	Approved	TCB	Sheet	7A of 216