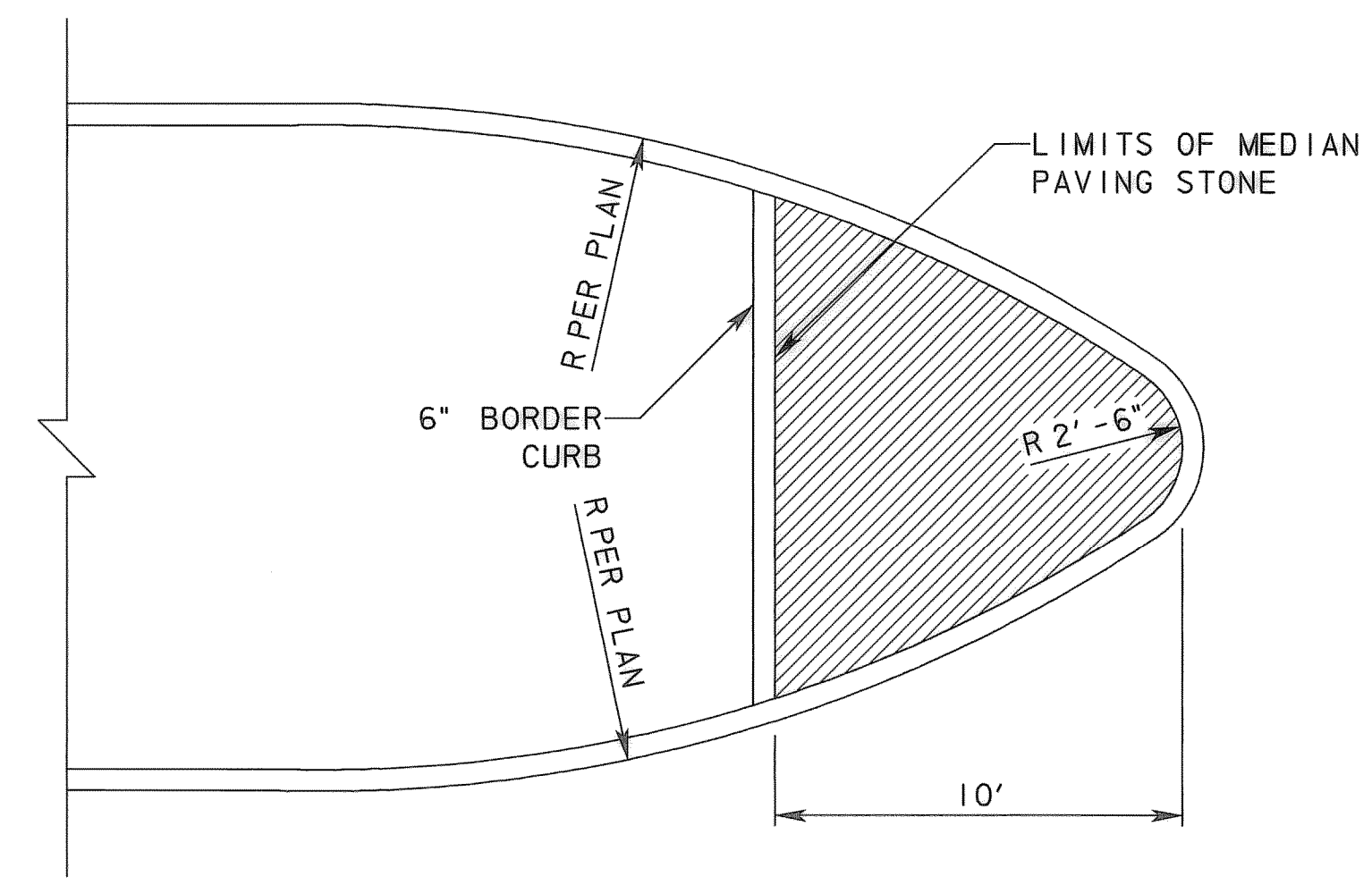
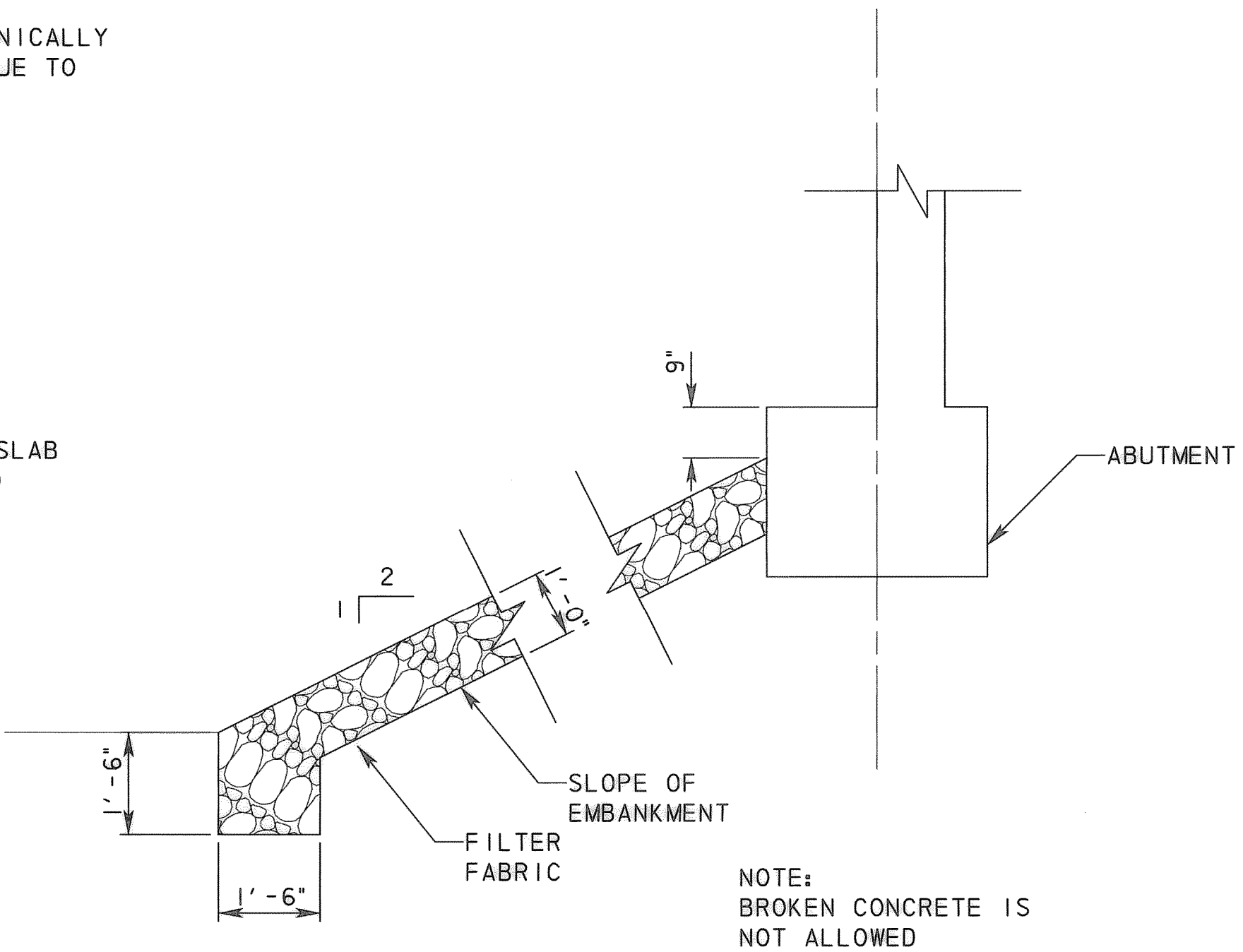


TYPICAL CROSS SECTION

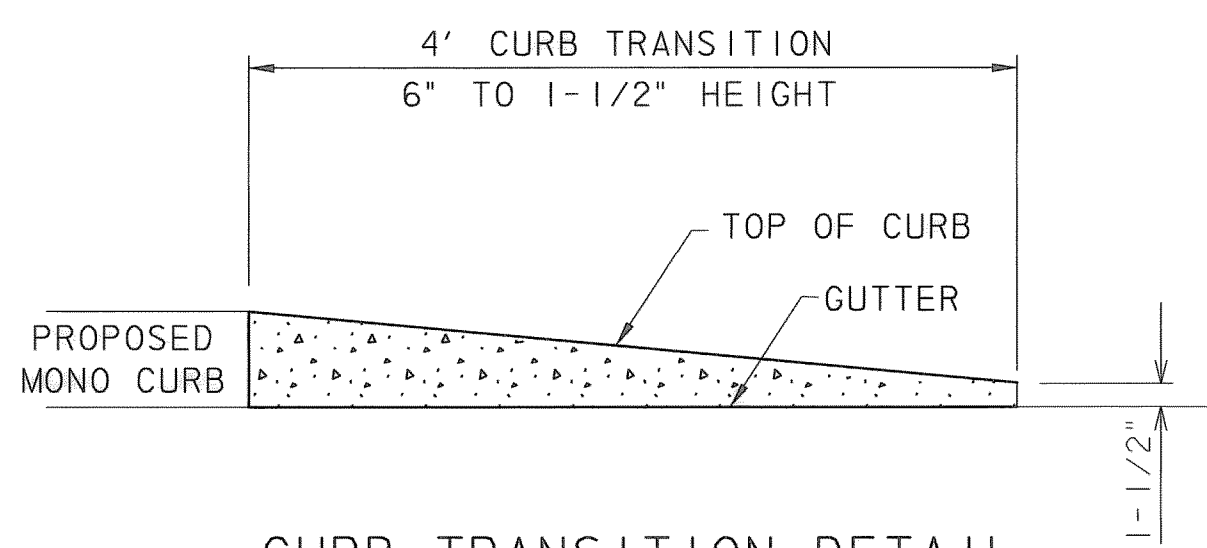
**MEDIAN PAVING STONE DETAIL**  
PAVING STONE SHALL BE INTERLOCKING CONCRETE  
LANDSCAPE PAVERS PER TxDOT SPECIFICATIONS  
ITEM 528. COLOR AND PATTERN TO BE SELECTED BY  
OWNER.



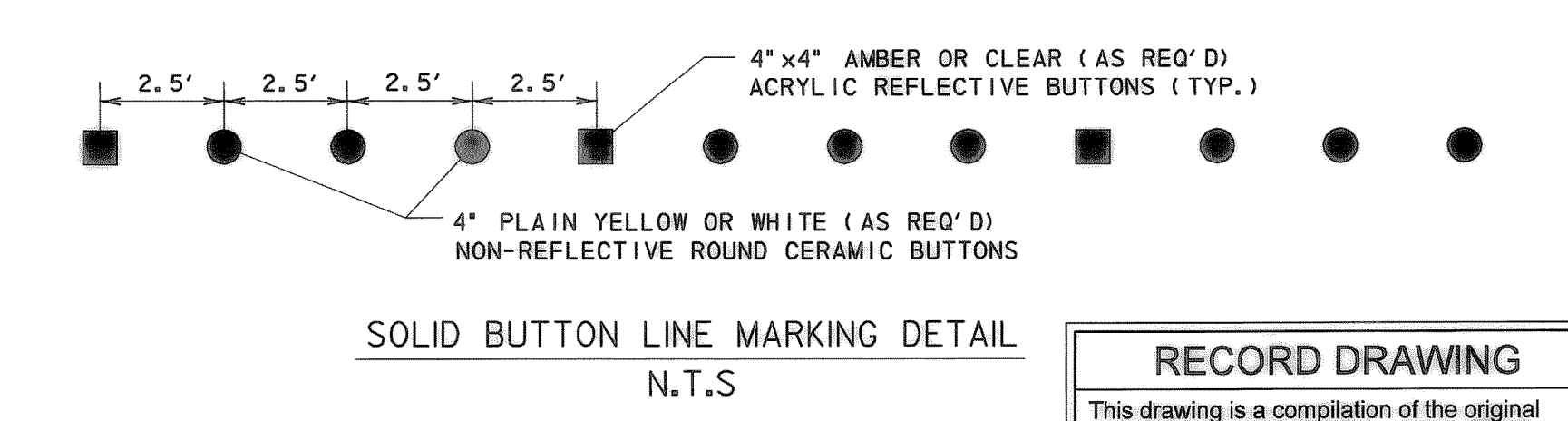
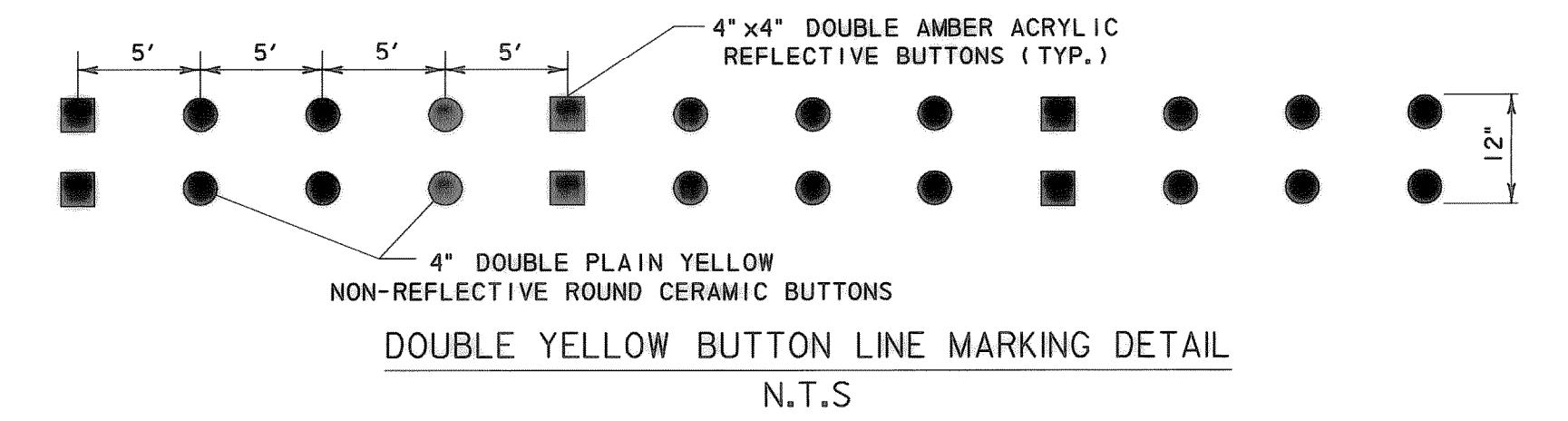
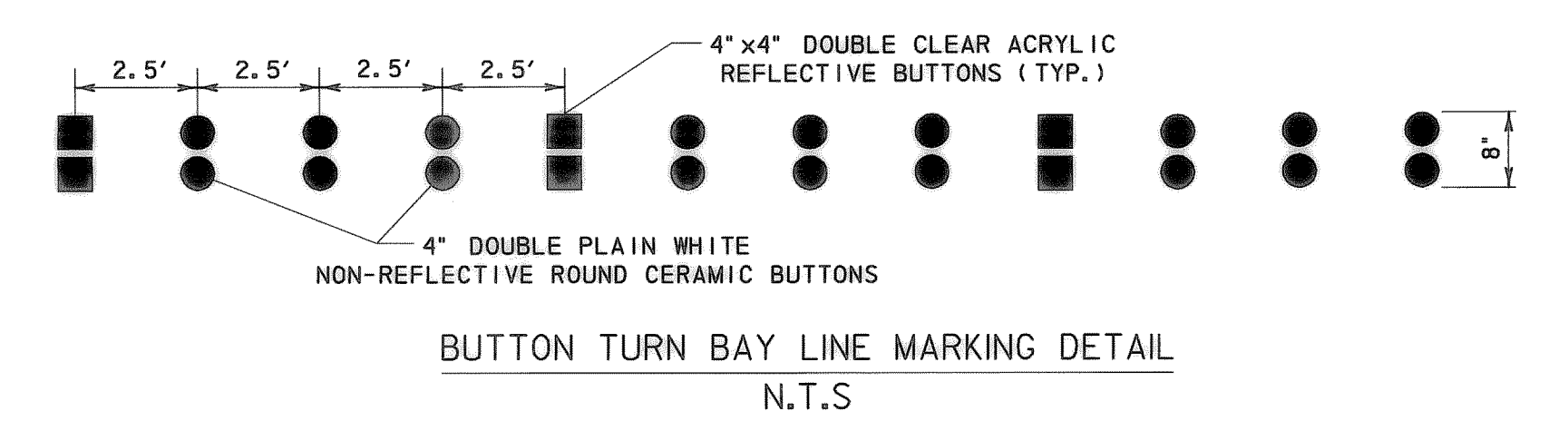
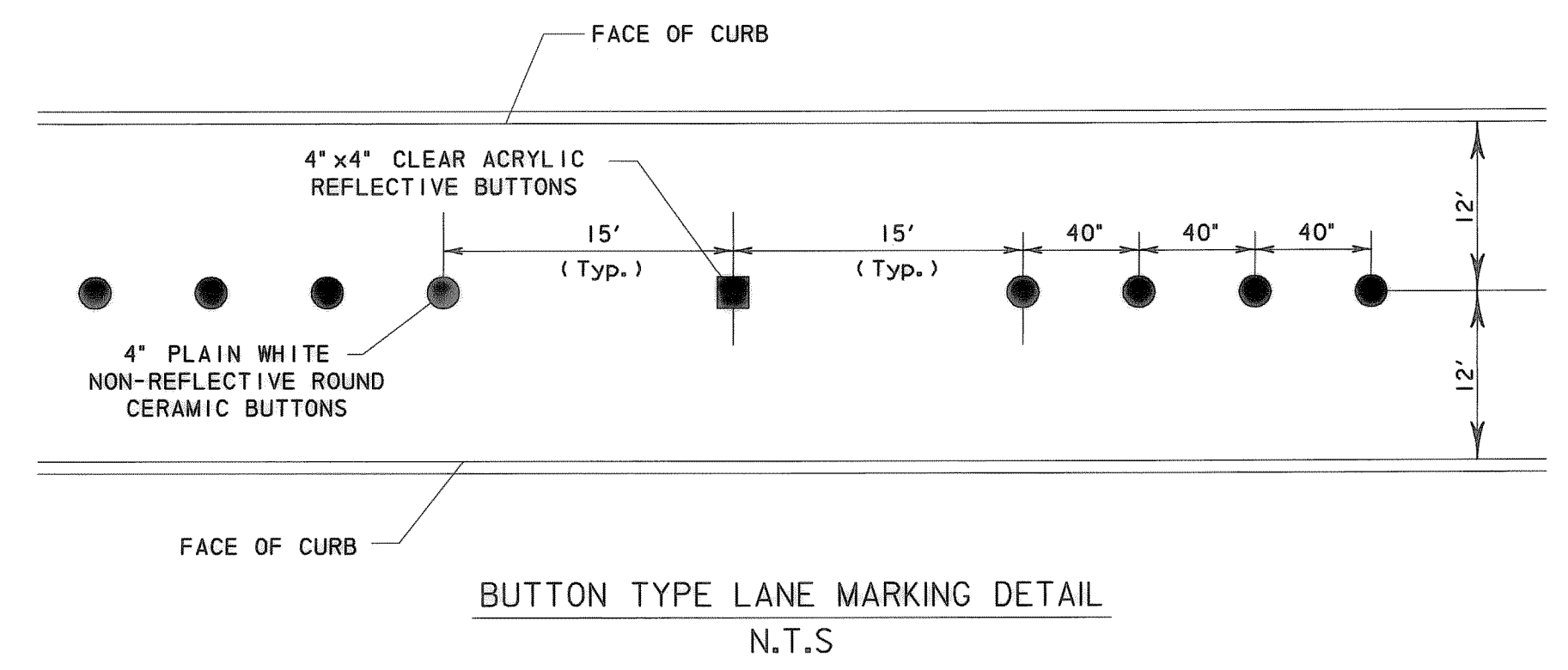
DETAIL OF NOSE FOR MEDIAN ISLAND



COMMON STONE RIPRAP FOR BRIDGE

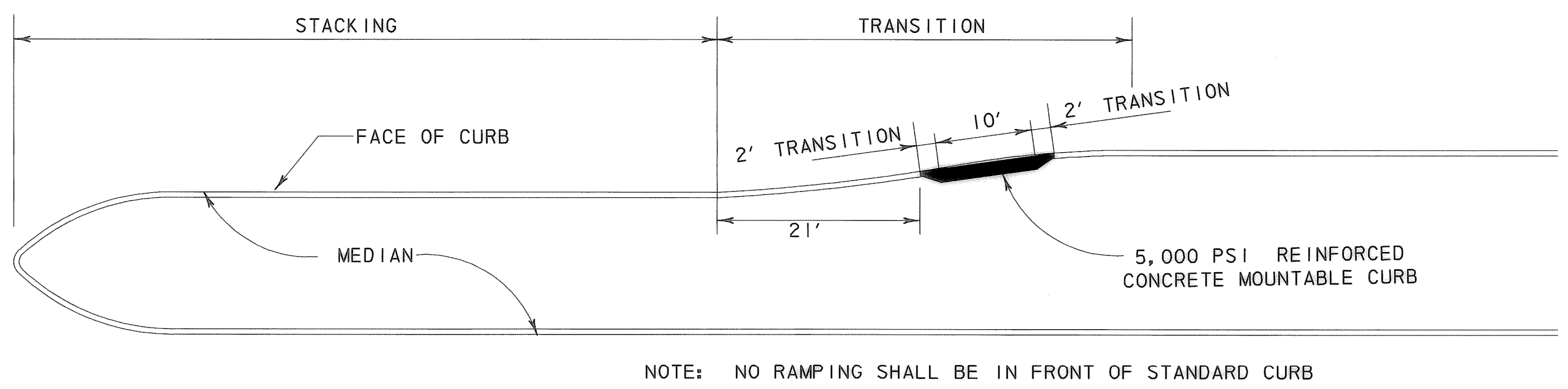


CURB TRANSITION DETAIL  
N. T. S.



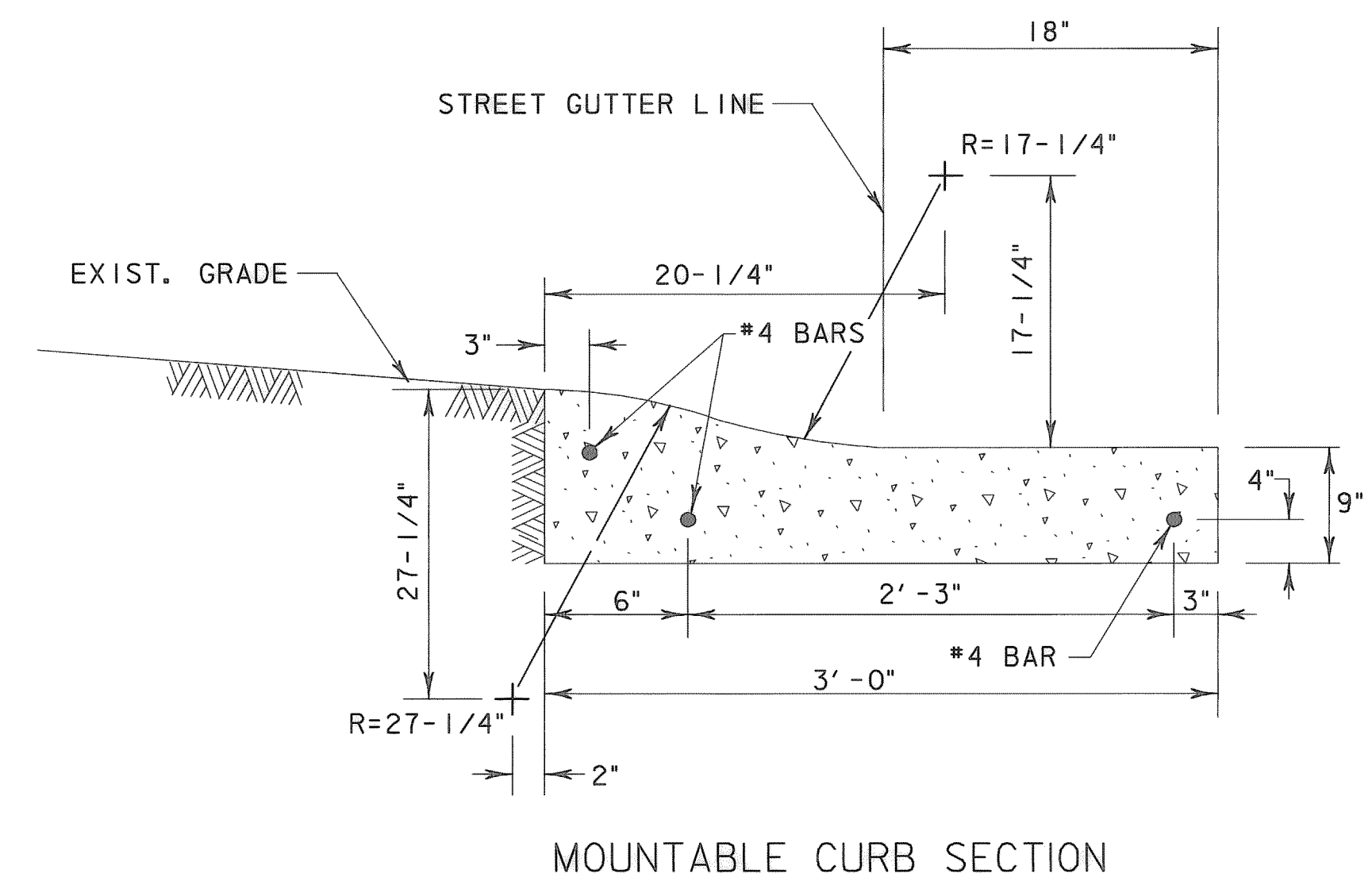
**RECORD DRAWING**  
This drawing is a compilation of the original  
sealed engineering drawing and modifications  
by addenda, change orders and information  
furnished by the contractor. Information shown  
that was provided by the contractor and others  
not associated with the design engineer cannot  
be verified for accuracy or completeness.  
Original sealed drawing is on file at the office  
of AECOM USA Group, Inc.,  
TXBPE REG. NO. F-3082

ORIGINAL DRAWING  
SEALED & SIGNED BY  
T.H. Gaertner, P.E.  
TX NO. 37124



PLAN VIEW

LANDSCAPE MAINTENANCE RAMP  
N.T.S.



MOUNTABLE CURB SECTION

NO.	REVISION	BY	DATE
<b>205 BYPASS PHASE 4</b>			
<b>MISCELLANEOUS ROADWAY DETAILS</b>			
2 OF 2			
<b>TCB   AECOM</b>			
<small>TCB INC. WWW.TCB.AECOM.COM 17300 DALLAS PARKWAY, SUITE 1010 DALLAS, TEXAS 75248</small>			
Unit	PW-DAL-FW	Scale	Horz: AS SHOWN Vert: AS SHOWN
Design	THG	Checked	TCB
Drawn	FG	Approved	TCB
Date	11/11/2009	Project No.	60004153
Sheet	22	of	146

P:\1328\60004153-205Bypass\CADD\Sheets\Phase 4-1201-00 to 141-00\Record Drawing 10-7-09\022P4-MISC-RoadwayDetail1.s02.dgn  
 11/11/2009