

BILL OF REINFORCING STEEL

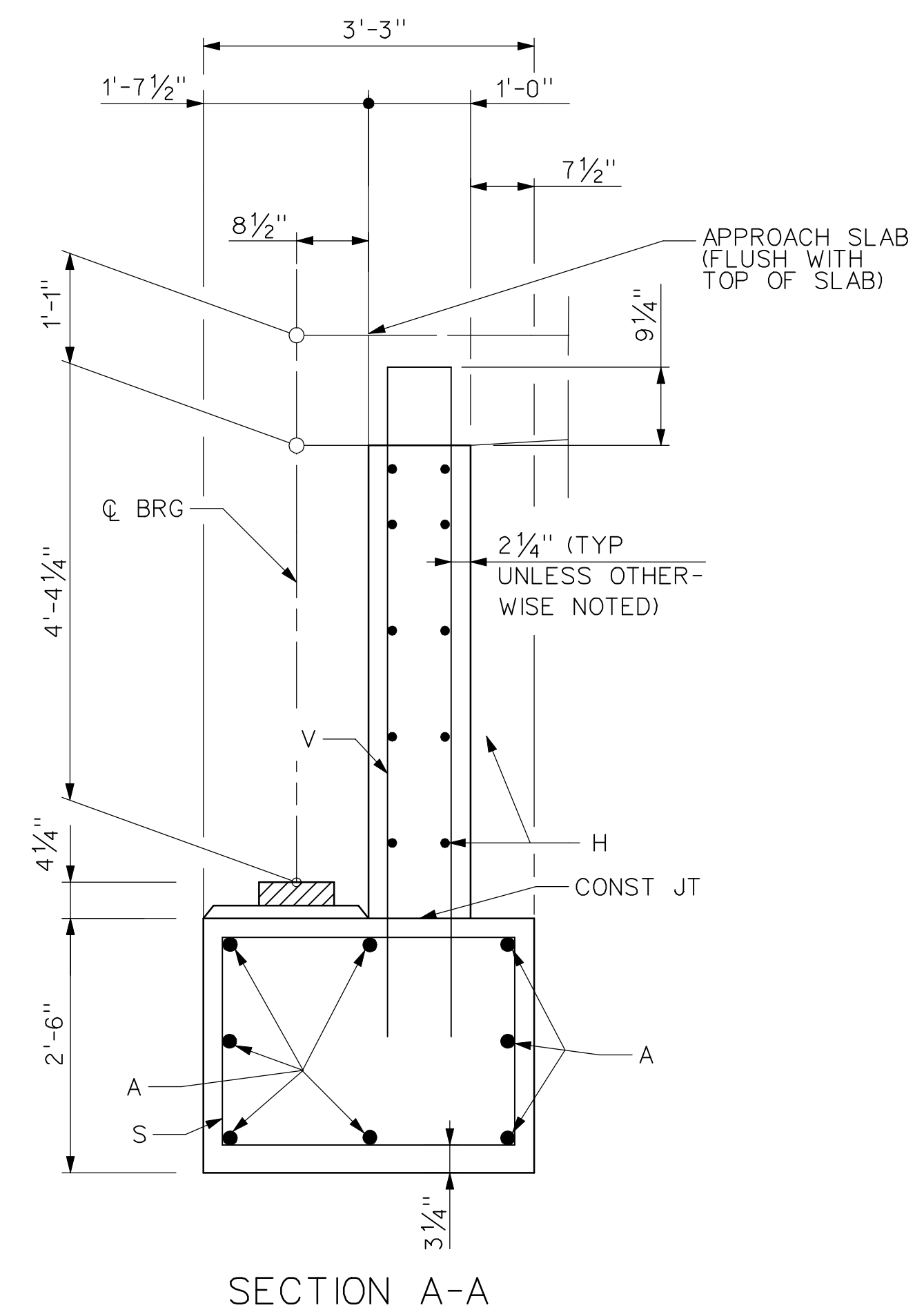
BAR	No	SIZE	LENGTH	WEIGHT
A	8	#11	53'-8"	2,281
H	10	#6	53'-8"	806
L	9	6	4'-0"	54
S	43	#5	10'-8"	478
U	2	#5	7'-10"	16
V	56	#5	13'-11"	813
wH	7	#6	19'-0"	200
wS	19	#5	7'-9"	154
wV	19	#5	14'-2"	281
bH	2	#4	3'-8"	5
bS	5	#4	4'-1"	14
			TOTAL	5,102

ESTIMATED QUANTITIES

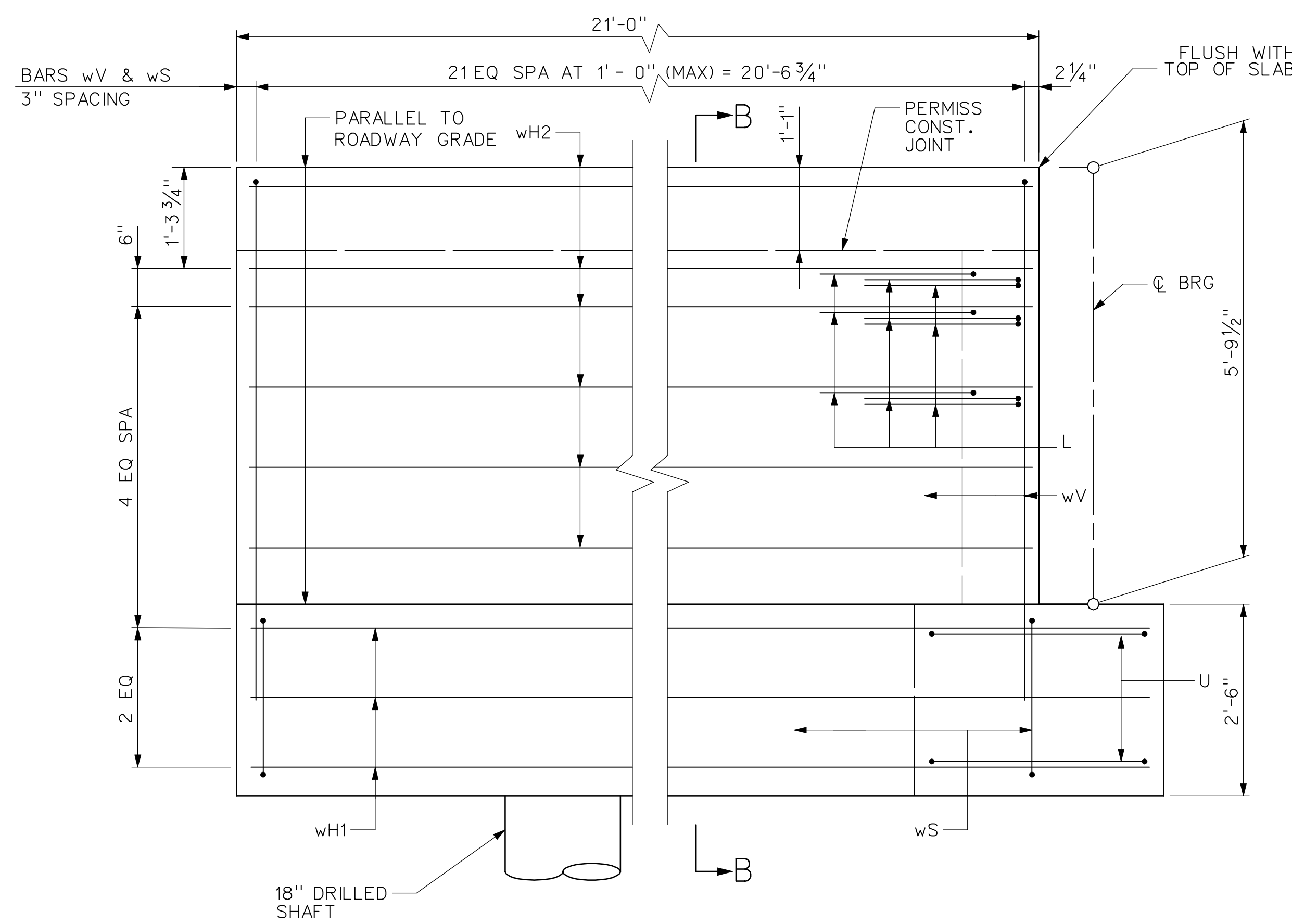
ITEM	UNIT	QUANTITY
REINFORCING STEEL	LB	5,102
CLASS C CONC (ABUT)	CY	34.8
18" DIA DRILLED SHAFT	LF	XX
36" DIA DRILLED SHAFT	LF	XX

FOR CONTRACTOR INFORMATION ONLY

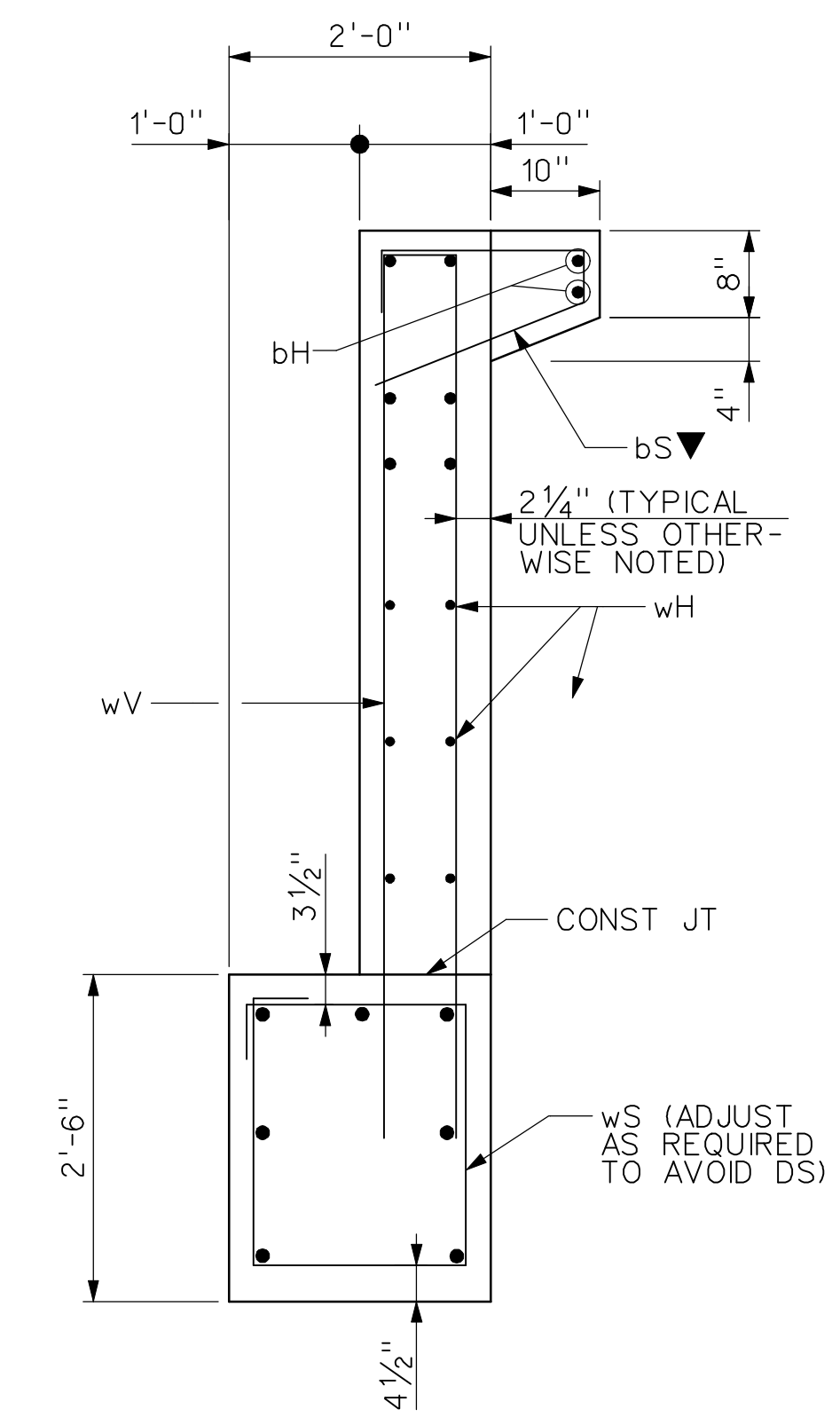
BAR SHOWN TO @ 205 BYPASS. BAR EXTENDS TO ABUT 5 OF NORTHBOUND 205 BYPASS BRIDGE AND INCLUDES 2 MECHANICAL SPLICES.



SECTION A-A

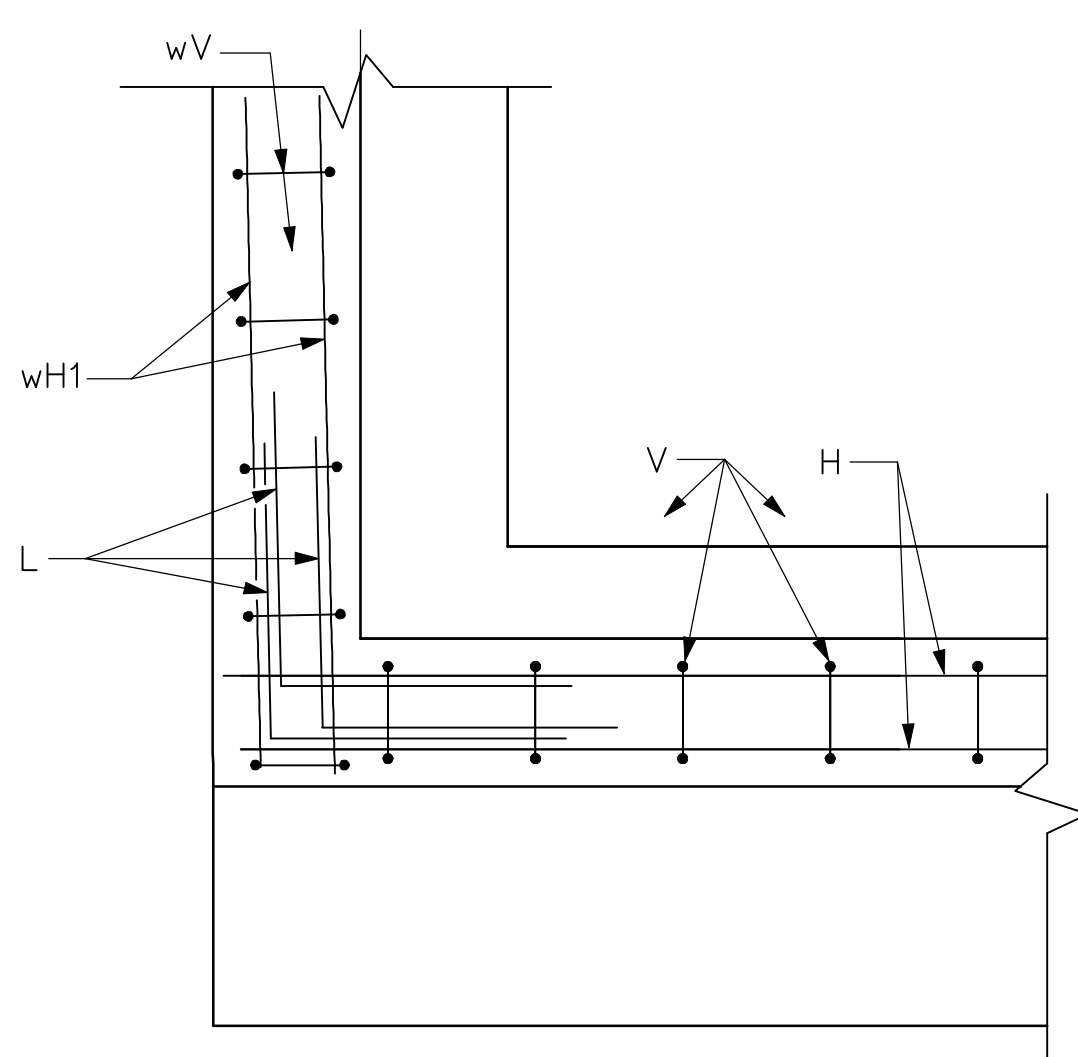
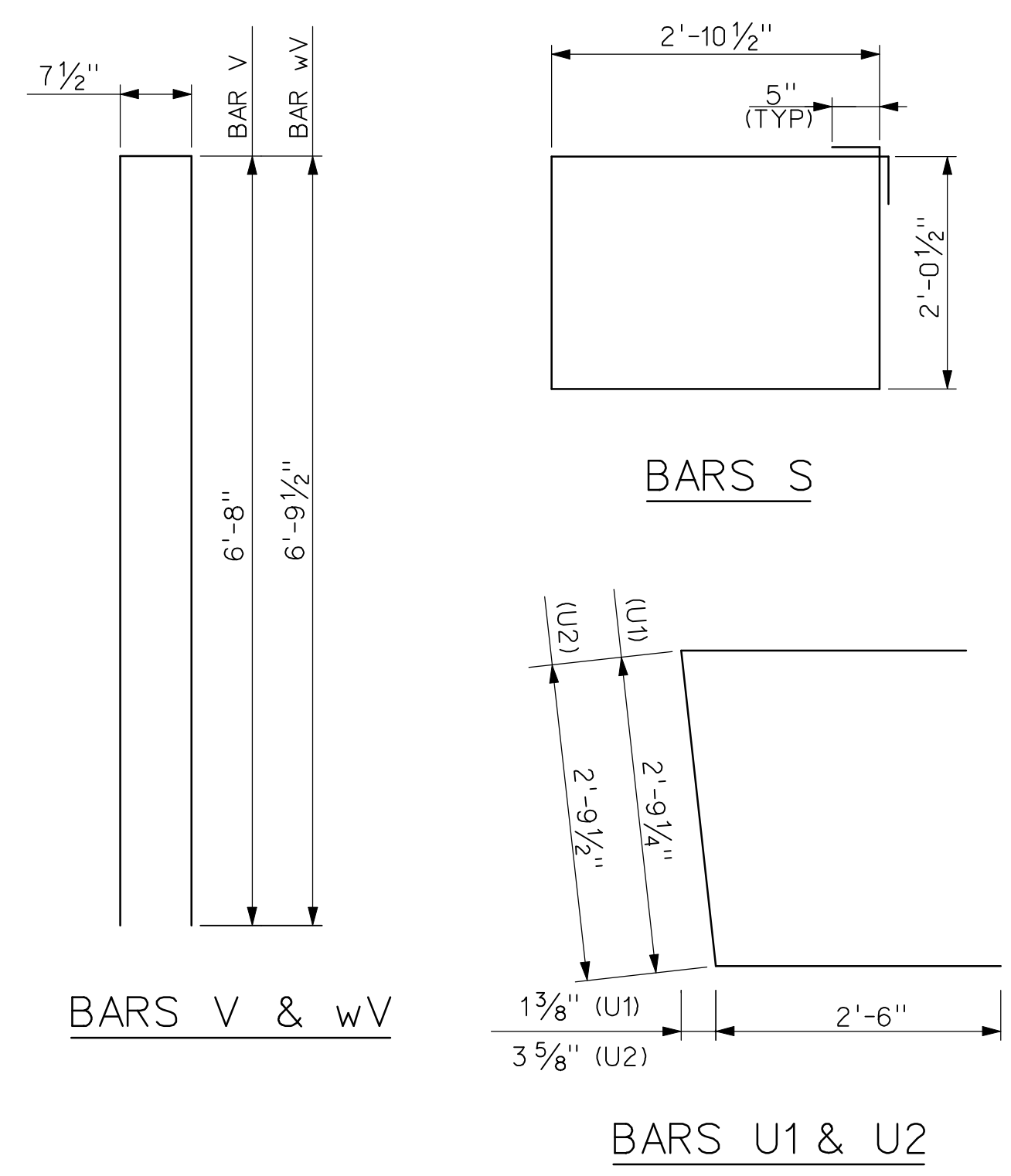


WINGWALL ELEVATION

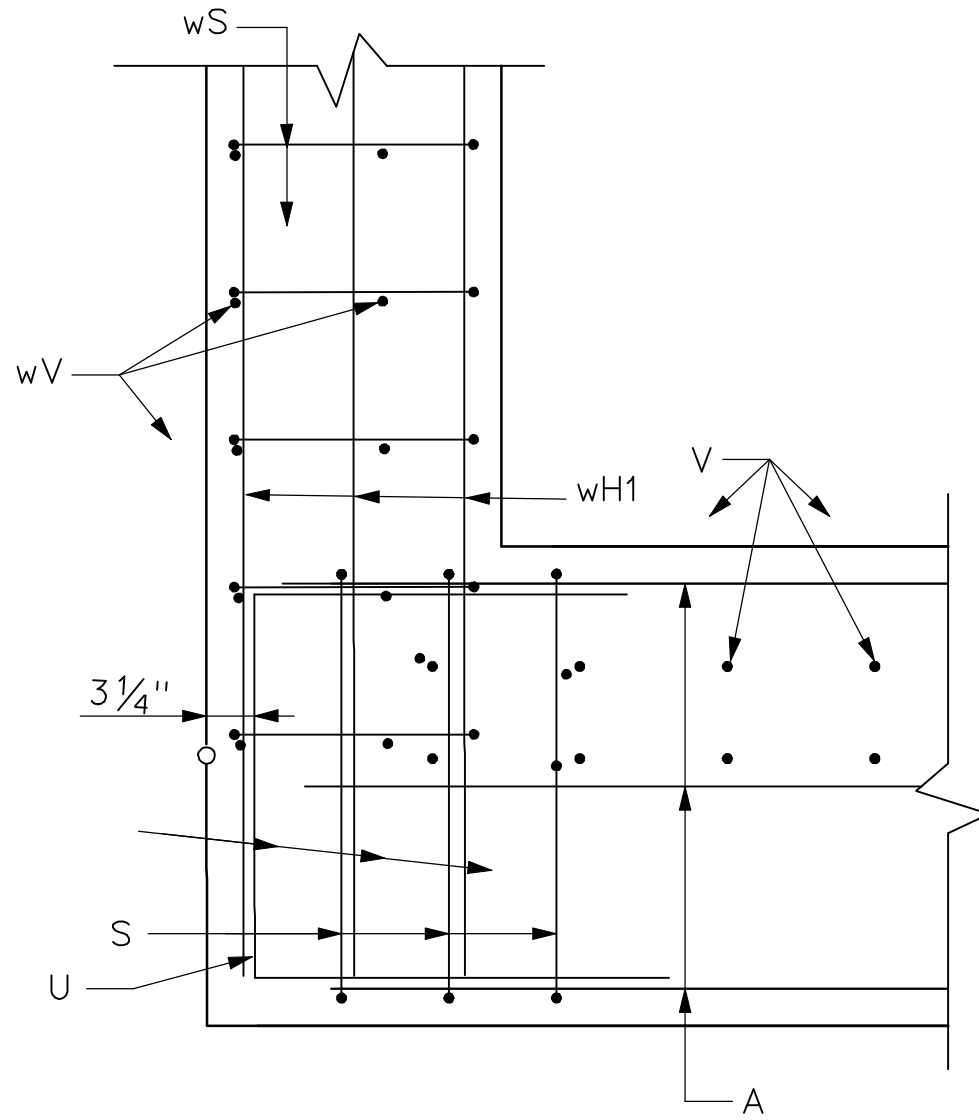


SECTION B-B

PLACE BAR bS AT EA



BACKWALL AND WINGWALL



CAP

CORNER DETAILS

RECORD DRAWING
This drawing is a compilation of the original sealed engineering drawing and modifications by addenda, change orders and information furnished by the contractor. Information shown that was provided by the contractor and others not associated with the design engineer cannot be verified for accuracy or completeness. Original sealed drawing is on file at the office of AECOM USA Group, Inc., TBPE REG. NO. F-3082

ORIGINAL DRAWING SEALED & SIGNED BY
Wally R. Burns, P.E.
TX NO. 44162

HL93 LOADING

NO.	REVISION	BY	DATE

City of Rockwall, Texas

205 BYPASS PHASE 4

SOUTHBOUND 205 BYPASS BRIDGE OVER PHELPS CREEK ABUTMENT 5 DETAILS

TCB AECOM

TCB INC. WWW.TCB.AECOM.COM
17300 DALLAS PARKWAY, SUITE 1010
DALLAS, TEXAS 75248

Unit	PW-DAL-FW	Scale	NOT TO SCALE	Date	11/23/2009
Designed	SDH	Checked	TCB	Project No.	60004153
Drawn	TCB	Approved	TCB	Sheet	111 of 146

P:\328 60004 153-205bypass\cadd\sheet\phase 4-120-00 to 141+00\record drawing 10_7_09\111_205BP-BR-SB-K005b.dgn
11/23/2009