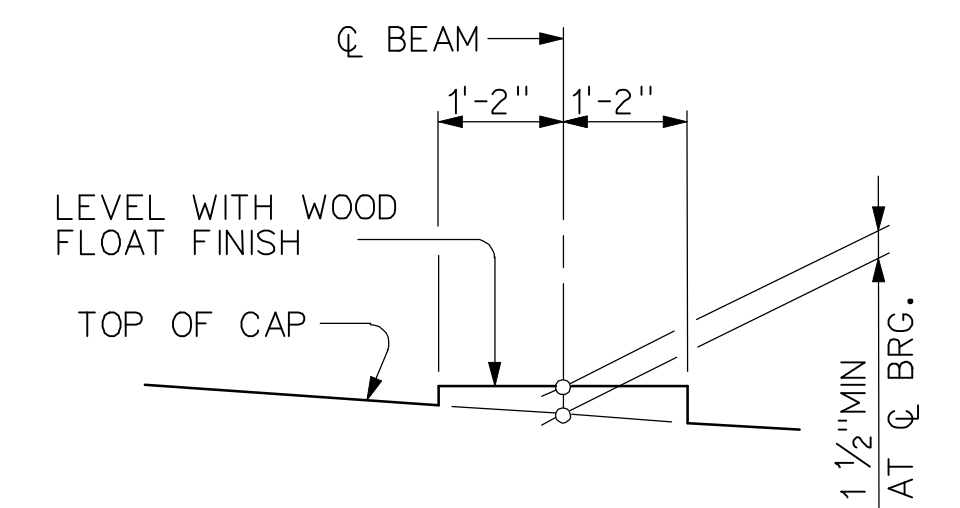
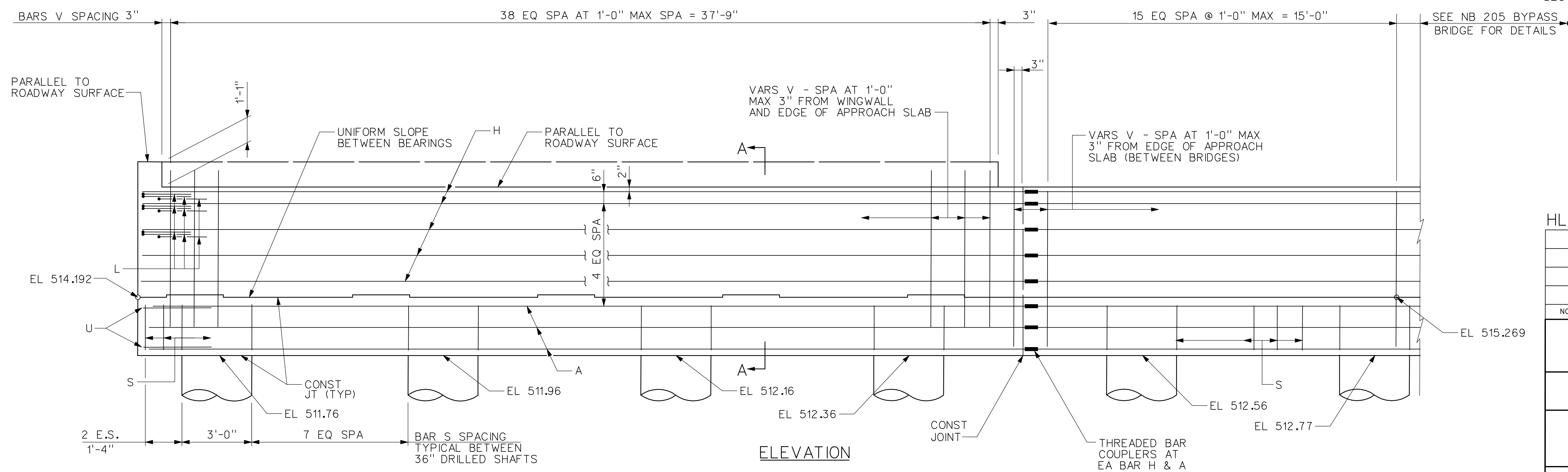


PLAN



BEARING SEAT DETAIL
(BEARING SURFACE SHALL BE CLEAN AND FREE OF ALL LOOSE MATERIAL BEFORE PLACING BEARING PAD.)

- NOTES:
- ALL CONCRETE SHALL BE CLASS "C" WITH MINIMUM COMPRESSIVE STRENGTH $f'_c = 3600$ PSI
 - CHAMFER ALL EXPOSED CORNERS $3/4"$ UNLESS OTHERWISE SHOWN FOR NOTED.
 - ALL REINFORCING STEEL SHALL BE ASTM A-615, GRADE 60.
 - ALL REINFORCING STEEL SHALL HAVE 2" CLEAR COVER UNLESS OTHERWISE SHOWN OR NOTED.
 - MAXIMUM CALCULATED 36" DIA DRILLED SHAFT LOAD = 297 TONS/SHAFT
 - SEE ABUTMENT DETAILS SHEET FOR QUANTITIES, SECTION A-A, AND REINFORCING DETAILS.



ELEVATION

RECORD DRAWING
This drawing is a compilation of the original sealed engineering drawing and modifications by addenda, change orders and information furnished by the contractor. Information shown that was provided by the contractor and others not associated with the design engineer cannot be verified for accuracy or completeness. Original sealed drawing is on file at the office of AECOM USA Group, Inc., TBPE REG. NO. F-3062

ORIGINAL DRAWING SEALED & SIGNED BY
Wally R. Burns, P.E.
TX NO. 44162

HL 93 LOADING

NO.	REVISION	BY	DATE

City of Rockwall, Texas

205 BYPASS PHASE 4

SOUTHBOUND 205 BYPASS BRIDGE OVER PHELPS CREEK

ABUTMENT 5 PLAN AND ELEVATION 1 OF 1

TCB AECOM
TCB INC. WWW.TCB.AECOM.COM
17300 DALLAS PARKWAY, SUITE 1010
DALLAS, TEXAS 75248

Unit	PW-DAL-FW	Scale	3/8" = 1'-0"	Date	11/23/2009
Designed	SDH	Checked	TCB	Project No.	60004153
Drawn	SDH	Approved	TCB	Sheet	110 of 146

P:\4328\60004153-205bypass\cadd\sheet\phase 4 - 120+00 to 141+00\record drawing 10_7_09\110_205BP-BR-SB-KD05a.dgn
11/23/2009