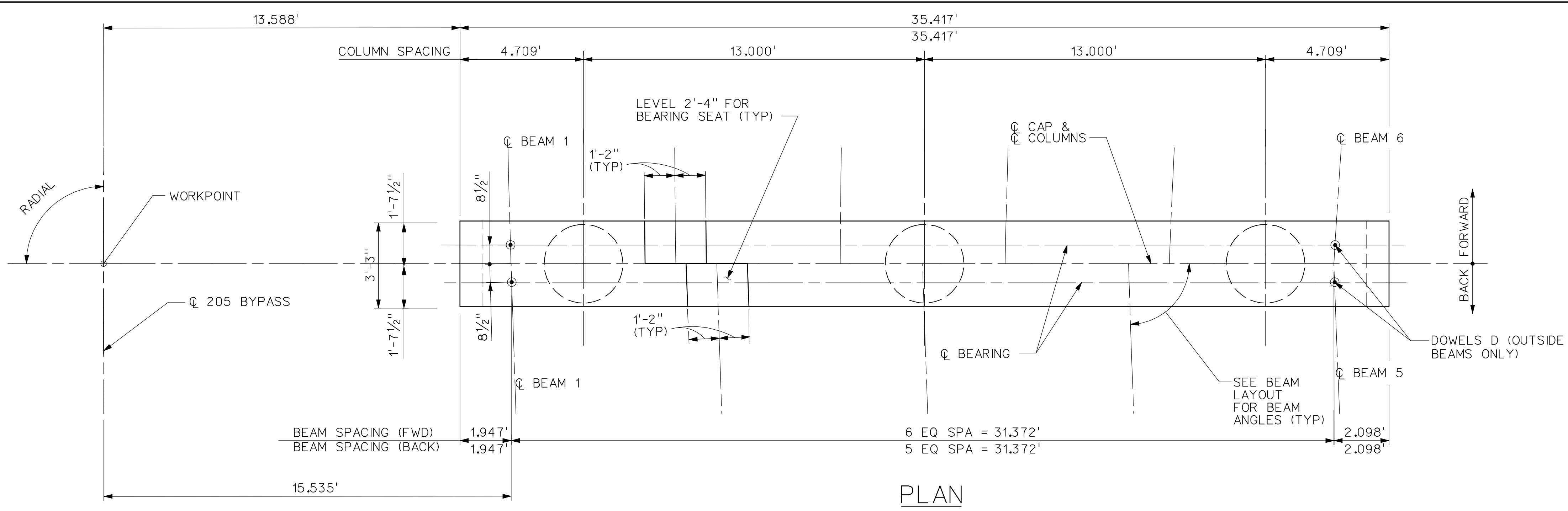
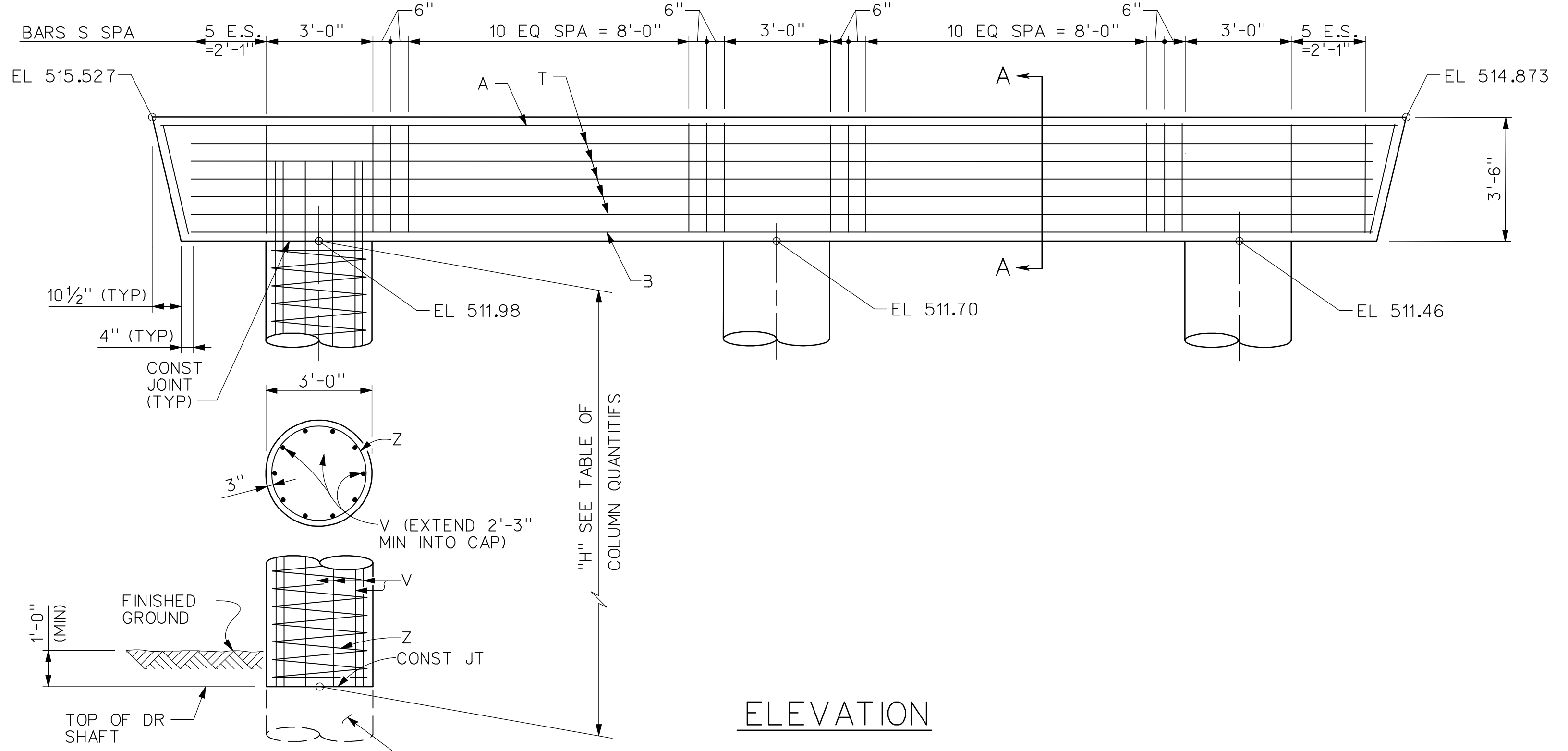


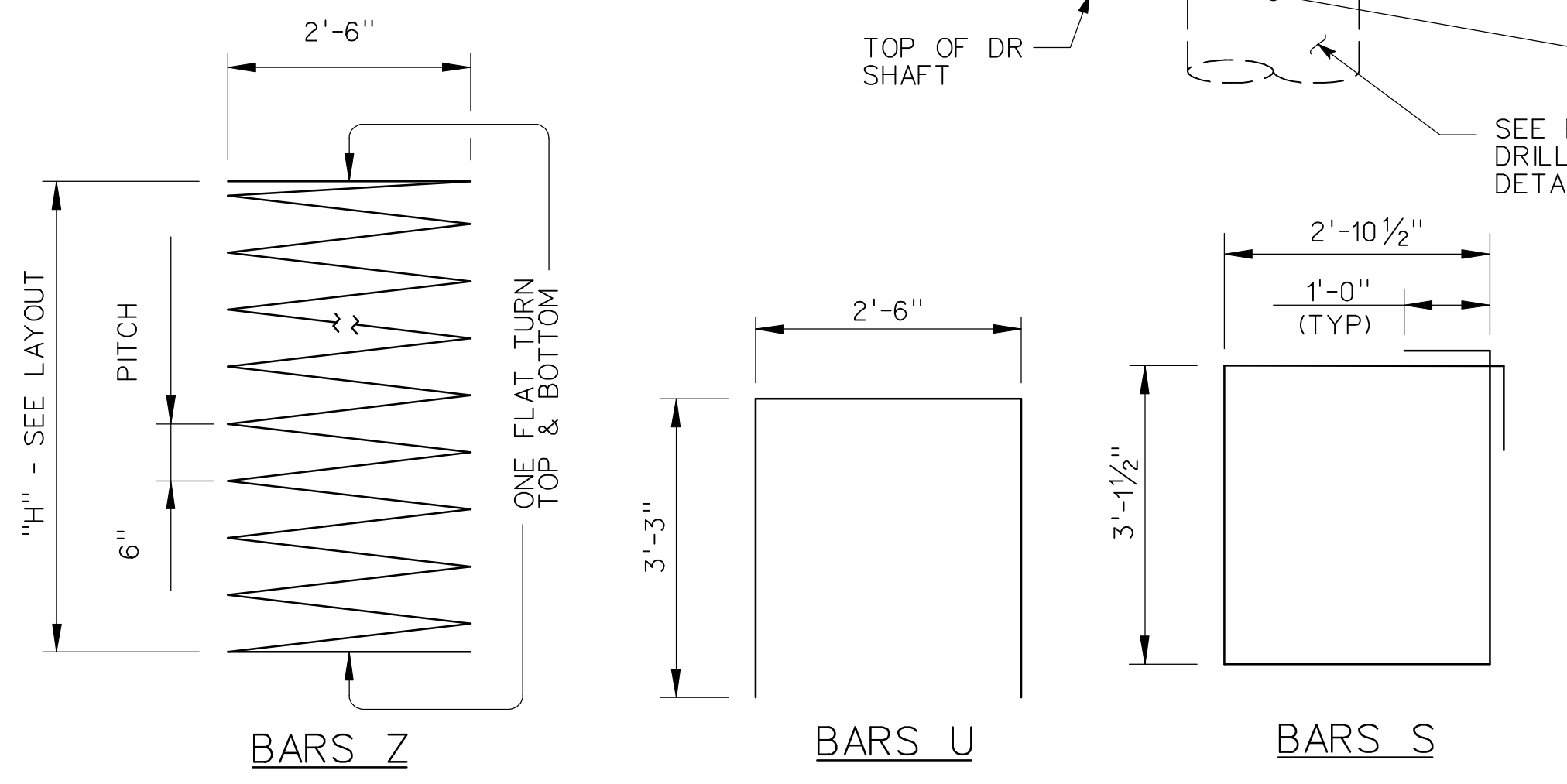
P:\328 60004 153-205bypass\cadd\sheet\phase 4-120-00 to 141+00\record drawing 10_7_09\098_205BP-BR-NB-K004.dgn
11/23/2009



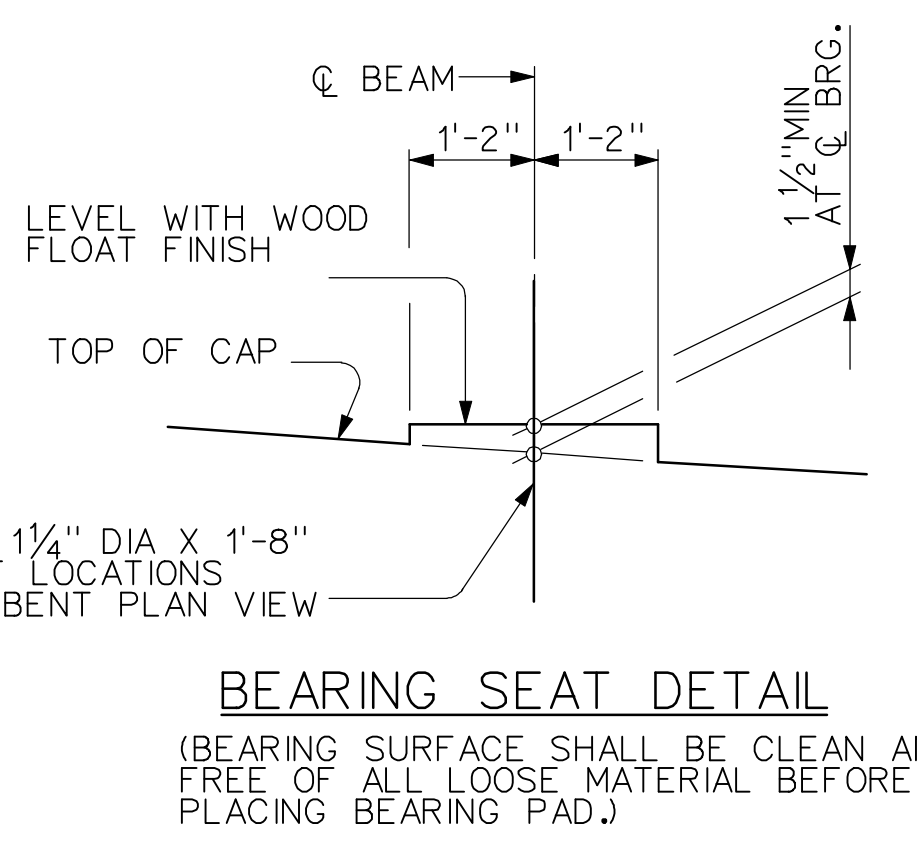
PLAN



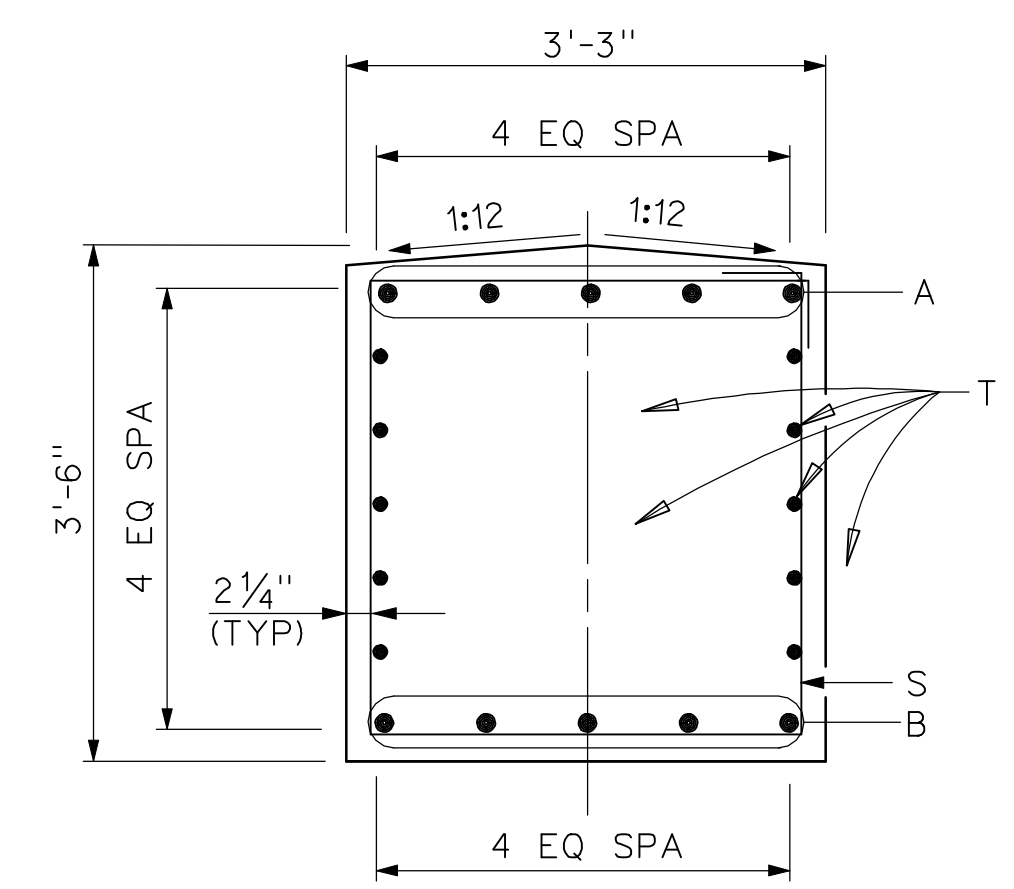
ELEVATION



BAR BEND DIAGRAMS



BEARING SEAT DETAIL



SECTION A-A

EVENLY SPACE ALL REINF STEEL

| BILL OF REINFORCING STEEL ③ | | | | |
|-----------------------------------|------|----------|---------|--------|
| BAR | No | SIZE | LENGTH | WEIGHT |
| A | 8 | #11 | 35'-7" | 1,512 |
| B | 6 | #11 | 34'-5" | 1,071 |
| D | 4 | 1 1/4" D | 1'-8" | 28 |
| S | 38 | #6 | 14'-0" | 799 |
| T | 10 | #5 | 34'-5" | 350 |
| U | 2 | #5 | 9'-5" | 20 |
| V | 30 | #9 | 9'-3" | 944 |
| Z | 3 | #3 | 127'-0" | 143 |
| TOTAL | | | | 4,867 |
| ESTIMATED QUANTITIES | | | | |
| ITEM | UNIT | QUANTITY | | |
| ③ REINFORCING STEEL | LB | 4,867 | | |
| CLASS C CONC (CAP) | CY | 14.8 | | |
| CLASS C CONC (COL) | CY | 5.5 | | |
| ③ FOR CONTRACTOR INFORMATION ONLY | | | | |

NOTES:

- DESIGNED IN ACCORDANCE TO AASHTO LRFD SPECIFICATIONS.
- ALL CONCRETE SHALL BE CLASS "C" WITH MINIMUM COMPRESSIVE STRENGTH $f'_c = 3600$ PSI.
- CHAMFER ALL EXPOSED CORNERS 3/4" UNLESS OTHERWISE SHOWN FOR NOTED.
- ALL REINFORCING STEEL SHALL BE ASTM A-615, GRADE 60.
- ALL REINFORCING STEEL SHALL HAVE 2" CLEAR COVER UNLESS OTHERWISE SHOWN OR NOTED.
- MAXIMUM CALCULATED 36" DIA DRILLED SHAFT LOAD = 309 TONS/SHAFT

RECORD DRAWING
This drawing is a compilation of the original sealed engineering drawing and modifications by addenda, change orders and information furnished by the contractor. Information shown that was provided by the contractor and others not associated with the design engineer cannot be verified for accuracy or completeness. Original sealed drawing is on file at the office of AECOM USA Group, Inc., TBPE REG. NO. F-3082

ORIGINAL DRAWING SEALED & SIGNED BY
Wally R. Burns, P.E.
TX NO. 44162

HL 93 LOADING

| NO. | REVISION | BY | DATE |
|---|------------|--|--------------|
| | | | |
| 205 BYPASS PHASE 4 NORTHBOUND 205 BYPASS BRIDGE OVER PHELPS CREEK INTERIOR BENT 4 PLAN AND ELEVATION OF | | | |
| TCB AECOM | | TCB INC. WWW.TCB.AECOM.COM 17300 DALLAS PARKWAY, SUITE 1010 DALLAS, TEXAS 75248 | |
| Unit | PW-DAL-FW | Scale | 3/8" = 1'-0" |
| Designed | SDH | Checked | TCB |
| Drawn | SDH | Approved | TCB |
| Date | 11/23/2009 | Project No. | 60004153 |
| Sheet | 98 | of | 146 |