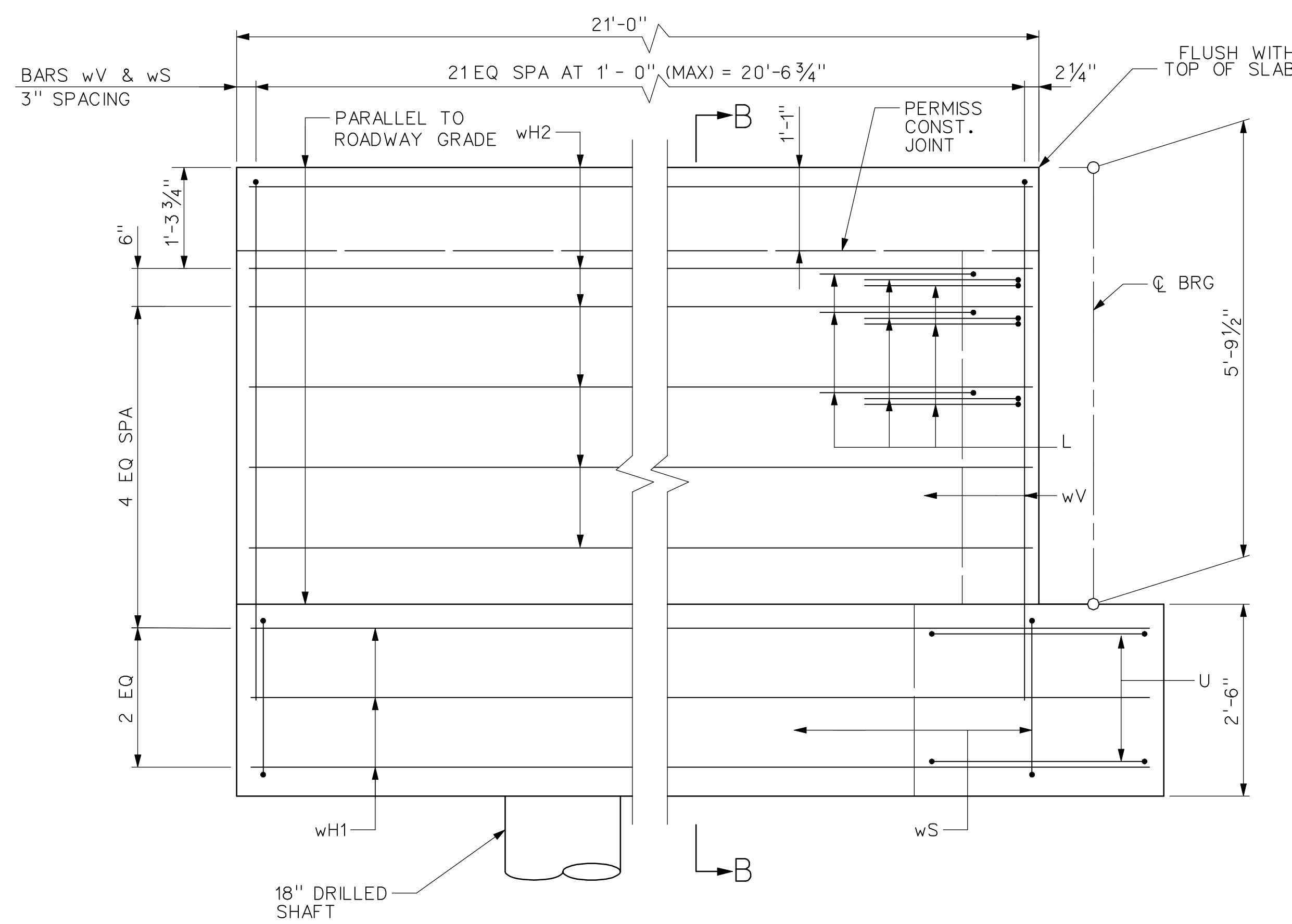
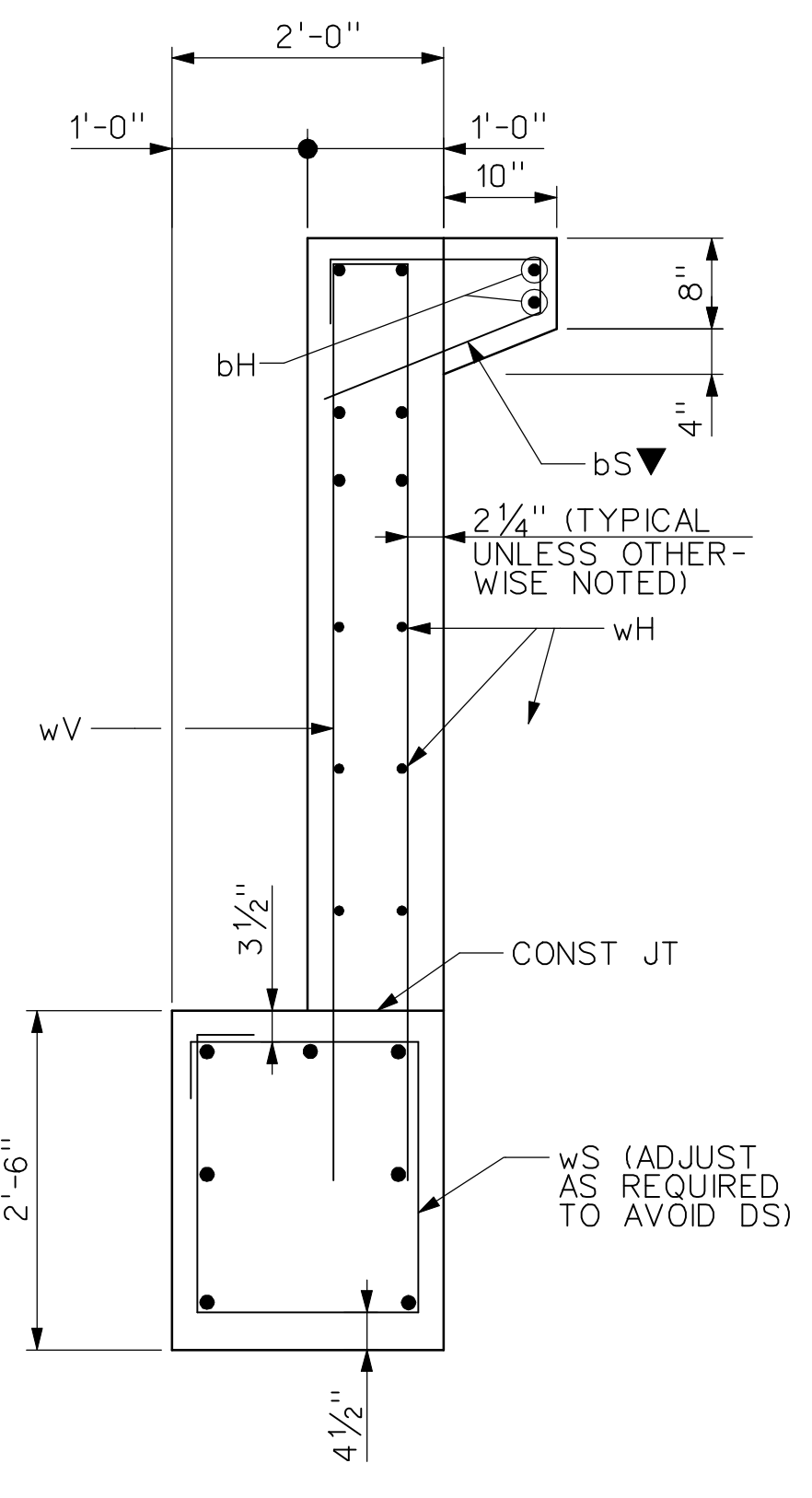


SECTION A-A

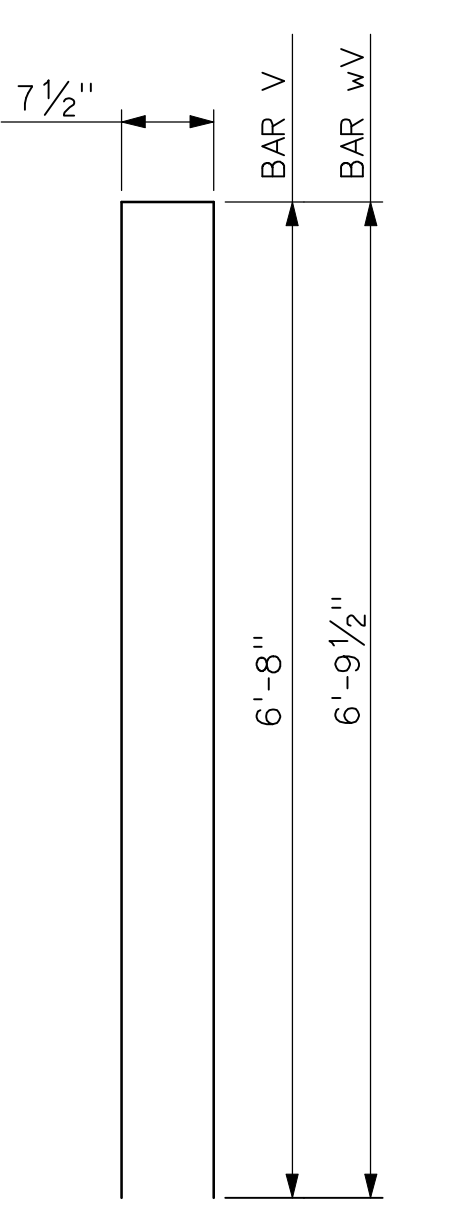


WINGWALL ELEVATION

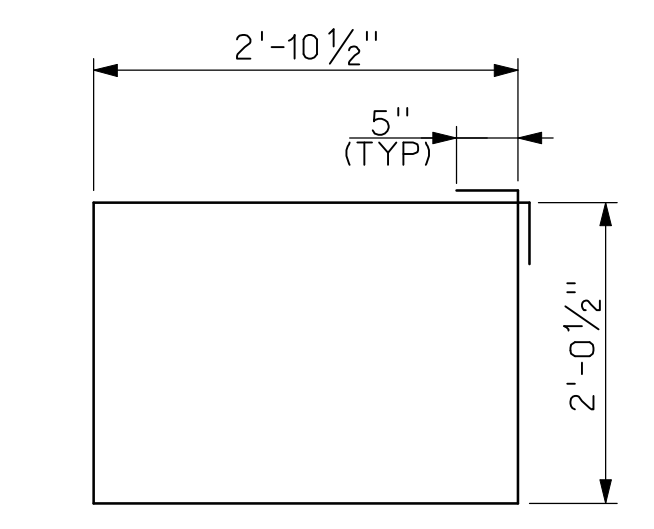


SECTION B-B

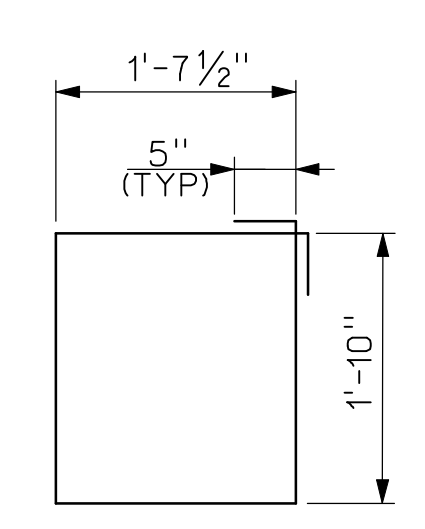
▼PLACE BAR bS AT EA



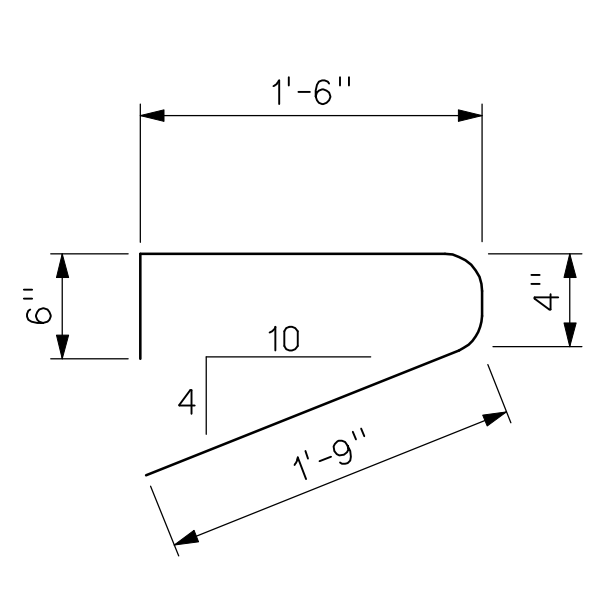
BARS V & wV



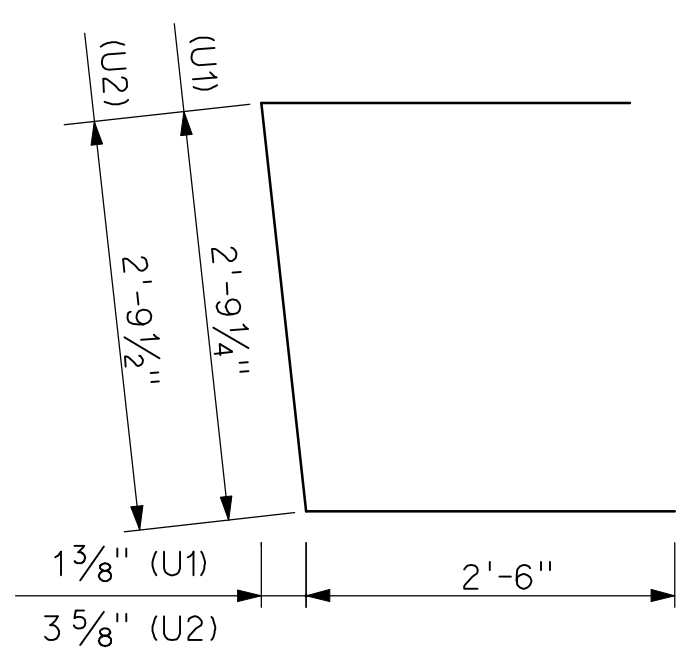
BARS S



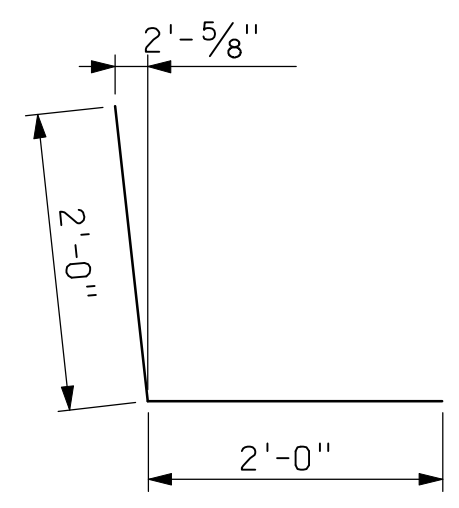
BARS wS



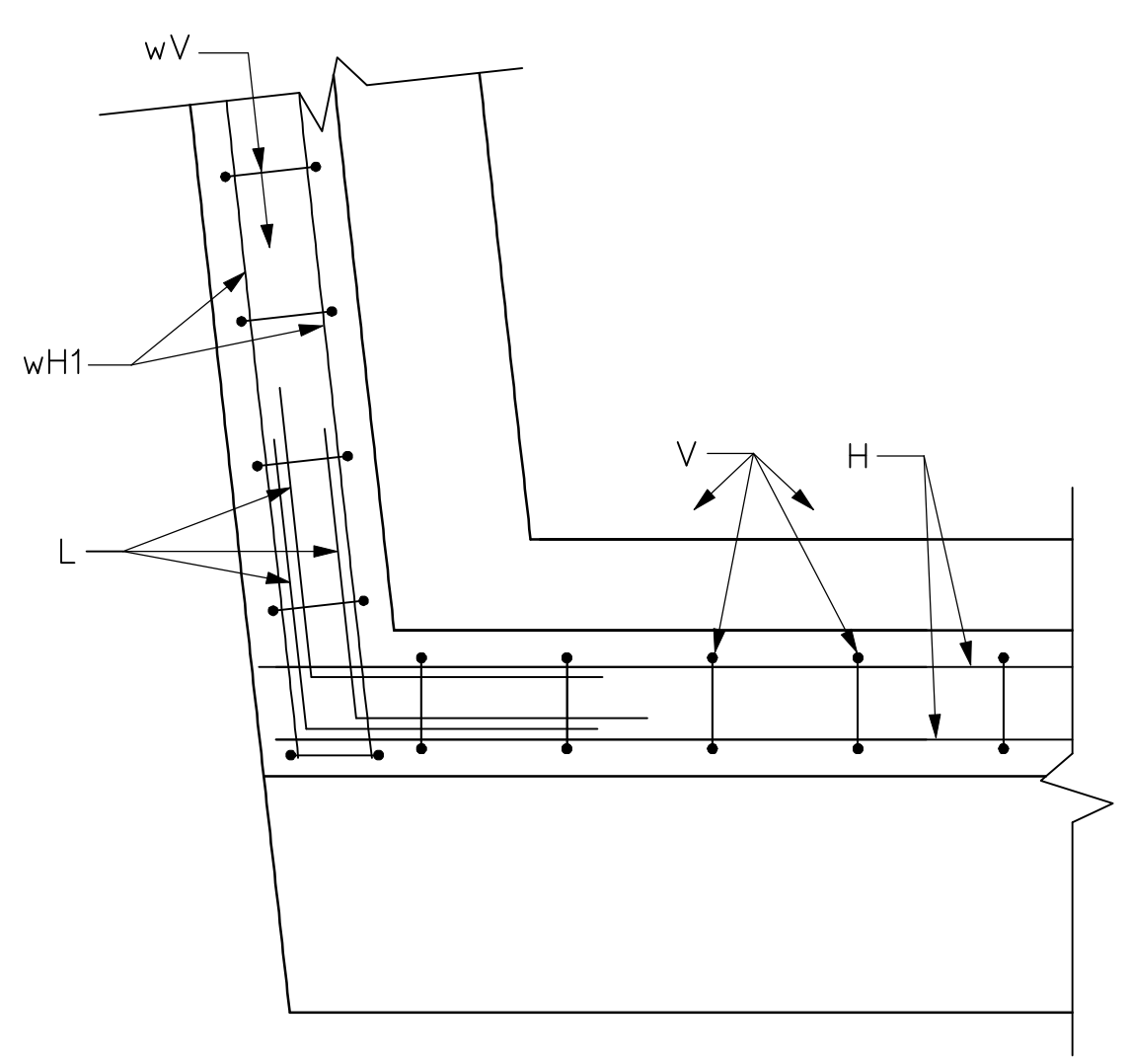
BARS bS



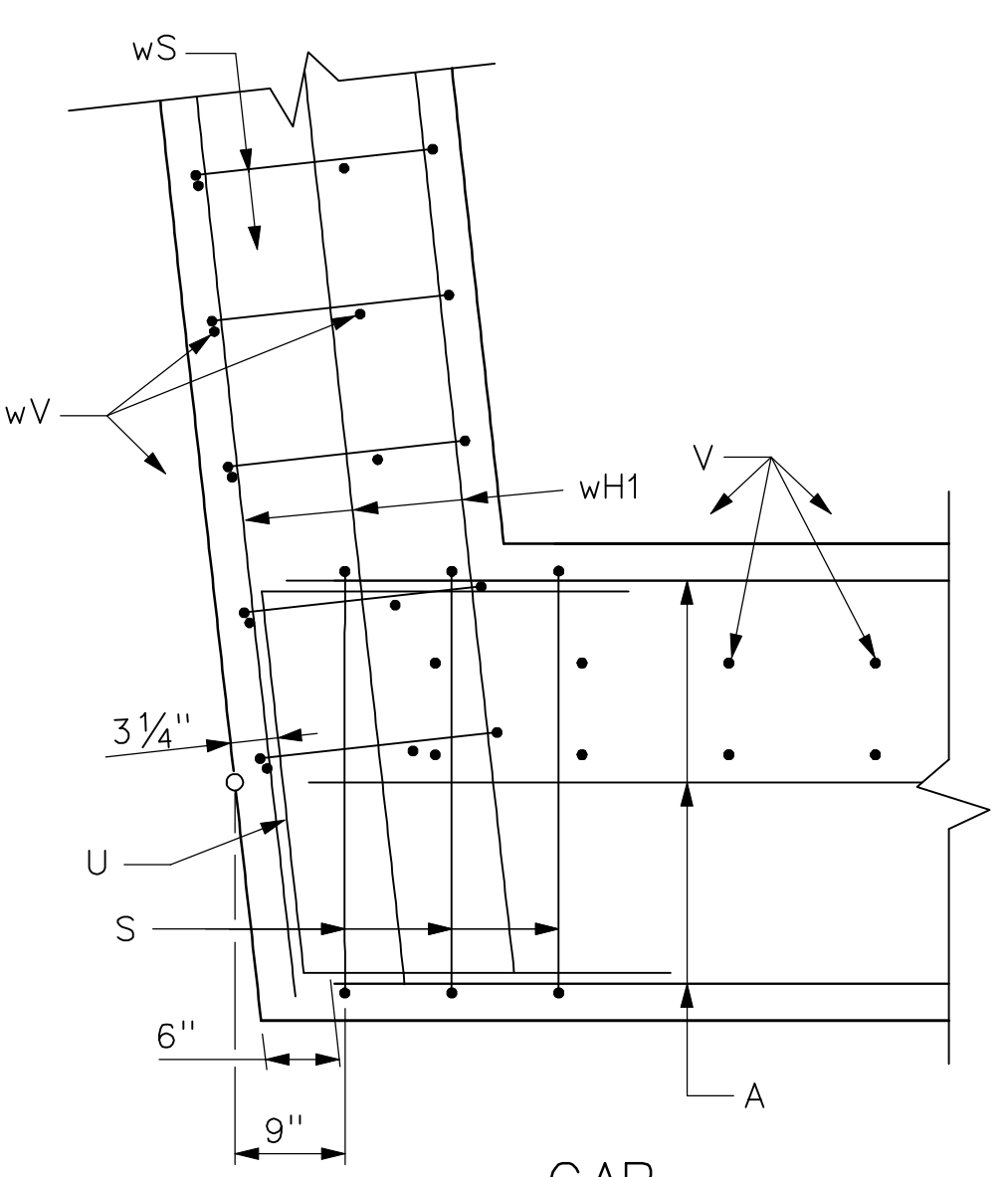
BARS U1 & U2



BARS L



BACKWALL AND WINGWALL



CAP

CORNER DETAILS

BILL OF REINFORCING STEEL (C)				
BAR	No	SIZE	LENGTH	WEIGHT
A	8	#11	52'-0"	2,210
H	10	#6	52'-0"	781
L	4	6	4'-0"	24
S	10	#5	10'-8"	111
U	2	#5	7'-10"	16
V	62	#5	13'-11"	900
wH	7	#6	19'-0"	200
wS	19	#5	7'-9"	154
wV	19	#5	14'-2"	281
bH	2	#4	3'-8"	5
bS	5	#4	4'-1"	14
TOTAL				4,696

ESTIMATED QUANTITIES		
ITEM	UNIT	QUANTITY
REINFORCING STEEL	LB	4,696
CLASS C CONC (ABUT)	CY	33.2
18" DIA DRILLED SHAFT	LF	26
36" DIA DRILLED SHAFT	LF	180

(C) FOR CONTRACTOR INFORMATION ONLY  
 (B) BAR SHOWN TO CL 205 BYPASS. BAR EXTENDS TO ABUT 1 OF SOUTHBOUND 205 BYPASS BRIDGE AND INCLUDES 2 MECHANICAL SPLICES.

**RECORD DRAWING**  
 This drawing is a compilation of the original sealed engineering drawing and modifications by addenda, change orders and information furnished by the contractor. Information shown that was provided by the contractor and others not associated with the design engineer cannot be verified for accuracy or completeness. Original sealed drawing is on file at the office of AECOM USA Group, Inc., TBPE REG. NO. F-3082

ORIGINAL DRAWING SEALED & SIGNED BY  
 Wally R. Burns, P.E.  
 TX NO. 44162

HL93 LOADING			
NO.	REVISION	BY	DATE

**City of Rockwall, Texas**  
 205 BYPASS PHASE 4  
 NORTHBOUND 205 BYPASS BRIDGE OVER PHELPS CREEK ABUTMENT 1 DETAILS

TCB AECOM		TCB INC.	
Unit	PW-DAL-FW	Scale	NOT TO SCALE
Designed	SDH	Checked	TCB
Drawn	TCB	Approved	TCB
Date	11/23/2009	Project No.	60004153
Sheet	93 of 146		

P:\328 60004 153-205bypass\cadd\sheet\phase 4-120-00 to 141-00\record drawing 10\_7\_09\093\_205BP-BR-NB-K001b.dgn  
 11/23/2009