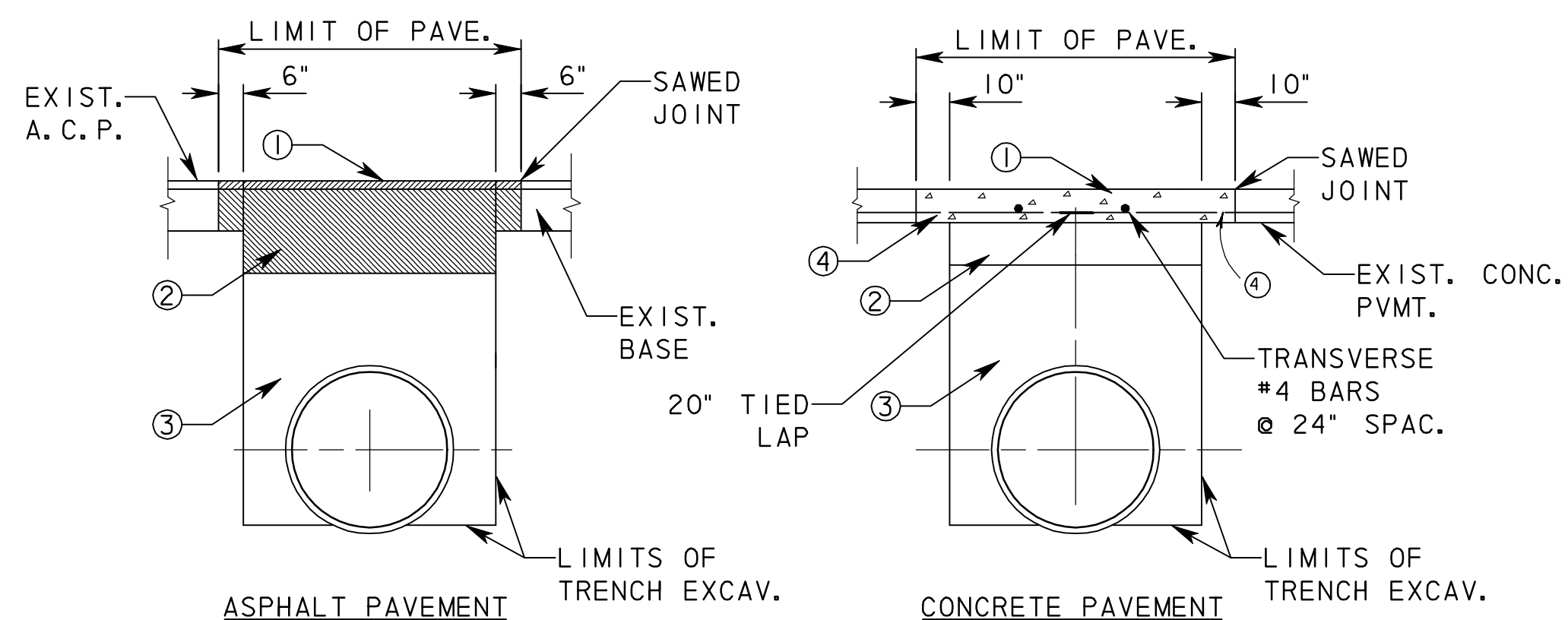
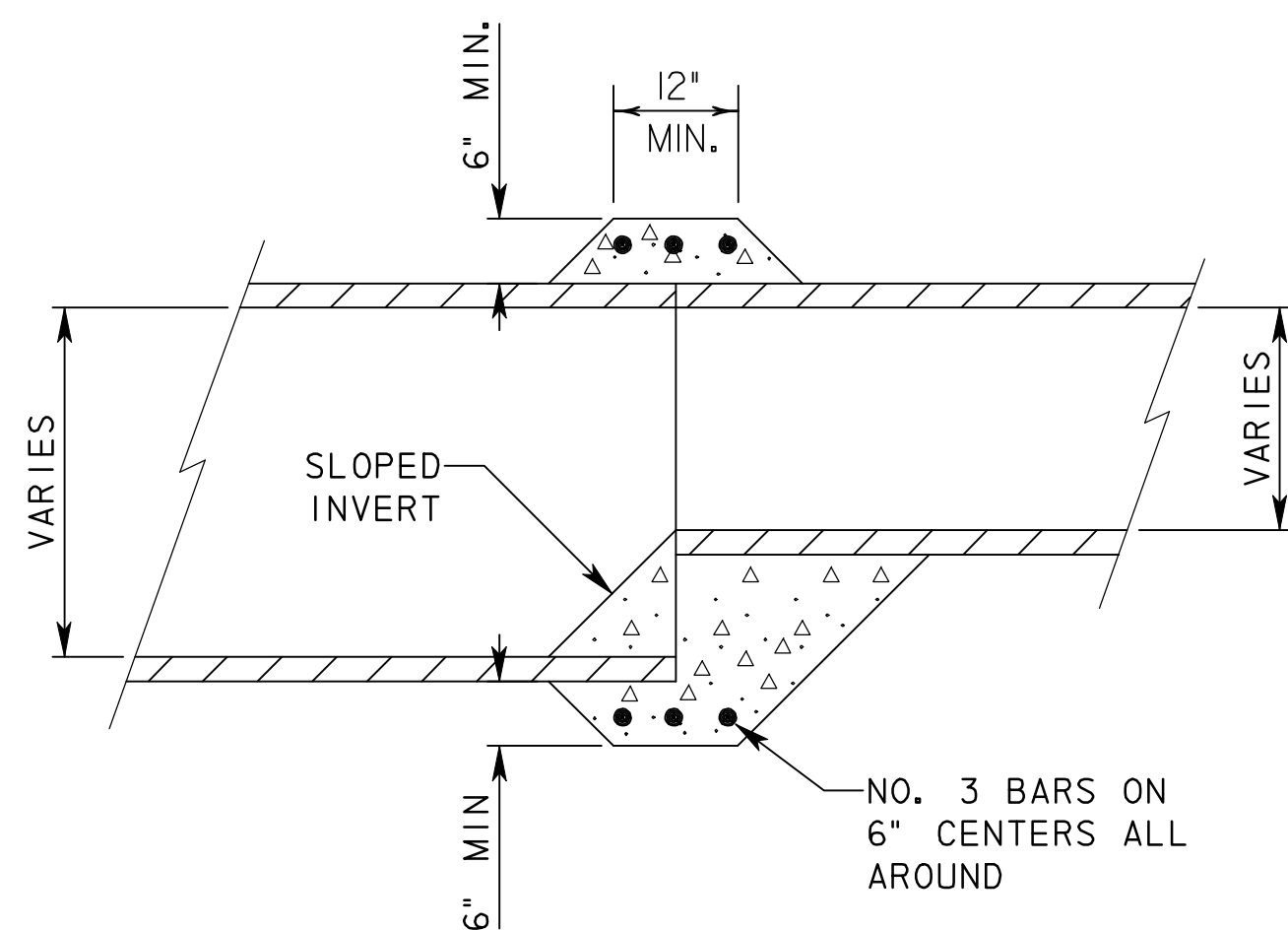


- ① APPROX. 2" HMAC, TY. "D"
- ② APPROX. 10" HMAC BASE, TY. "B"
- ③ MECHANICALLY TAMPED NATIVE MATERIAL, MAXIMUM LIFT OF 6"

- ① CLASS "A" CONC. PVMT. (TO MATCH EXIST. PVMT. DEPTH)
- ② 8" FLEXIBLE BASE
- ③ MECHANICALLY TAMPED NATIVE MATERIAL, MAXIMUM LIFT OF 6"
- ④ 8" WELDED LAP



CUT AND RESTORE PAVEMENT DETAILS



NOTES

- 1. CONCRETE FOR COLLAR WILL NOT BE PAID FOR DIRECTLY, BUT WILL BE CONSIDERED SUBSIDIARY TO THE VARIOUS OTHERS BIDS.
- 2. CONCRETE SHALL BE 5 SACK 3000 PSI

PIPE COLLAR DETAIL
NTS

RECORD DRAWING

This drawing is a compilation of the original sealed engineering drawing and modifications by addenda, change orders and information furnished by the contractor. Information shown that was provided by the contractor and others not associated with the design engineer cannot be verified for accuracy or completeness. Original sealed drawing is on file at the office of AECOM USA Group, Inc., TBPE REG. NO. F-3082

ORIGINAL DRAWING
SEALED & SIGNED BY
T.H. Gaertner, P.E.
TX NO. 37124

NO.	REVISION	BY	DATE
1	DELETE CLASS "C" EMBEDMENT DETAIL	THG	06/10/08



City of Rockwall, Texas

205 BYPASS
PHASE 4

MISC. DRAINAGE DETAILS

1 OF 1

TCB AECOM
TCB INC.
WWW.TCB.AECOM.COM
17300 DALLAS PARKWAY, SUITE 1010
DALLAS, TEXAS 75248

Unit	PW-DAL-FW	Scale	Horz: AS SHOWN Vert: AS SHOWN	Date	11/23/2009
Designed	THG	Checked	TCB	Project No.	60004153
Drawn	FG	Approved	TCB	Sheet	33 of 146