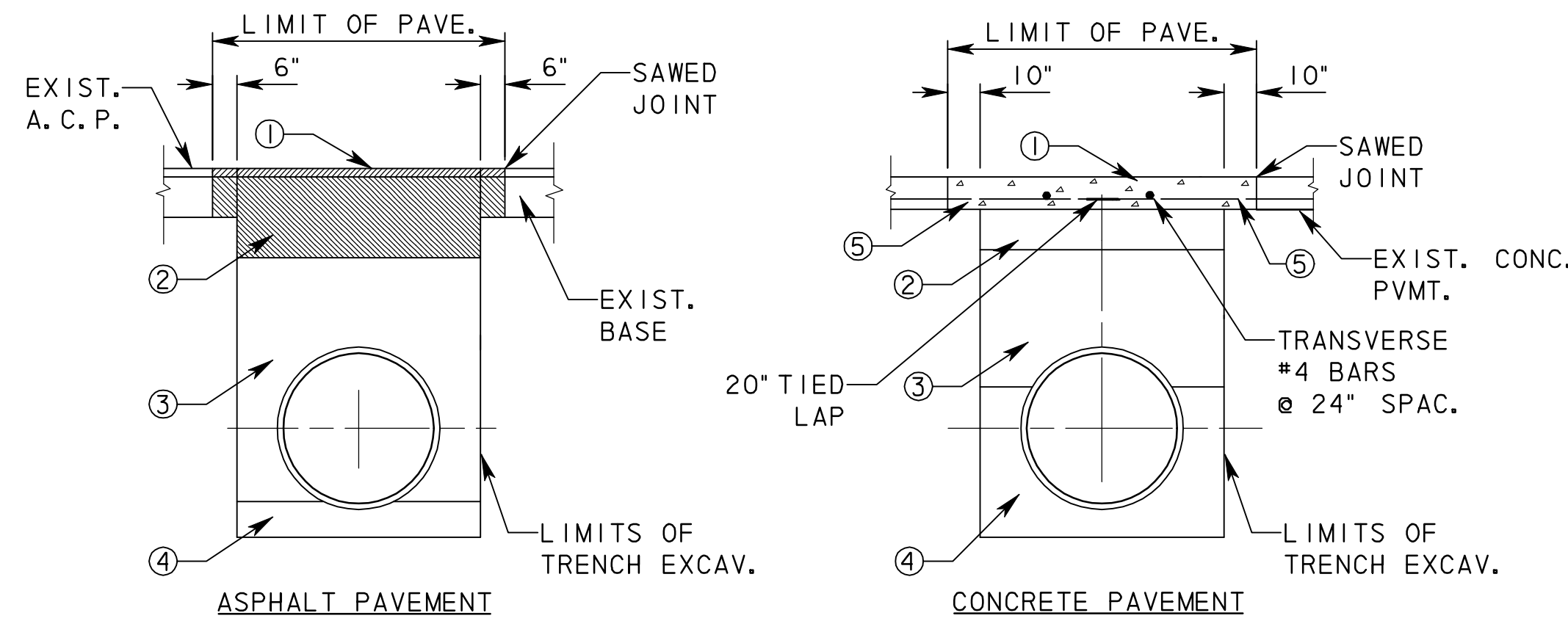


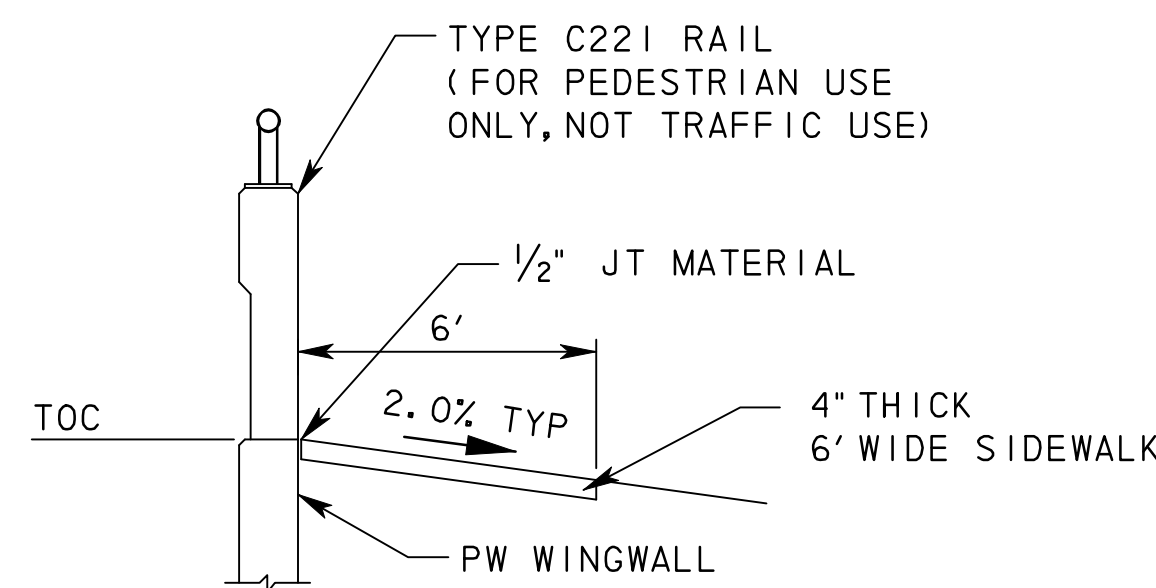
- ① 2" TYPE "D" HMAC
- ② 10" TYPE "B" HMAC BASE
(USE 6" THICK FOR TEMP. PVMT.
PATCH WITH NO TY. "D" COURSE)
- ③ MECHANICALLY TAMPED NATIVE
MATERIAL, MAXIMUM LIFT OF 6",
COMPACTED TO 95% STD. PROCTOR
DENSITY
- ④ BEDDING: SEE NOTE 1

- ① CLASS "C" CONC. PVMT.
(MATCH EXIST. PVMT. DEPTH)
- ② 8" FLEXIBLE BASE MATERIAL
MECHANICALLY TAMPED NATIVE
- ③ MATERIAL, MAXIMUM LIFT OF 6",
COMPACTED TO 95% STD. PROCTOR
DENSITY
- ④ BEDDING: SEE NOTE 1
- ⑤ 8" WELDED LAP

NOTE 1: BEDDING FOR STORM DRAINS IS CLASS B-1,
BEDDING FOR PVC WATER PIPE IS CLASS B-3.
BEDDING FOR PVC SANITARY SEWER IS CLASS B-2.

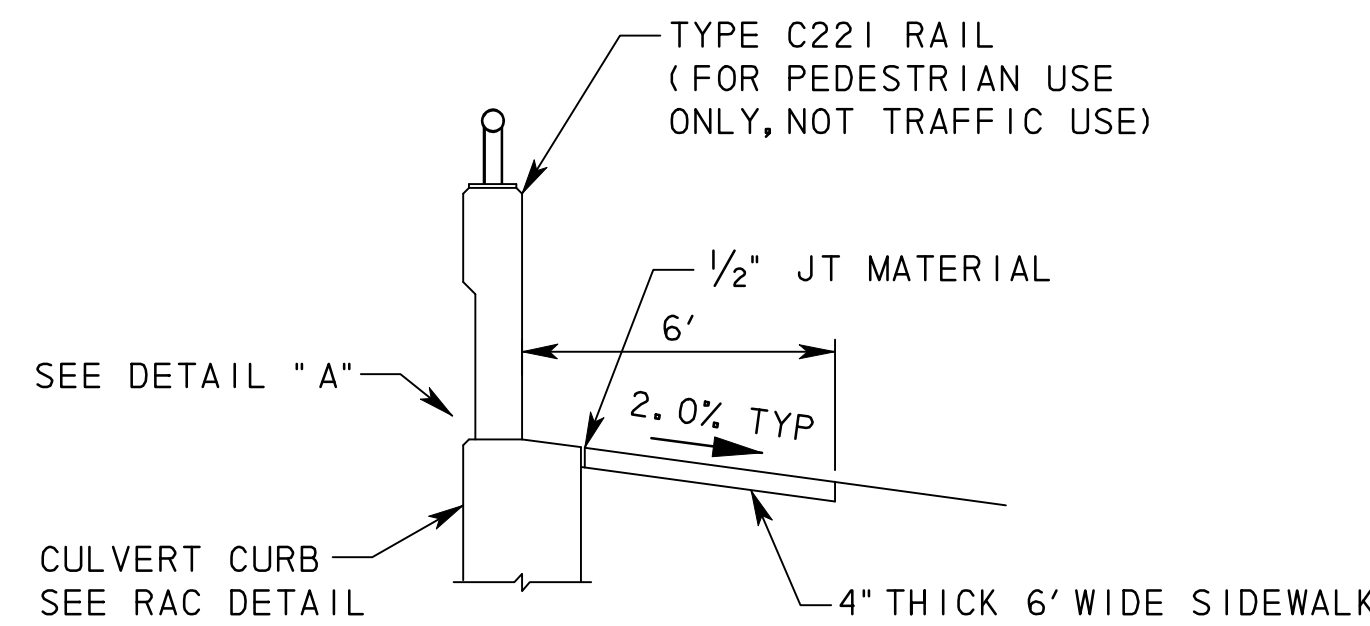


CUT AND RESTORE PAVEMENT DETAILS



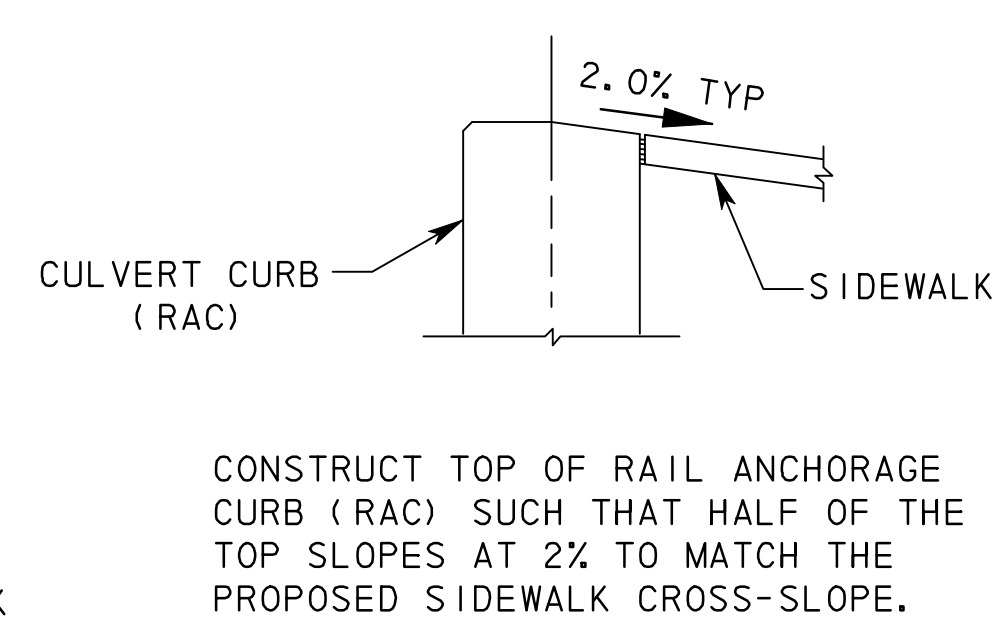
RAIL DETAIL AT CULVERT WINGWALLS

NTS



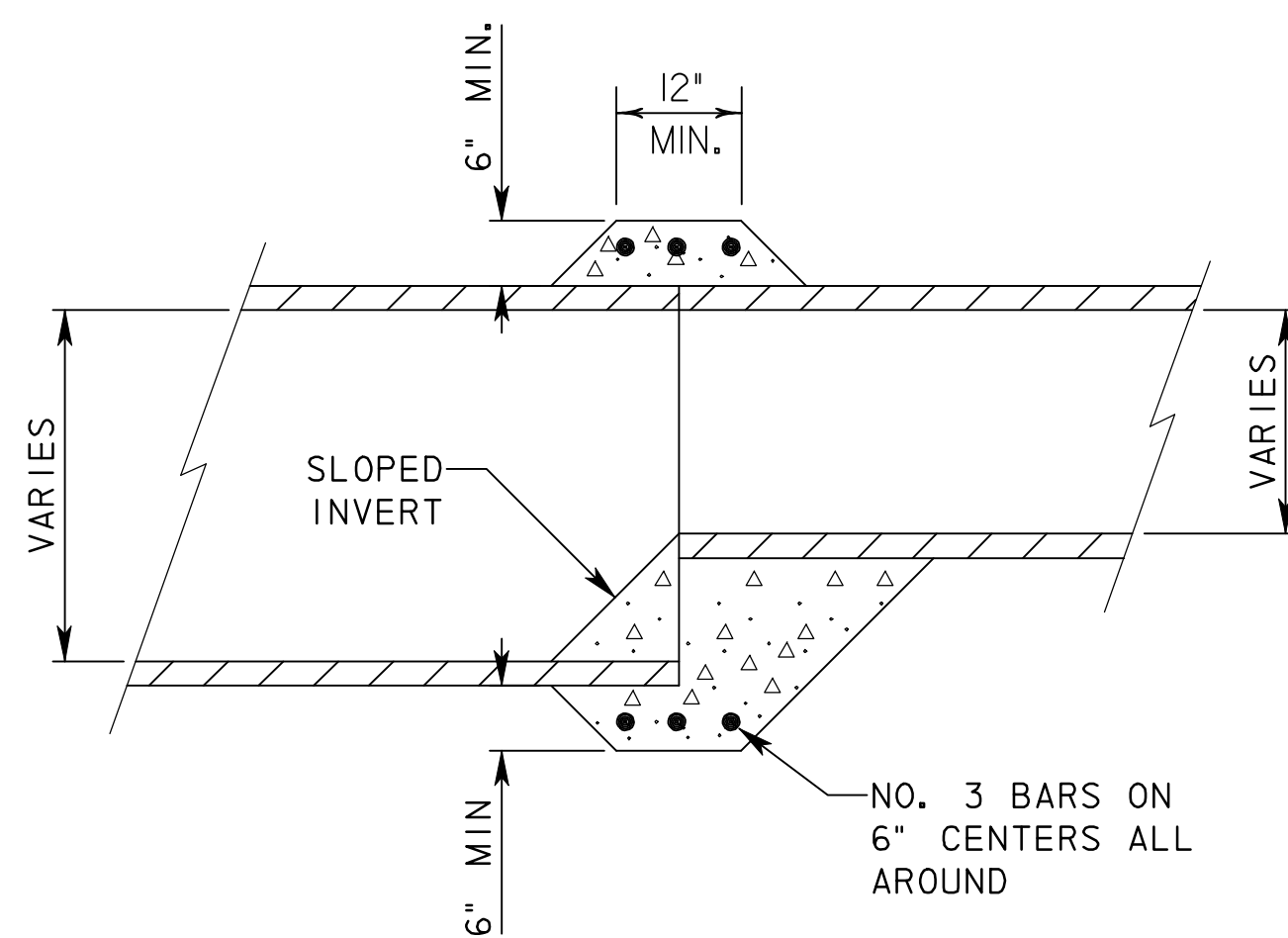
RAIL DETAIL AT CULVERT CURB

NTS



DETAIL "A"

NTS

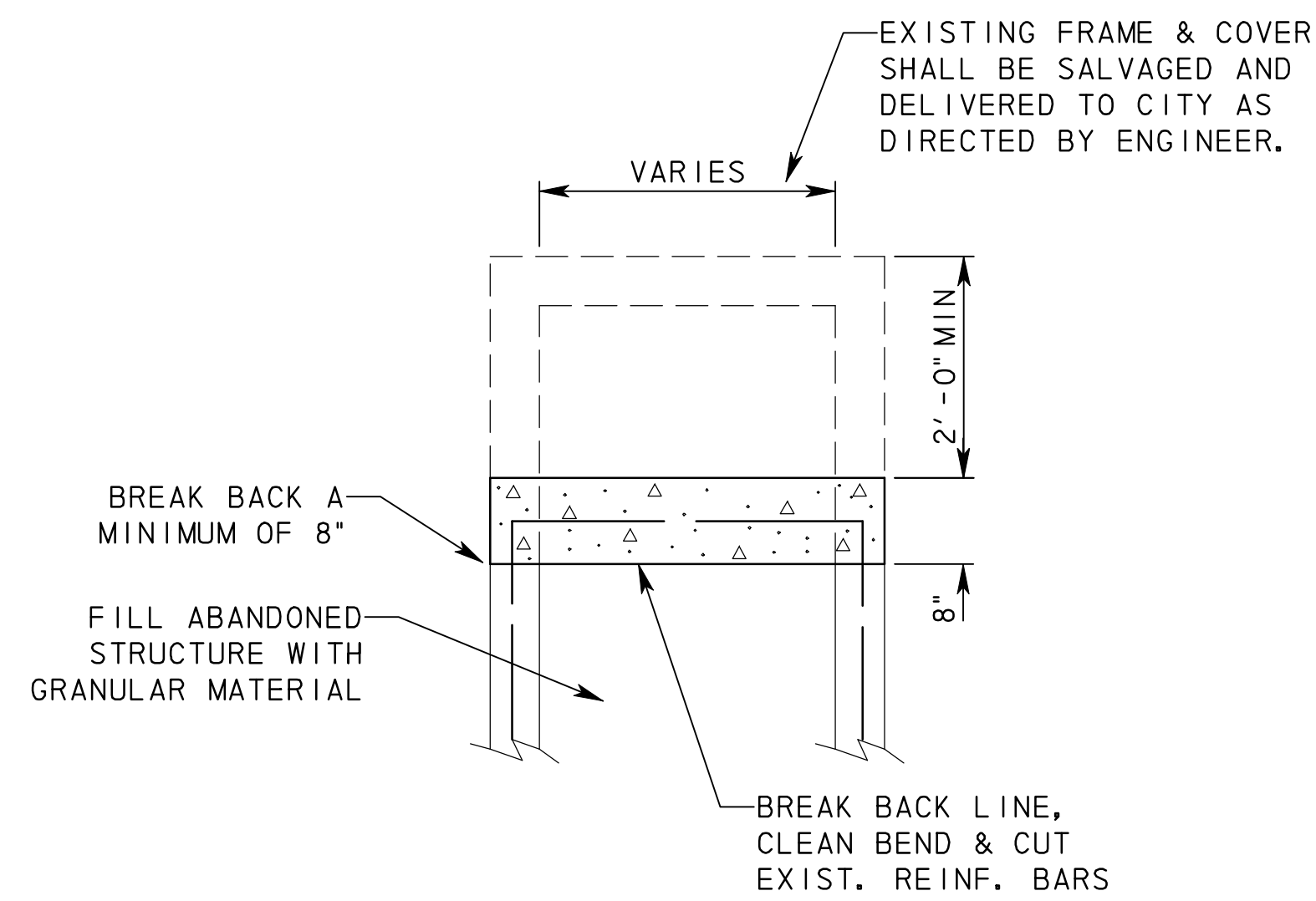


NOTES

- 1. CONCRETE FOR COLLAR WILL NOT BE PAID FOR DIRECTLY, BUT WILL BE CONSIDERED SUBSIDIARY TO THE VARIOUS OTHERS BIDS.
- 2. CONCRETE SHALL BE 5 SACK 3000 PSI

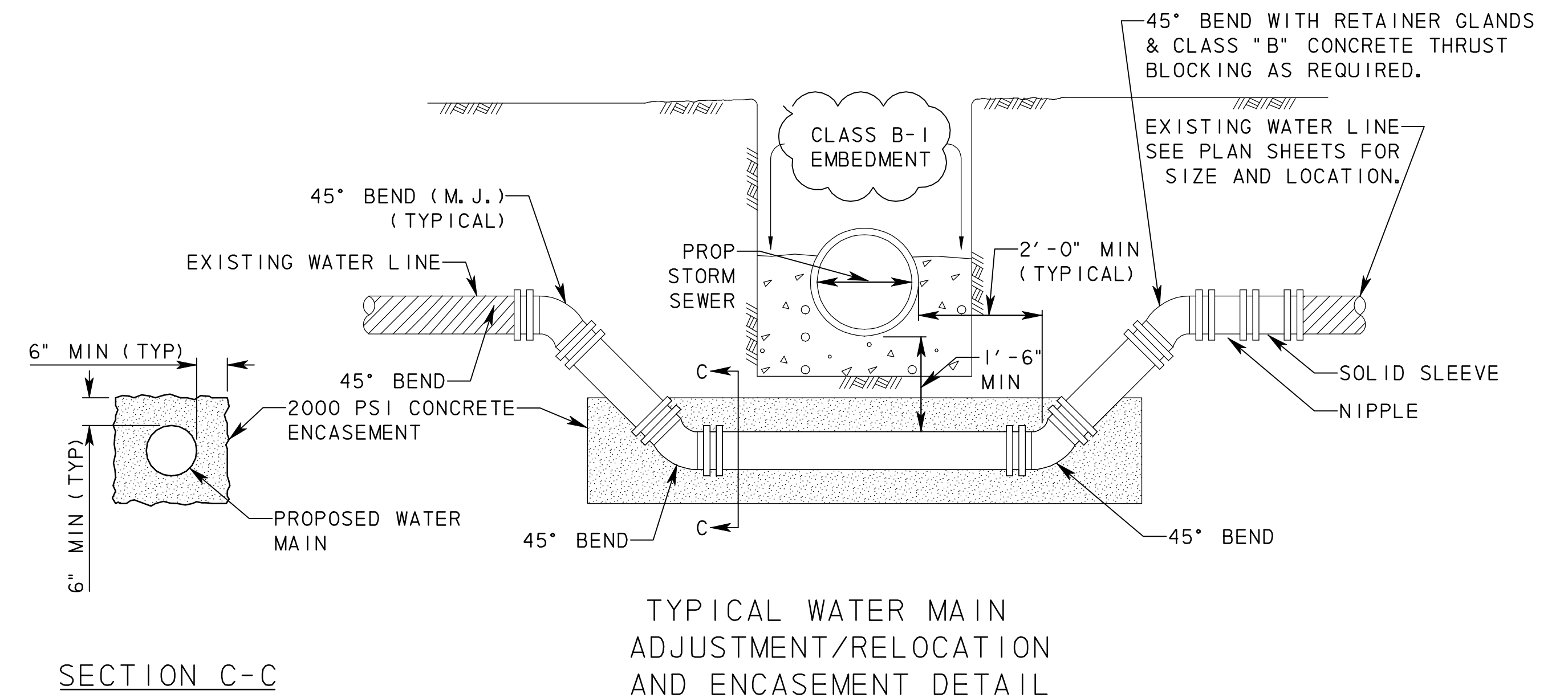
PIPE COLLAR DETAIL

NTS



INLET OR MANHOLE CAP DETAIL

NTS



TYPICAL WATER MAIN ADJUSTMENT/RELOCATION AND ENCASEMENT DETAIL

NTS

SECTION C-C

RECORD DRAWING

This drawing is a compilation of the original sealed engineering drawing and modifications by addenda, change orders and information furnished by the contractor. Information shown that was provided by the contractor and others not associated with the design engineer cannot be verified for accuracy or completeness. Original sealed drawing is on file at the office of AECOM USA Group, Inc., TBPE REG. NO. F-3082

ORIGINAL DRAWING SEALED & SIGNED BY

T.H. Gaertner, P.E.
TX NO. 37124

NO.	EMBEDMENT CLASS	THG	05/20/08
	REVISION	BY	DATE

City of Rockwall, Texas

205 BYPASS
PHASE 3

MISC. DRAINAGE DETAILS

TCB | AECOM
17300 DALLAS PARKWAY, SUITE 1010
DALLAS, TEXAS 75248

Unit	PW-DAL-FW	Scale	Horz: AS SHOWN Vert: AS SHOWN	Date	11/23/2009
Designed	THG	Checked	TCB	Project No.	60004153
Drawn	FG	Approved	TCB	Sheet	100 of 215