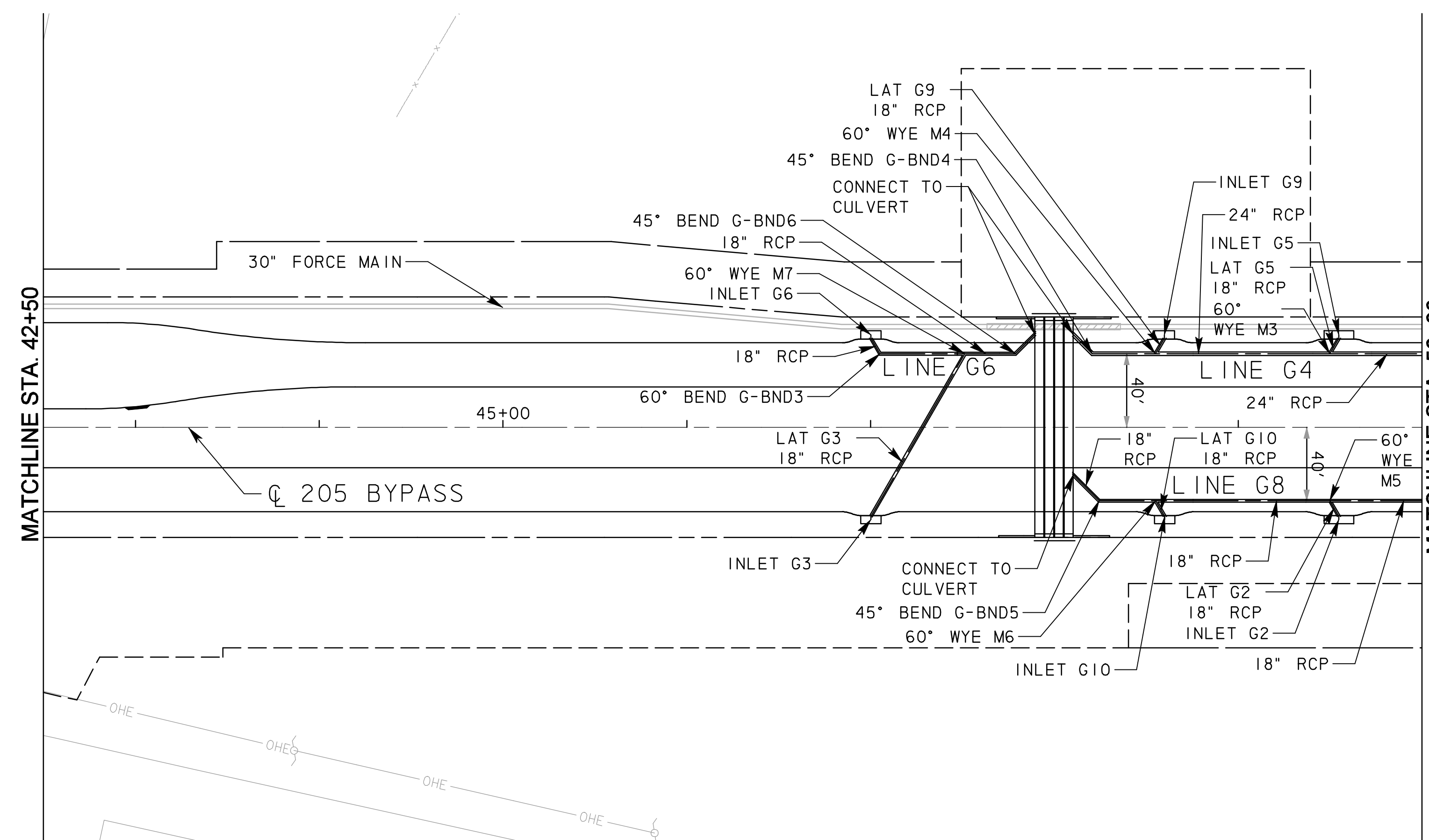


LEGEND

- PROPOSED ROW
- ===== PROPOSED STORM DRAIN
- DRAINAGE EASEMENT
- TEMP. CONST. EASEMENT

NOTES:

- I. SEE STORM DRAIN PROFILES FOR LOCATION OF INLETS, MANHOLES, WYE CONNECTIONS, AND BENDS.

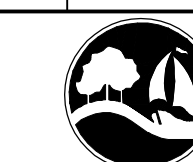


RECORD DRAWING

This drawing is a compilation of the original sealed engineering drawing and modifications by addenda, change orders and information furnished by the contractor. Information shown that was provided by the contractor and others not associated with the design engineer cannot be verified for accuracy or completeness. Original sealed drawing is on file at the office of AECOM USA Group, Inc., TBPE REG. NO. F-3082

ORIGINAL DRAWING
SEALED & SIGNED BY
T.H. Gaertner, P.E.
TX NO. 37124

NO.	REVISION	BY	DATE



City of Rockwall, Texas

**205 BYPASS
PHASE 3**

**STORM DRAIN PLAN
STA. 42+50 TO STA. 50+00**

TCB | AECOM
TCB INC.
WWW.TCB.AECOM.COM
17300 DALLAS PARKWAY, SUITE 1010
DALLAS, TEXAS 75248

Unit	PW-DAL-FW	Scale	Horz: AS SHOWN Vert: AS SHOWN	Date	11/23/2009
Designed	SDB	Checked	TCB	Project No.	60004153
Drawn	FG	Approved	TCB	Sheet	85 of 215

\\usdel11p001\pww4328\60004153-205bypass\cadd\sheet\phase 3 - 1 30 to station sh 66\record drawing 10_7_09_0855storm.p lan-05.dgn
 11/23/2009