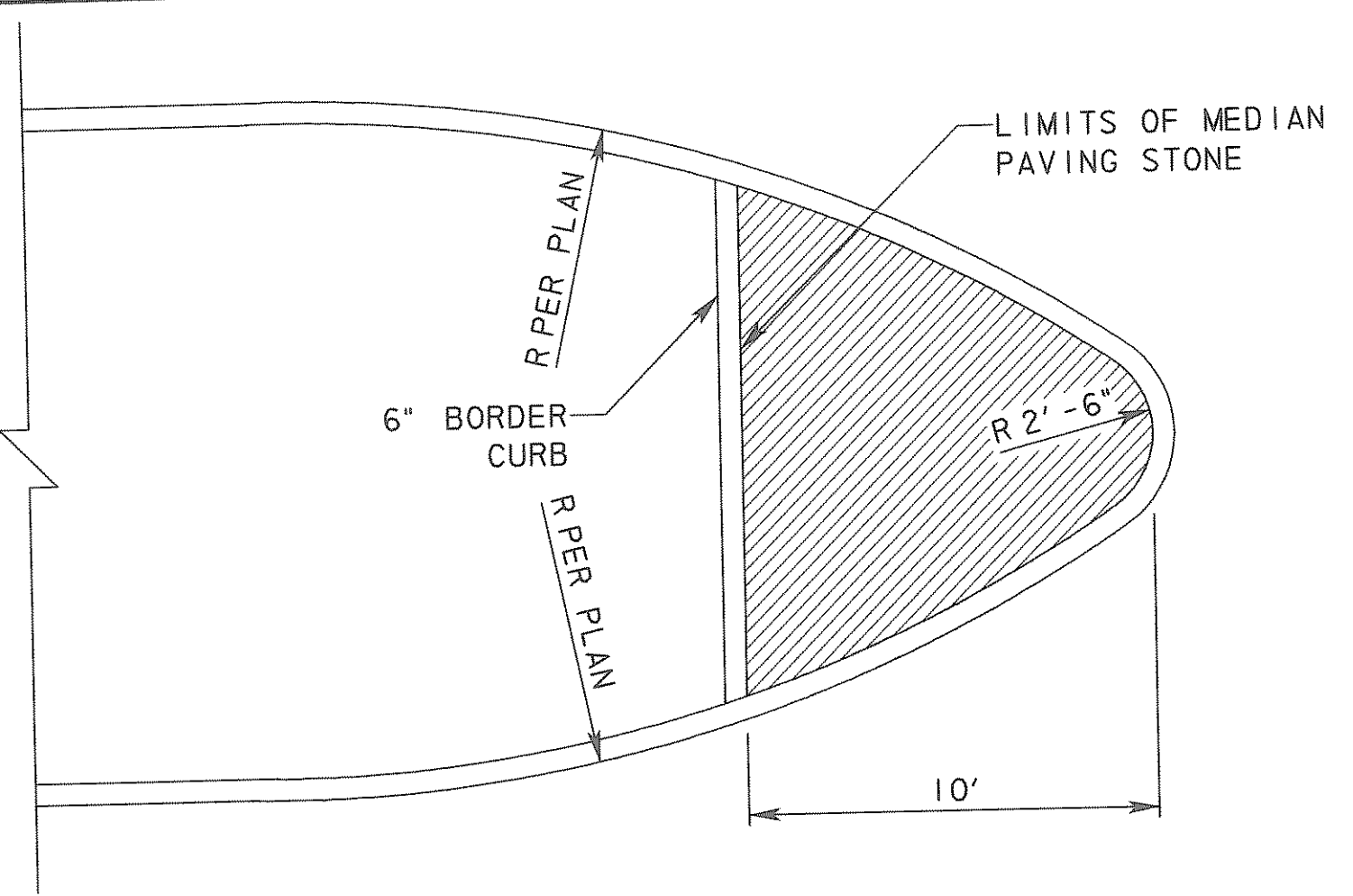
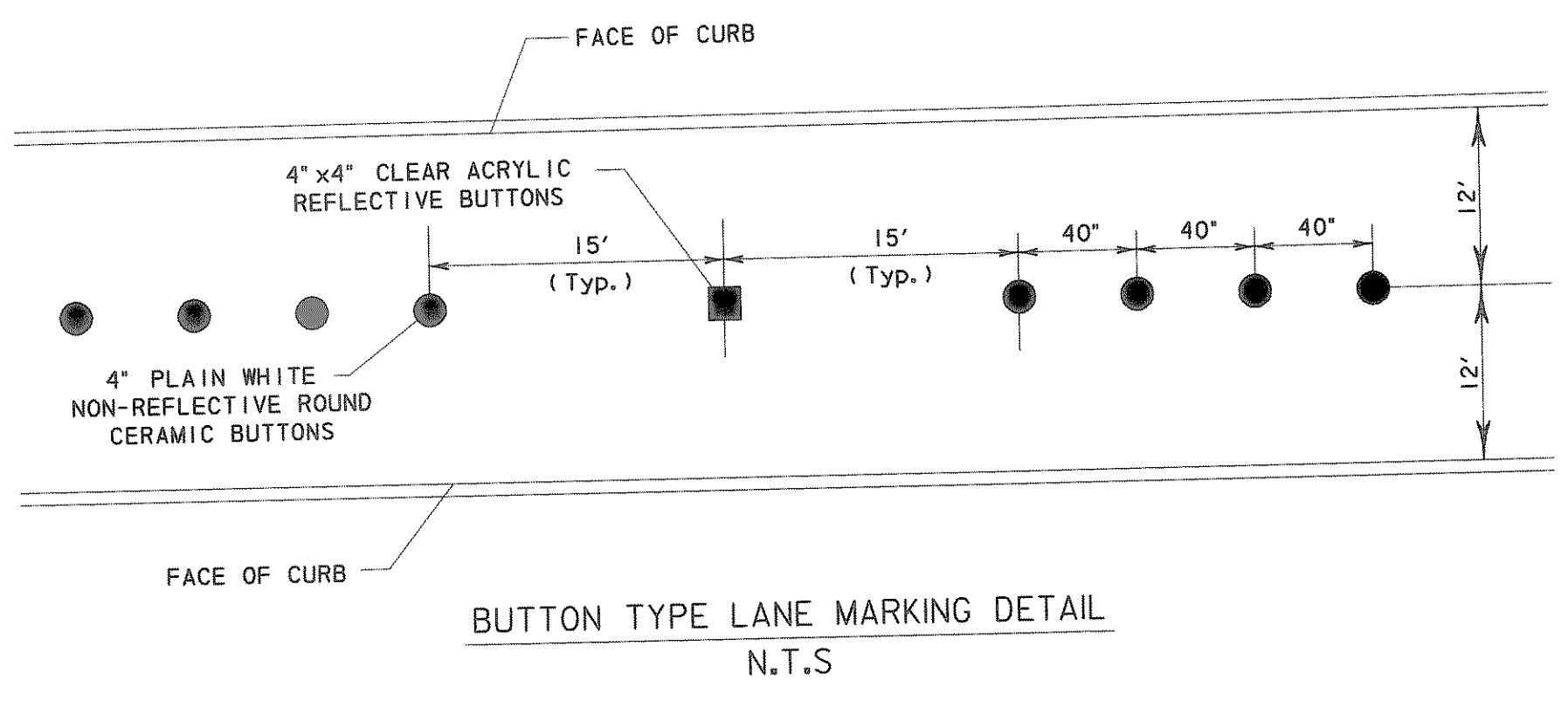


TYPICAL CROSS SECTION

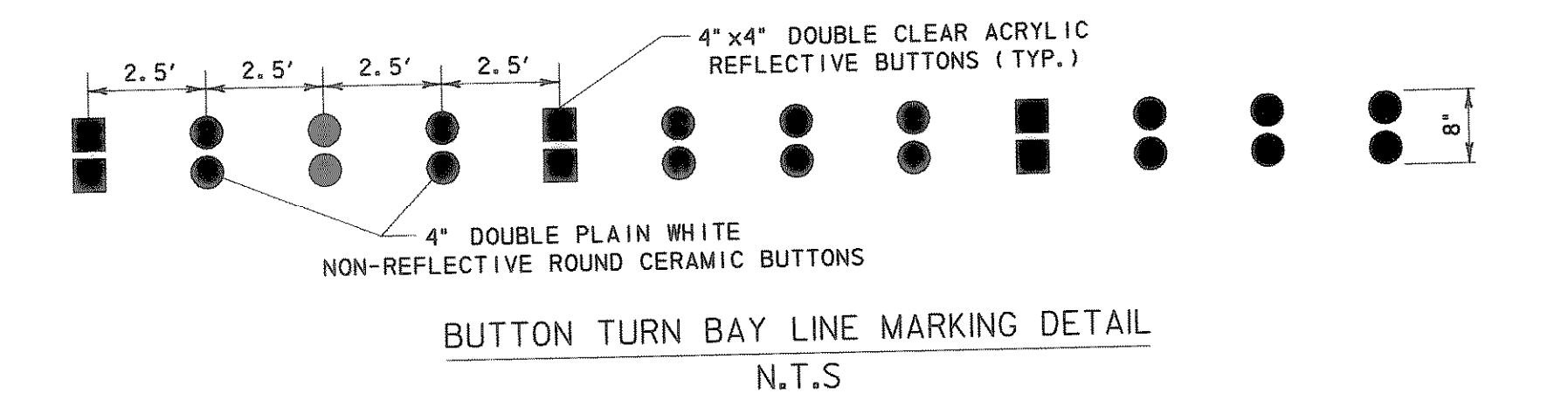


DETAIL OF NOSE FOR MEDIAN ISLAND

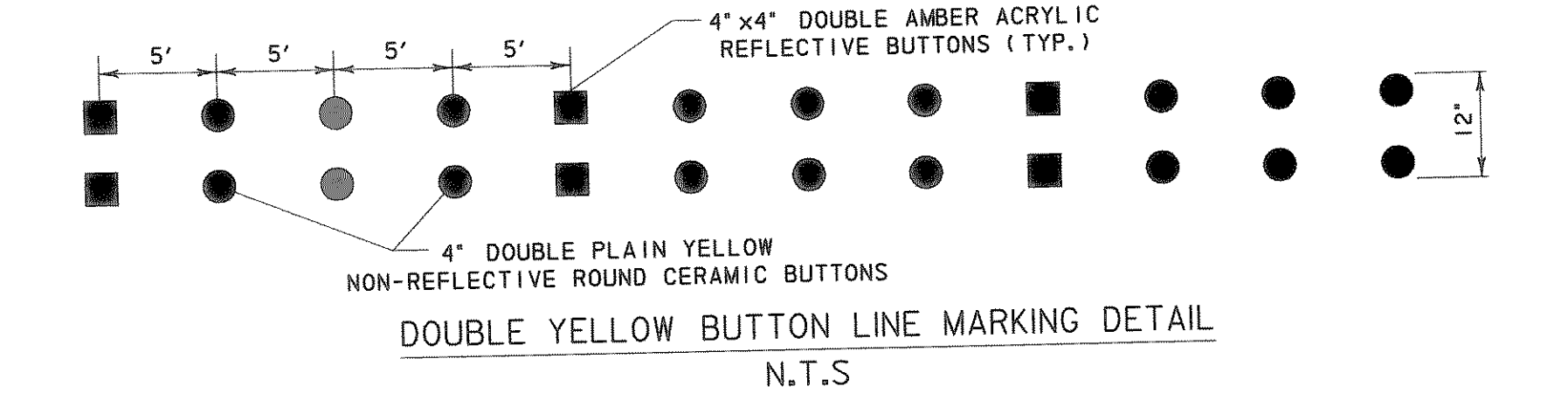
MEDIAN PAVING STONE DETAIL
 PAVING STONE SHALL BE INTERLOCKING CONCRETE LANDSCAPE PAVERS PER TxDOT SPECIFICATIONS ITEM 528. COLOR AND PATTERN TO BE SELECTED BY OWNER.



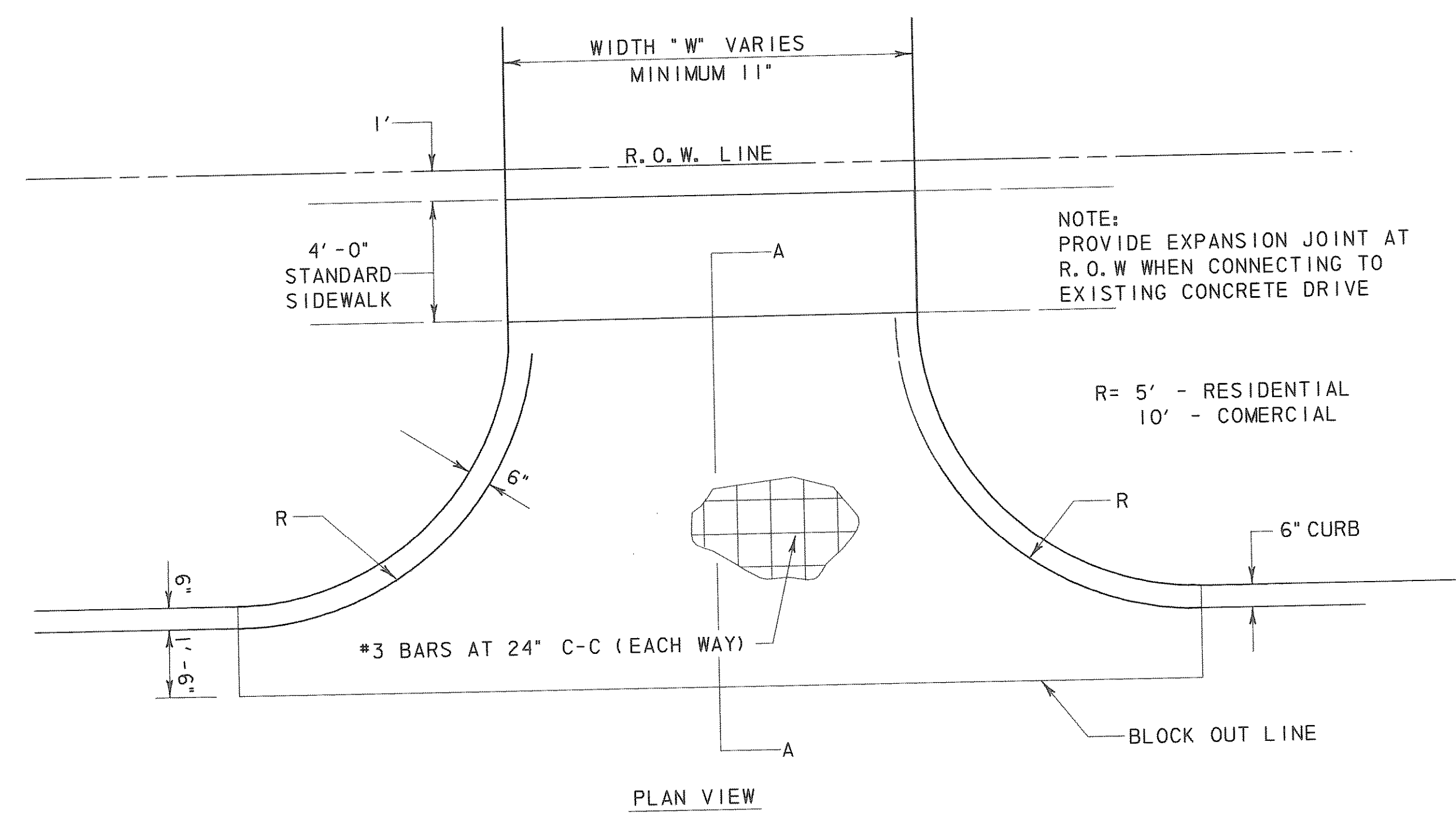
BUTTON TYPE LANE MARKING DETAIL
N.T.S



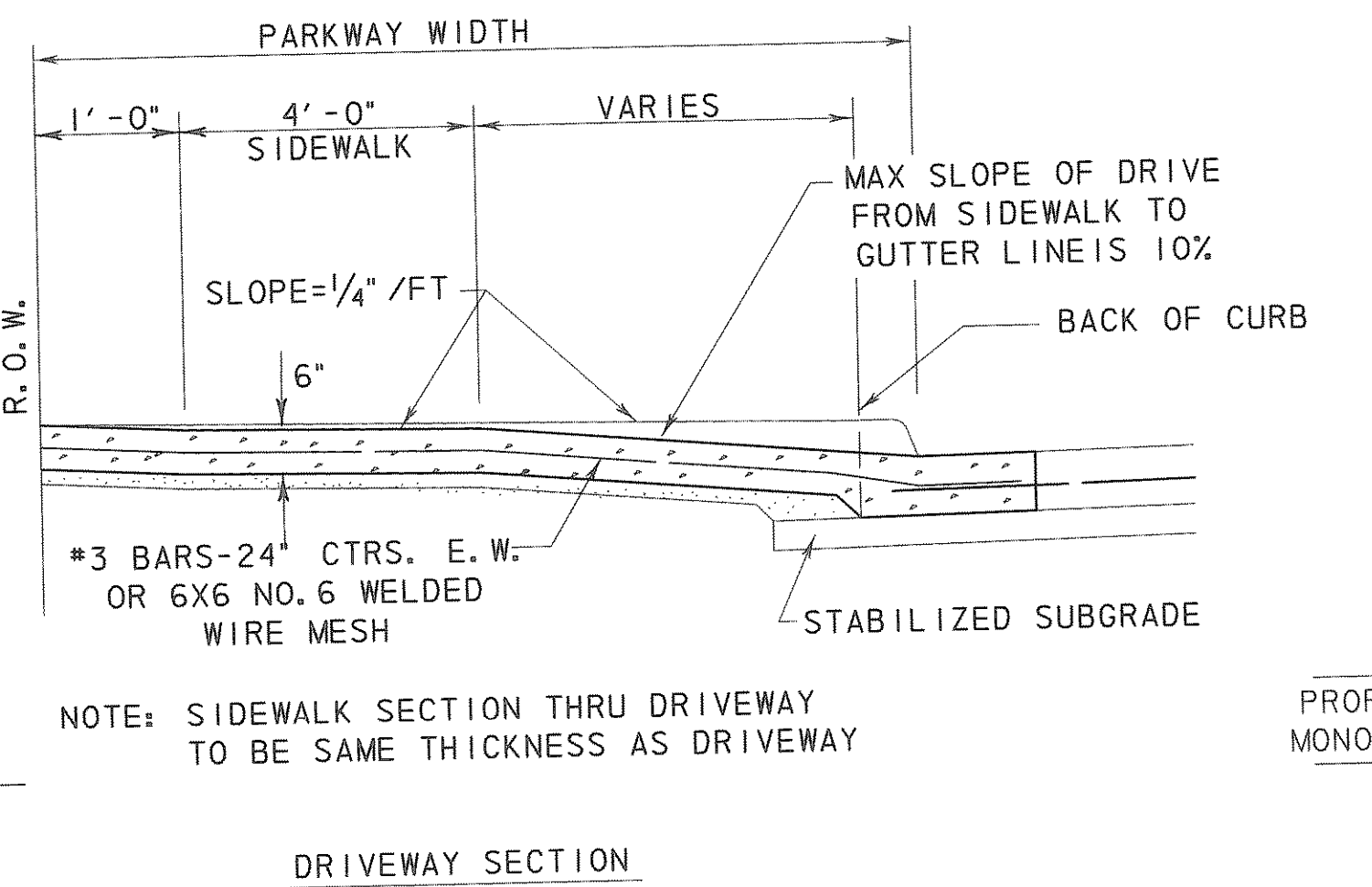
BUTTON TURN BAY LINE MARKING DETAIL
N.T.S



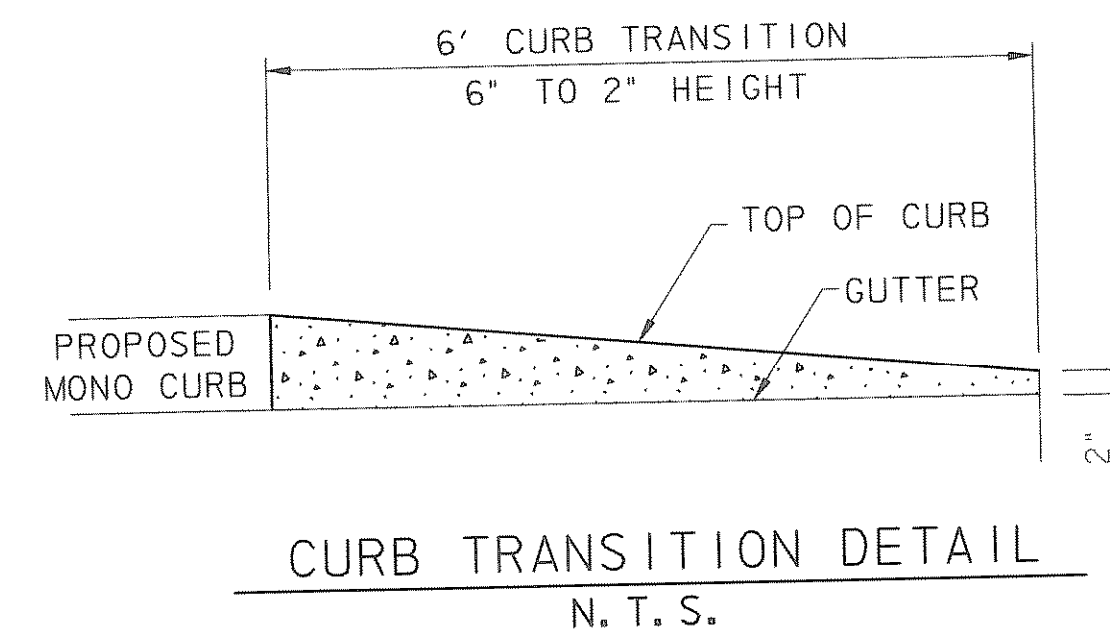
DOUBLE YELLOW BUTTON LINE MARKING DETAIL
N.T.S



DRIVEWAY DETAIL
N.T.S



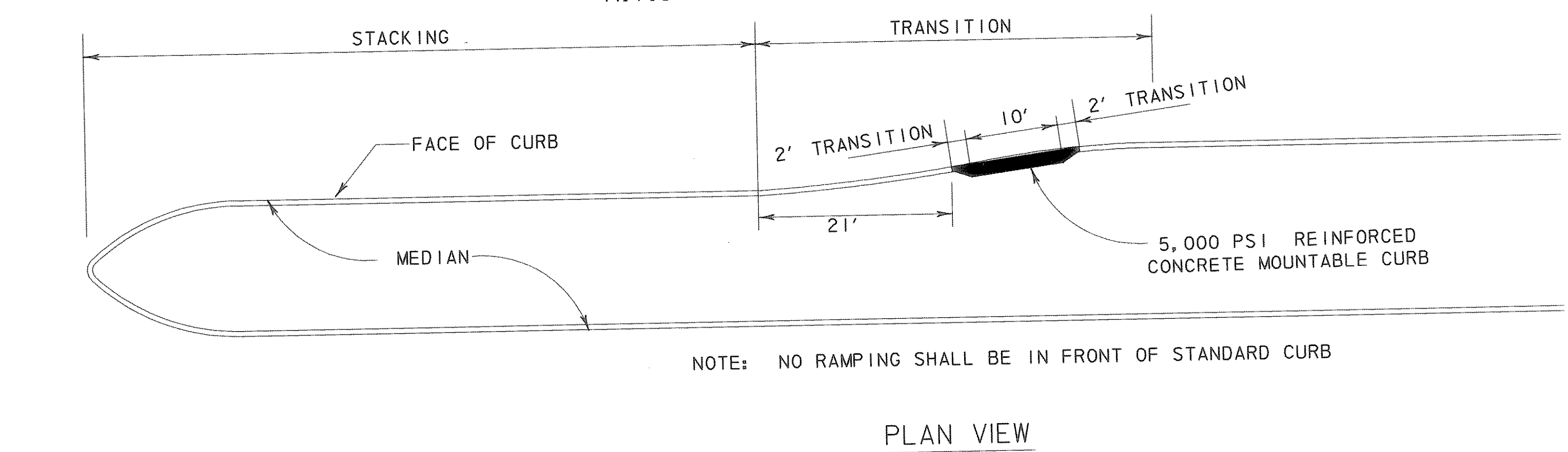
DRIVEWAY SECTION



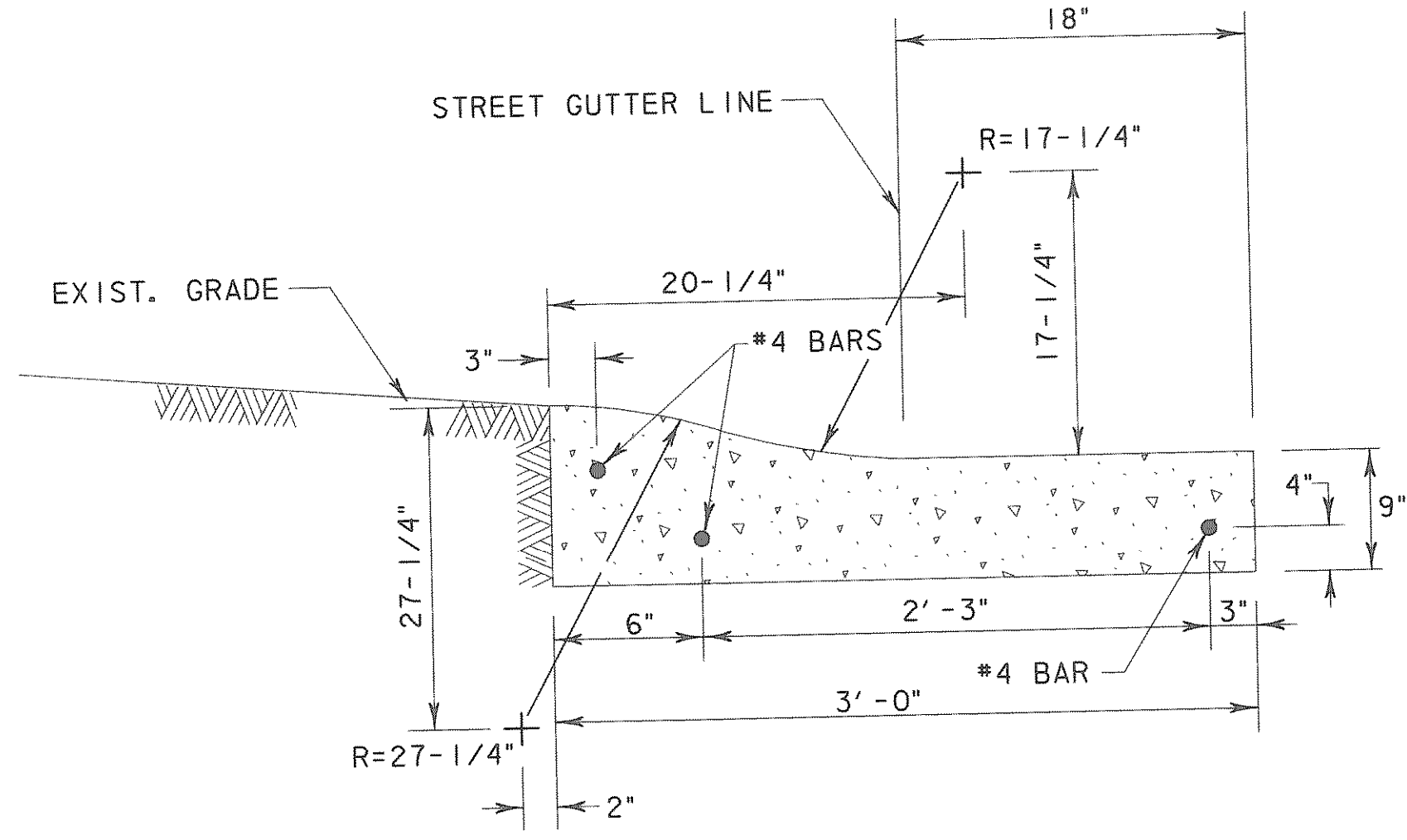
CURB TRANSITION DETAIL
N. T. S.

RECORD DRAWING
 This drawing is a compilation of the original sealed engineering drawing and modifications by addenda, change orders and information furnished by the contractor. Information shown that was provided by the contractor and others not associated with the design engineer cannot be verified for accuracy or completeness. Original sealed drawing is on file at the office of AECOM USA Group, Inc., TBPE REG. NO. F-3082

ORIGINAL DRAWING
 SEALED & SIGNED BY
 T.H. Gaertner, P.E.
 TX NO. 37124



LANDSCAPE MAINTENANCE RAMP
N.T.S



MOUNTABLE CURB SECTION

NO.				REVISION				BY		DATE	
205 BYPASS PHASE 3											
MISCELLANEOUS ROADWAY DETAILS											
2 OF 2											
TCB				AECOM				<small>TCB INC. WWW.TCB.AECOM.COM 12300 DALLAS PARKWAY, SUITE 1010 DALLAS, TEXAS 75248</small>			
Unit	PW-DAL-FW	Scale	Horz: AS SHOWN	Vert: AS SHOWN	Date	11/16/2009					
Designed	THG	Checked	TCB		Project No.	60004153					
Drawn	FG	Approved	TCB		Sheet	56 of 215					

\\usda11fp001\pww\4328\60004153-205Bypass\CADD\Sheets\Phase 3 - 11/16/2009 to Station SH 66\Record Drawing 10_7_09\056Pn3 MISC-RoadwayDetail1.s02.dgn