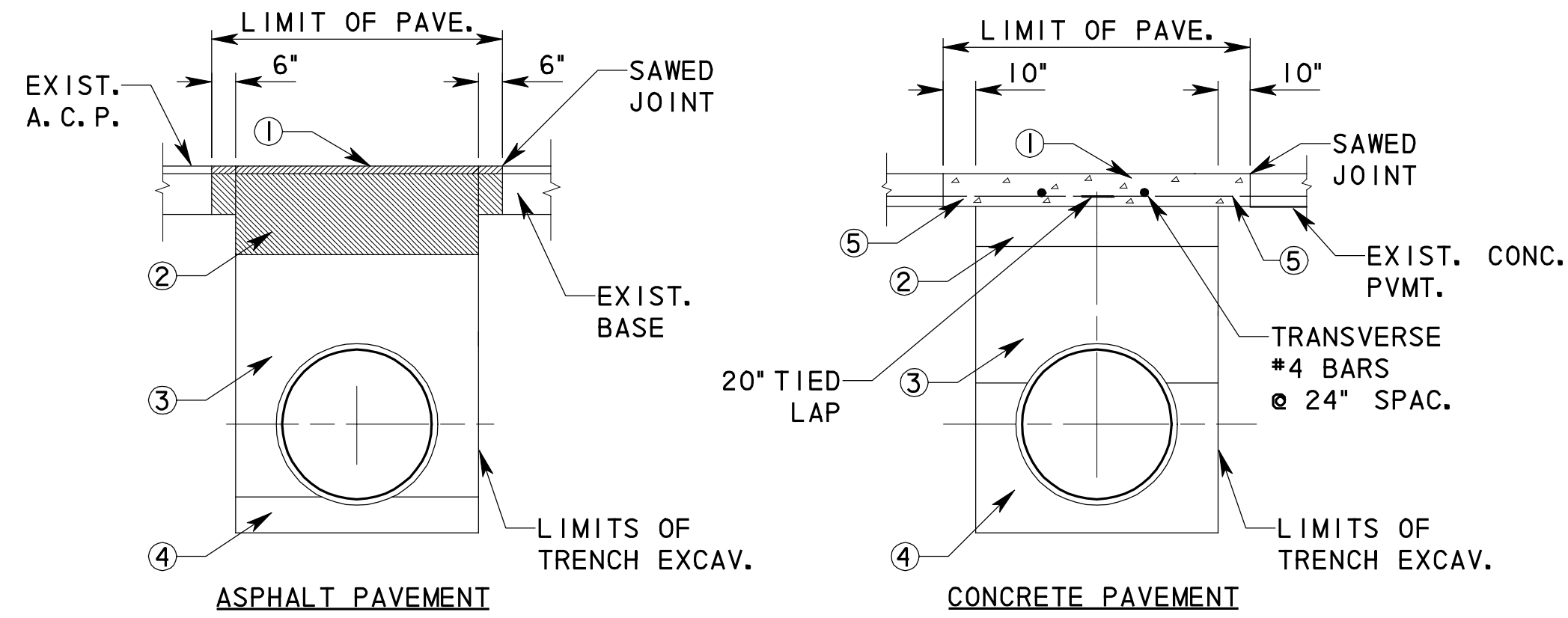
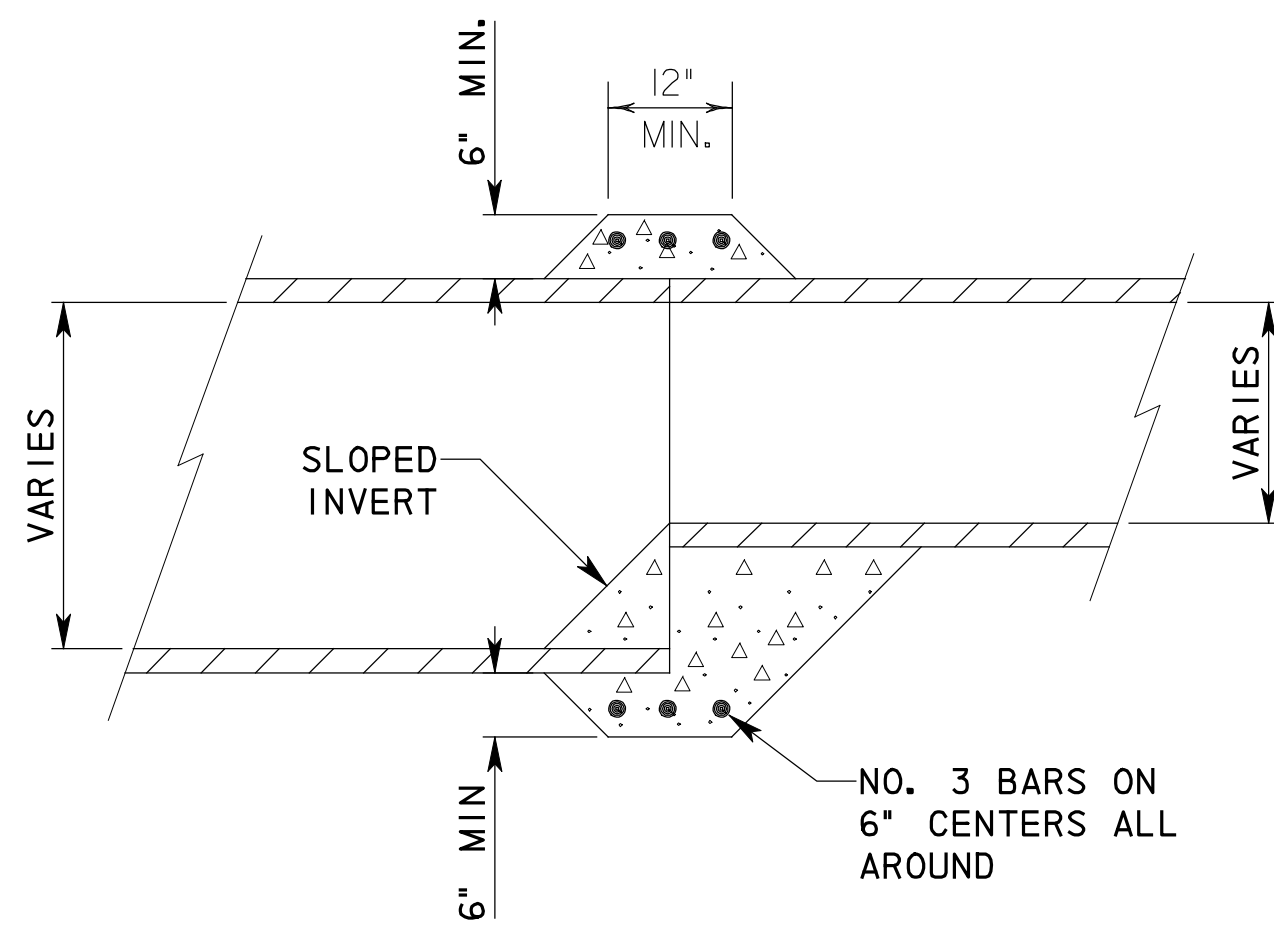
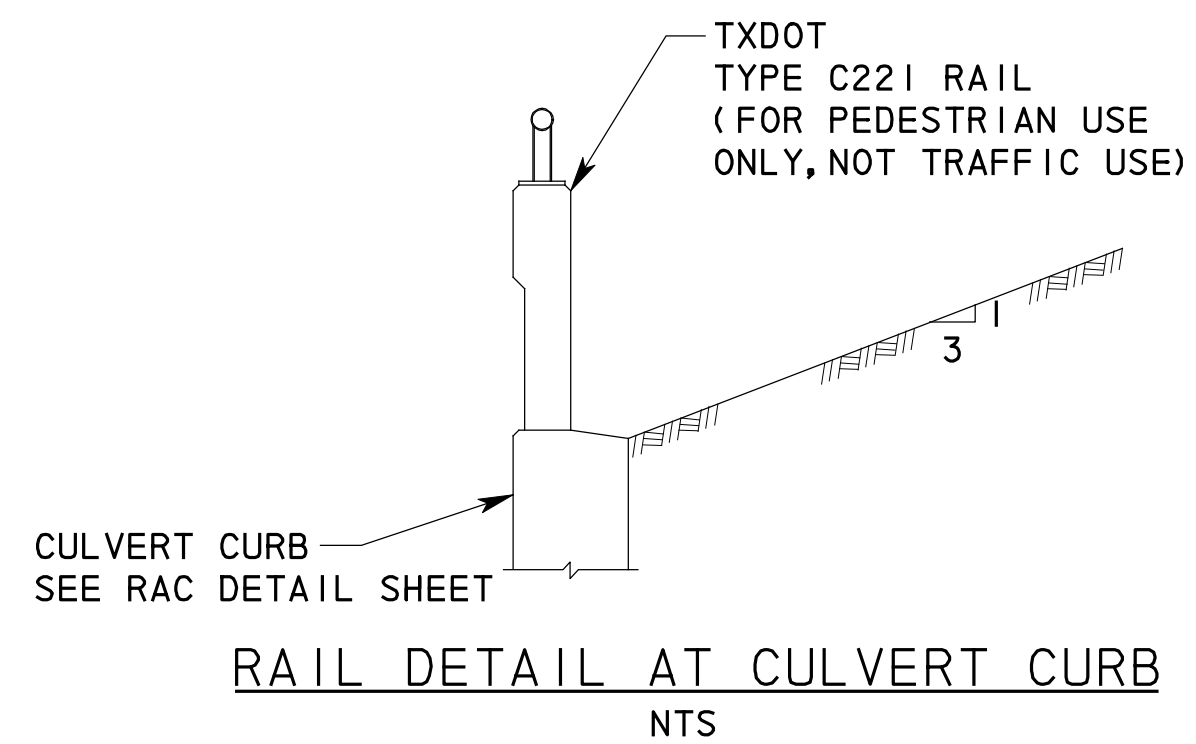
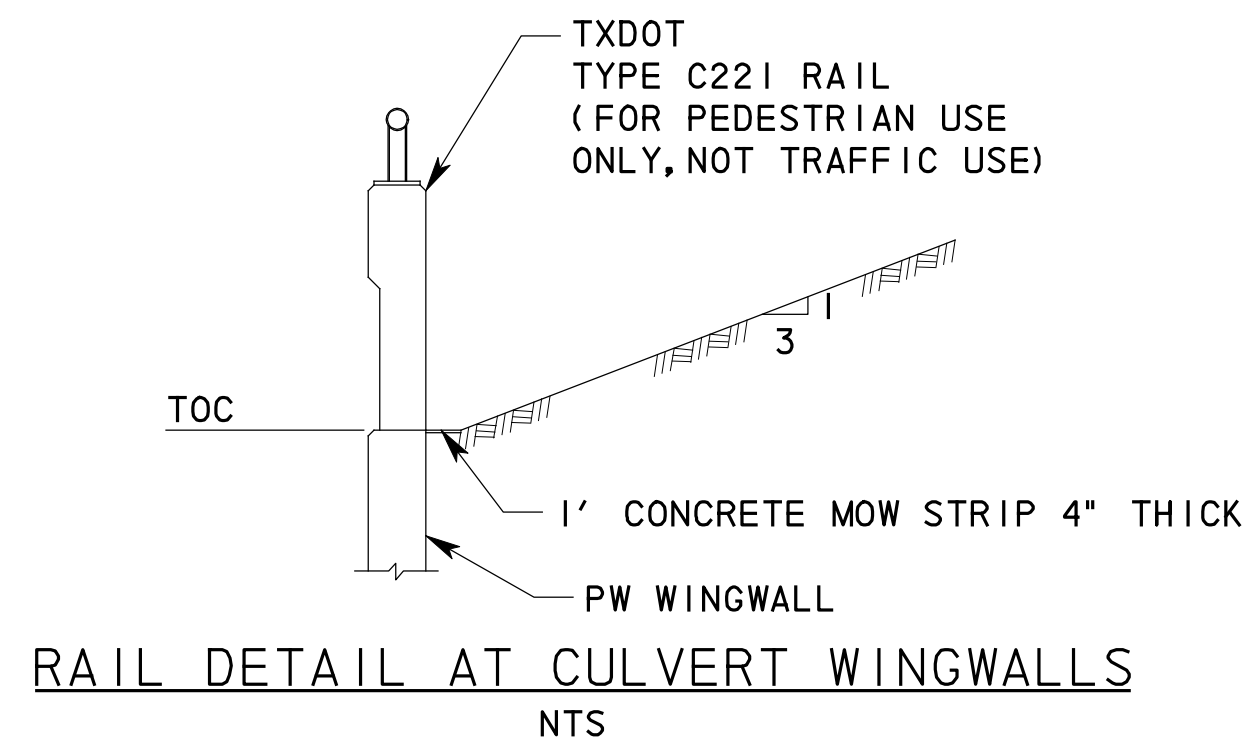


- ① 2" TYPE "D" HMAC
- ② 10" TYPE "B" HMAC BASE (USE 6" THICK FOR TEMP. PVMT. PATCH WITH NO TY. "D" COURSE)
- ③ MECHANICALLY TAMPED NATIVE MATERIAL, MAXIMUM LIFT OF 6", COMPACTED TO 95% STD. PROCTOR DENSITY
- ④ BEDDING: SEE NOTE 1
- ⑤ CLASS "C" CONC. PVMT. (MATCH EXIST. PVMT. DEPTH)
- ⑥ 8" FLEXIBLE BASE MATERIAL MECHANICALLY TAMPED NATIVE MATERIAL, MAXIMUM LIFT OF 6", COMPACTED TO 95% STD. PROCTOR DENSITY
- ⑦ BEDDING: SEE NOTE 1
- ⑧ 8" WELDED LAP

NOTE 1: BEDDING FOR STORM DRAINS IS CLASS B-1.
 BEDDING FOR PVC WATER PIPE IS CLASS B-3.
 BEDDING FOR PVC SANITARY SEWER IS CLASS B-2.

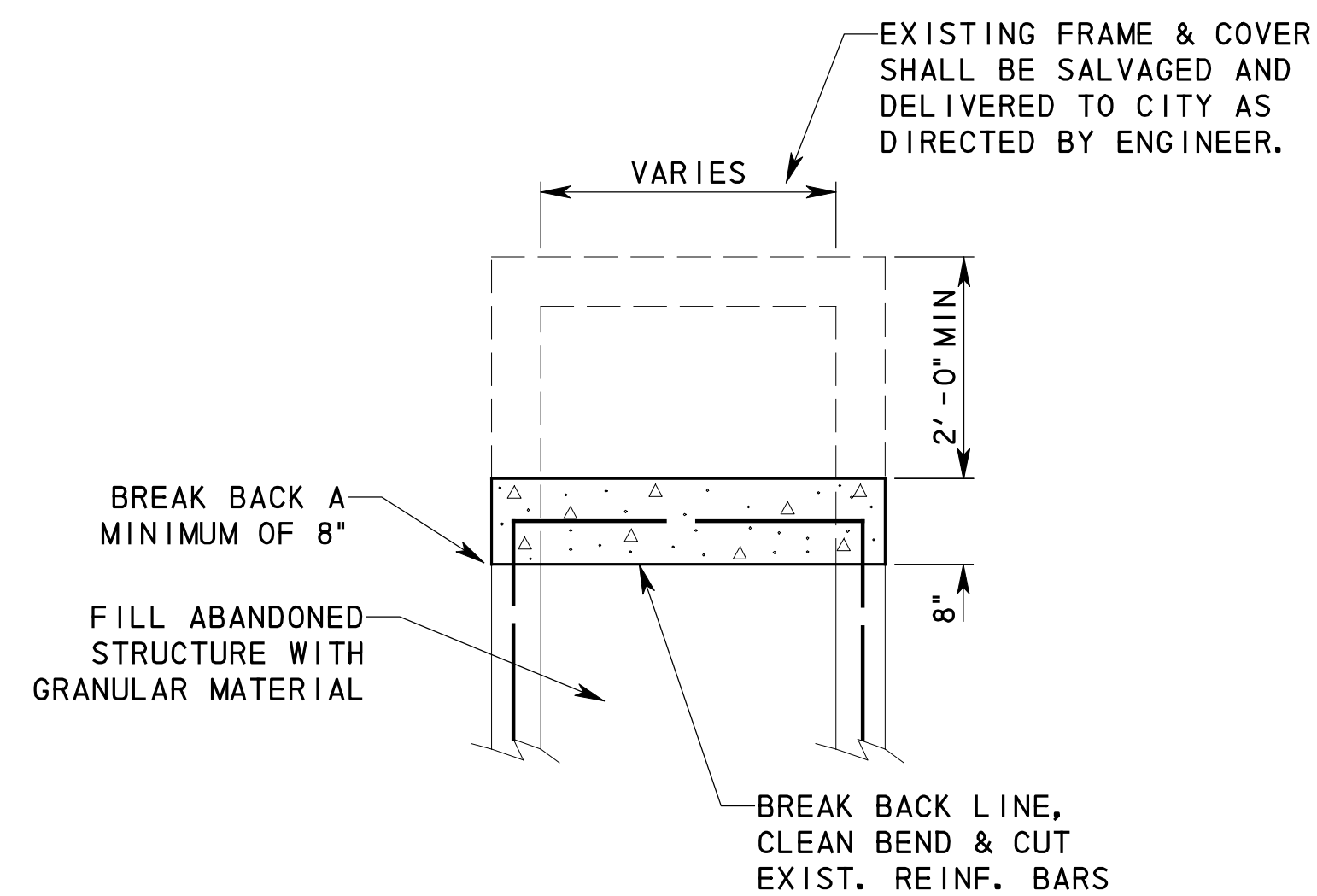


CUT AND RESTORE PAVEMENT DETAILS

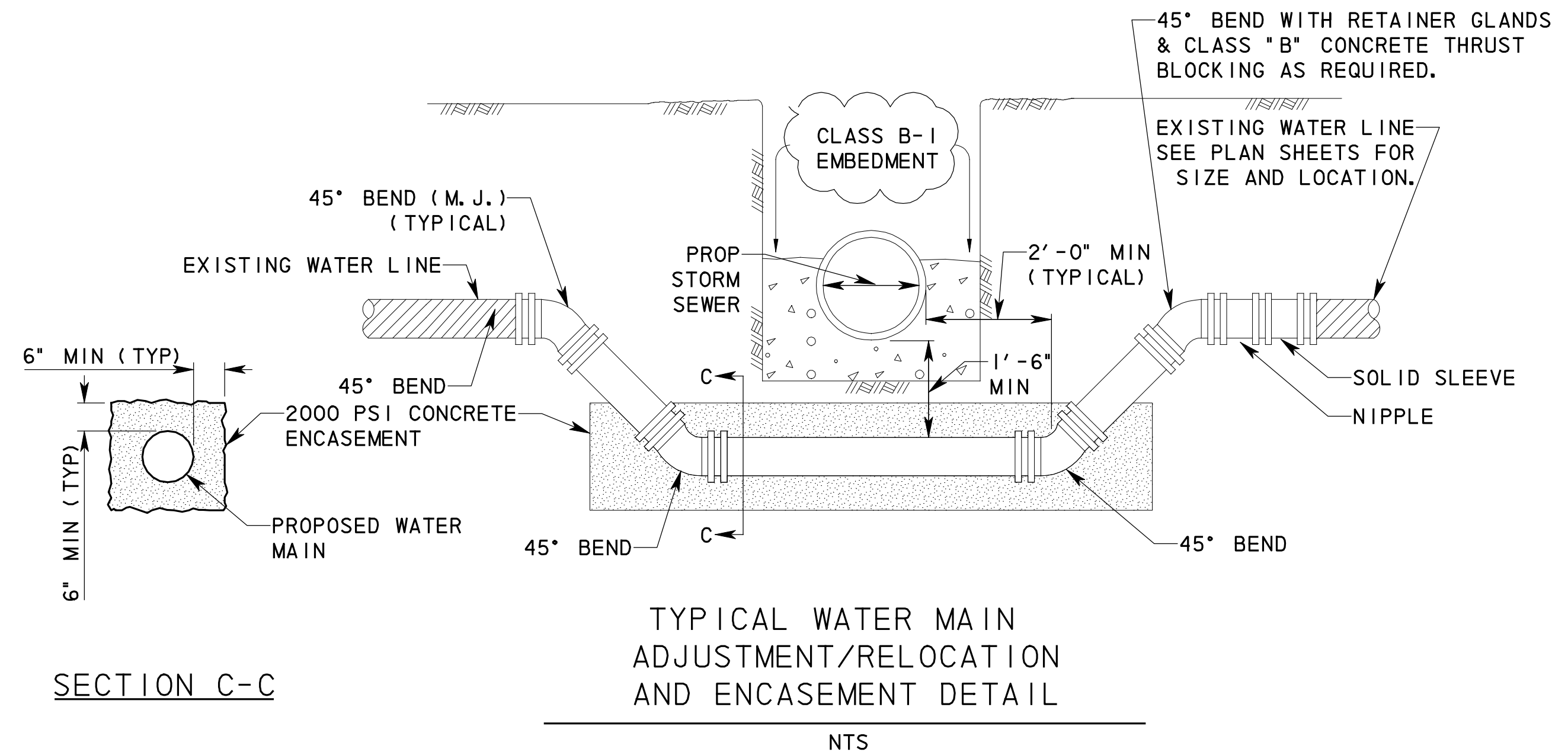


- NOTES
- CONCRETE FOR COLLAR WILL NOT BE PAID FOR DIRECTLY, BUT WILL BE CONSIDERED SUBSIDIARY TO THE VARIOUS OTHERS BIDS.
 - CONCRETE SHALL BE 5 SACK 3000 PSI

PIPE COLLAR DETAIL
 NTS



INLET OR MANHOLE CAP DETAIL
 NTS



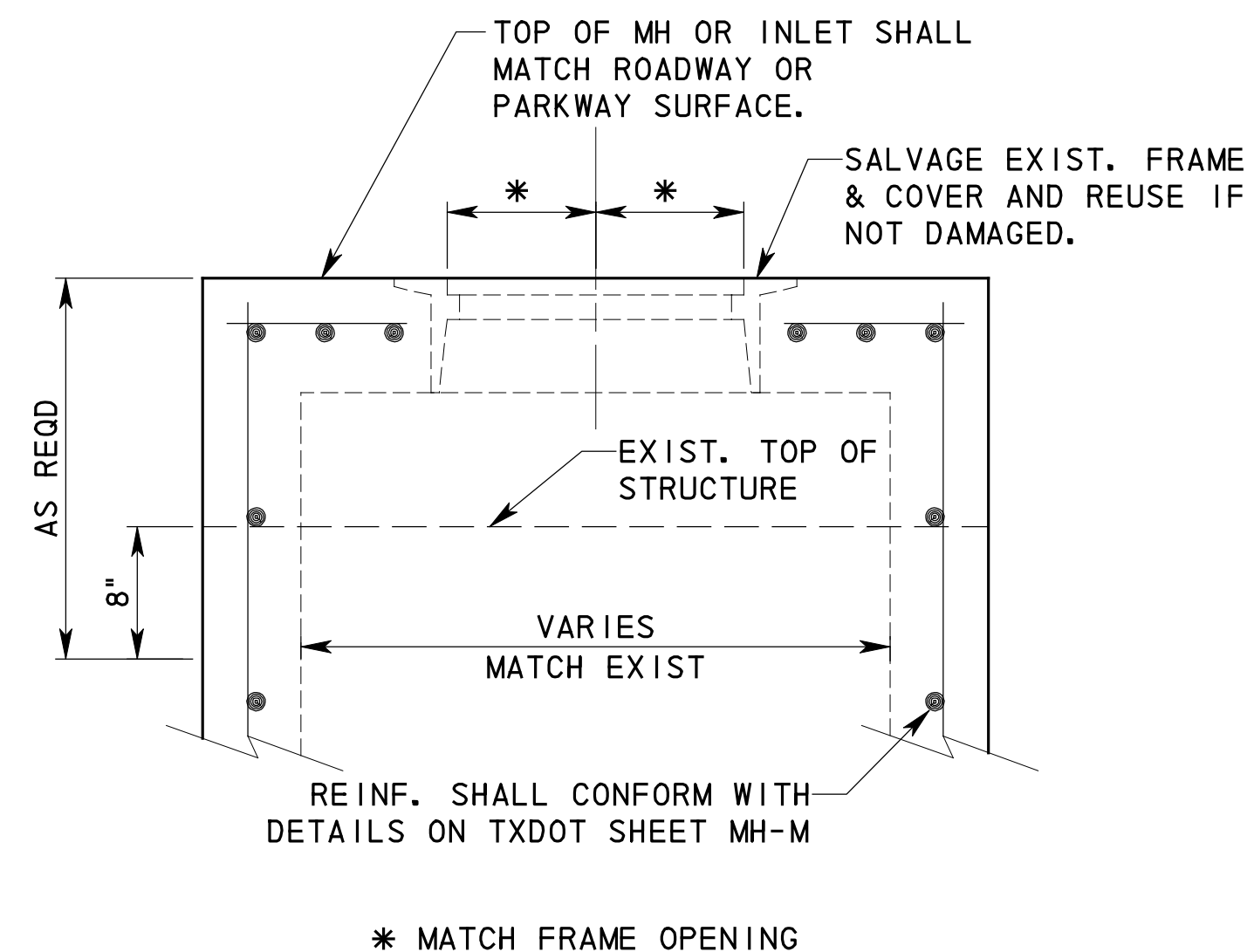
SECTION C-C

NTS

RECORD DRAWING

This drawing is a compilation of the original sealed engineering drawing and modifications by addenda, change orders and information furnished by the contractor. Information shown that was provided by the contractor and others not associated with the design engineer cannot be verified for accuracy or completeness. Original sealed drawing is on file at the office of AECOM USA Group, Inc., TBPE REG. NO. F-3082

ORIGINAL DRAWING SEALED & SIGNED BY
 T.H. Gaertner, P.E.
 TX NO. 37124



INLET AND MANHOLE ADJUSTING DETAIL
 NTS

NO.	REVISION	BY	DATE
205 BYPASS PHASE 2			
MISC. DRAINAGE DETAILS			
TCB AECOM		<small>TCB INC. WWW.TCB.AECOM.COM 17300 DALLAS PARKWAY, SUITE 1010 DALLAS, TEXAS 75248</small>	
Unit	PW-DAL-FW	Scale	AS SHOWN
Designed	THG	Checked	TCB
Drawn	FG	Approved	TCB
Date	11/23/2009	Project No.	60004153
Sheet	57	of	142