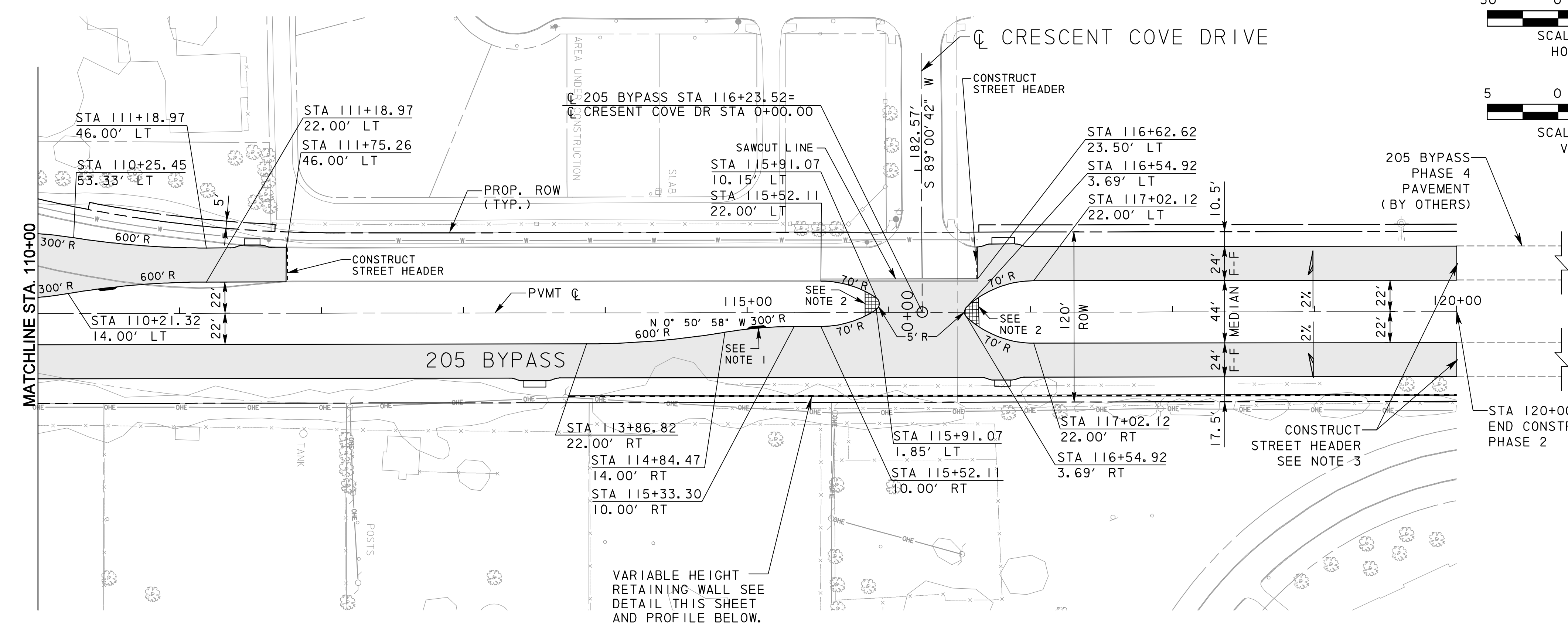
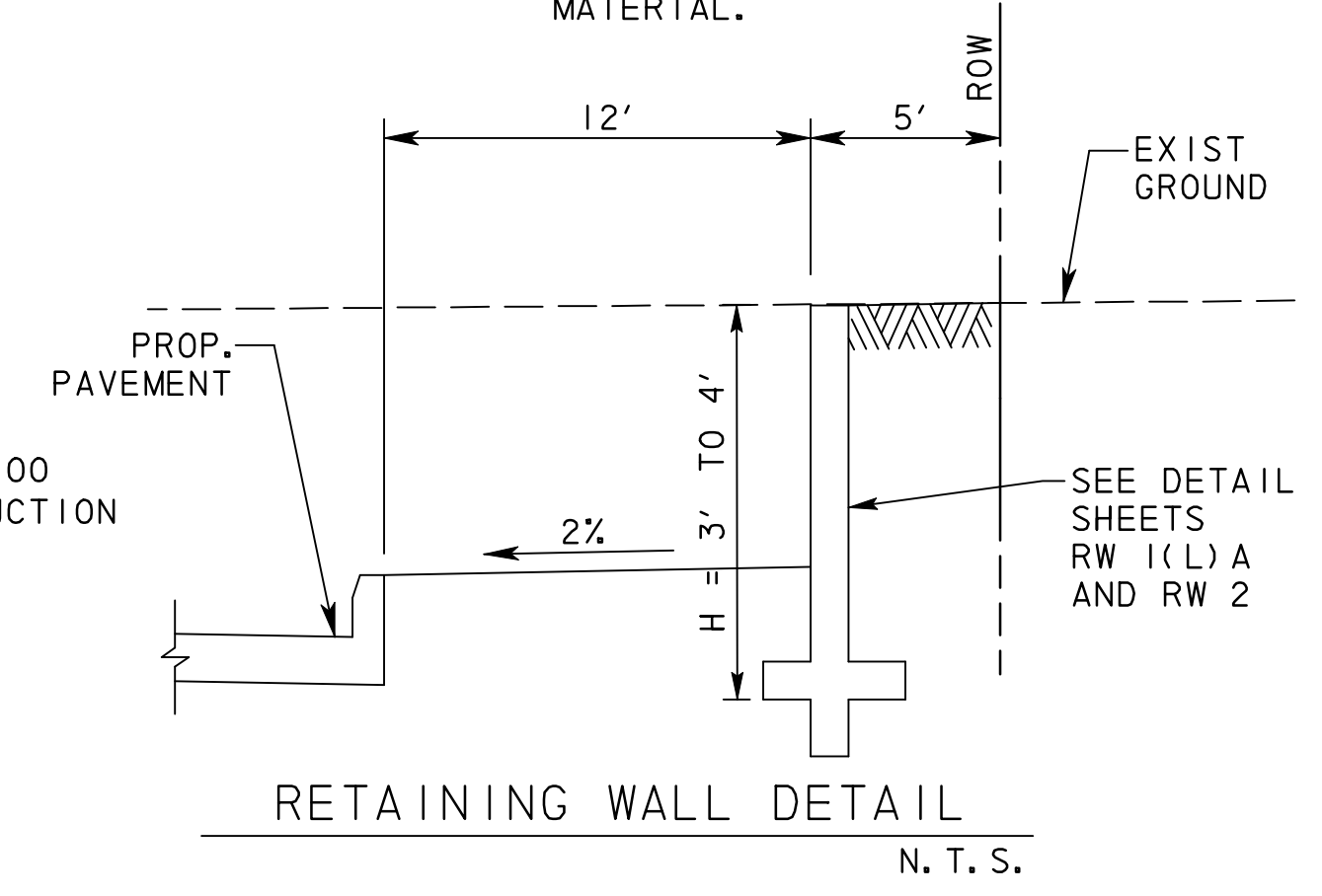


- NOTES:
1. CONSTRUCT LANDSCAPE MAINTENANCE RAMP. SEE MISCELLANEOUS ROADWAY DETAILS SHEET 2 OF 2.
 2. CONSTRUCT BRICK PAVERS. SEE MISCELLANEOUS ROADWAY DETAILS SHEET 2 OF 2.
 3. IF 205 BYPASS PHASE 4 PAVMT. IS ALREADY IN PLACE, USE THEIR STREET HEADER AND PROVIDE AND INSTALL THE EXPANSION JOINT MATERIAL.



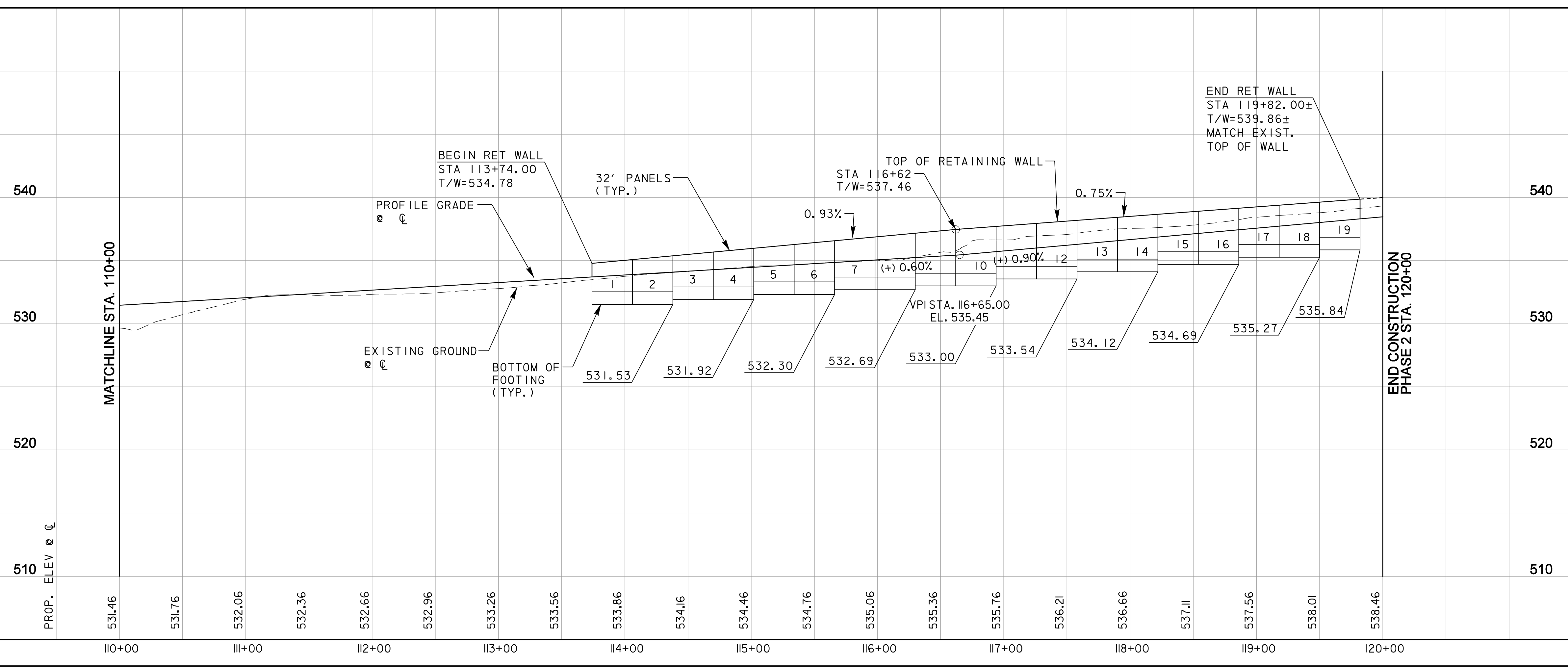
VARIABLE HEIGHT RETAINING WALL SEE DETAIL THIS SHEET AND PROFILE BELOW.

LEGEND

- RIGHT OF WAY
- - - TEMPORARY SLOPE EASEMENT
- - - DRAINAGE EASEMENT
- ▒ CONCRETE PAVEMENT
- ▒ HMAC PAVEMENT

RECORD DRAWING
 This drawing is a compilation of the original sealed engineering drawing and modifications by addenda, change orders and information furnished by the contractor. Information shown that was provided by the contractor and others not associated with the design engineer cannot be verified for accuracy or completeness. Original sealed drawing is on file at the office of AECOM USA Group, Inc., TBPE REG. NO. F-3082

ORIGINAL DRAWING SEALED & SIGNED BY
 T.H. Gaertner, P.E.
 TX NO. 37124



NO.	REVISION	BY	DATE
1	REVISED RETAINING WALL INFORMATION	THG	12/5/08

City of Rockwall, Texas

205 BYPASS PHASE 2

PLAN & PROFILE STA. 110+00 TO STA. 120+00

TCB AECOM

TCB INC. WWW.TCB.AECOM.COM
 17300 DALLAS PARKWAY, SUITE 1010
 DALLAS, TEXAS 75248

Unit	PW-DAL-FW	Scale	Horz: AS SHOWN Vert: AS SHOWN	Date	11/23/2009
Designed	THG	Checked	TCB	Project No.	60004153
Drawn	FG	Approved	TCB	Sheet	26 of 142

P:\4328\60004153\205Bypass\CADD\Sheets\Phase 2 - SH 66 To 120+00\Record Drawing 10.7.09\026PavIngrPP-205BPP04 - 12-03-08.dgn
 11/23/2009