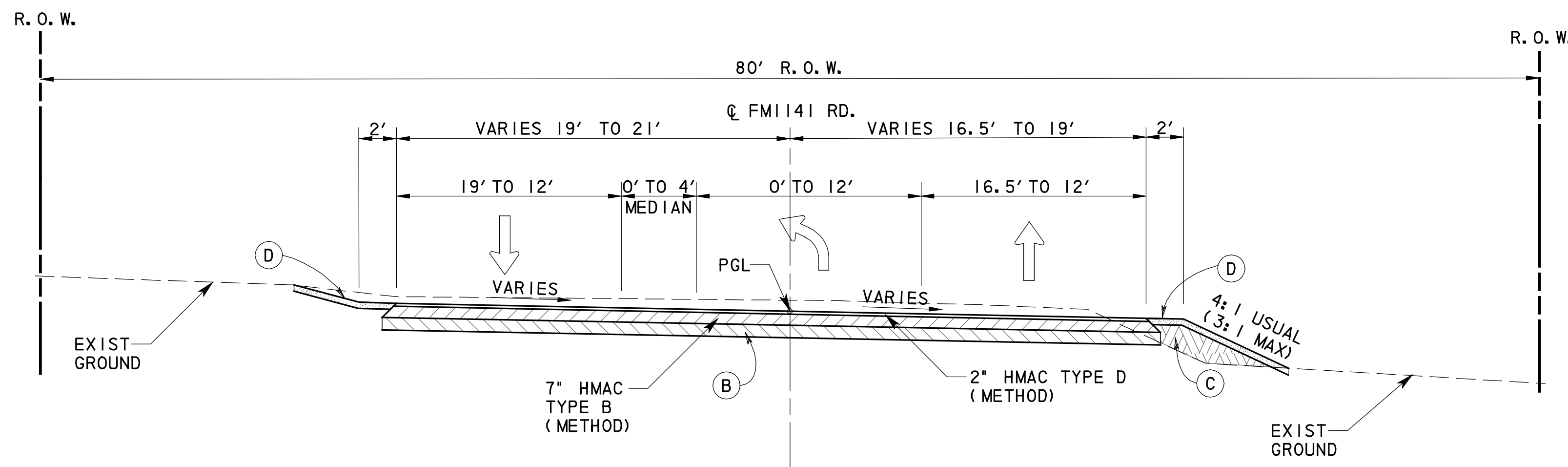
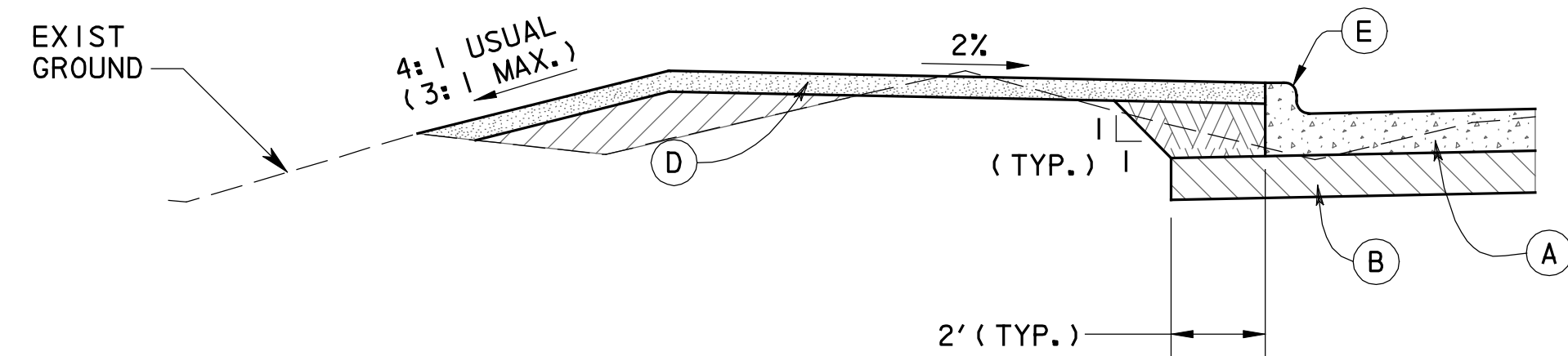


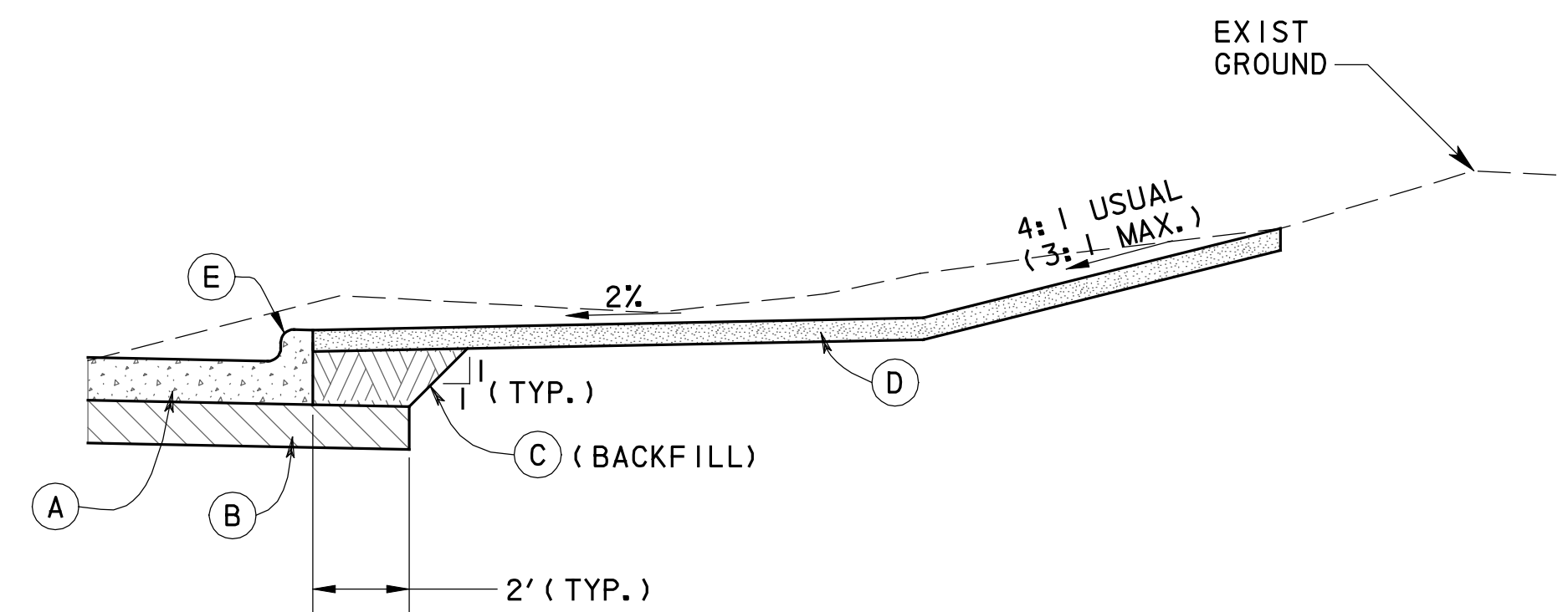
FM 1141 - ASPHALT TRANSITION (EAST)  
STA. 5+58 TO STA. 7+45



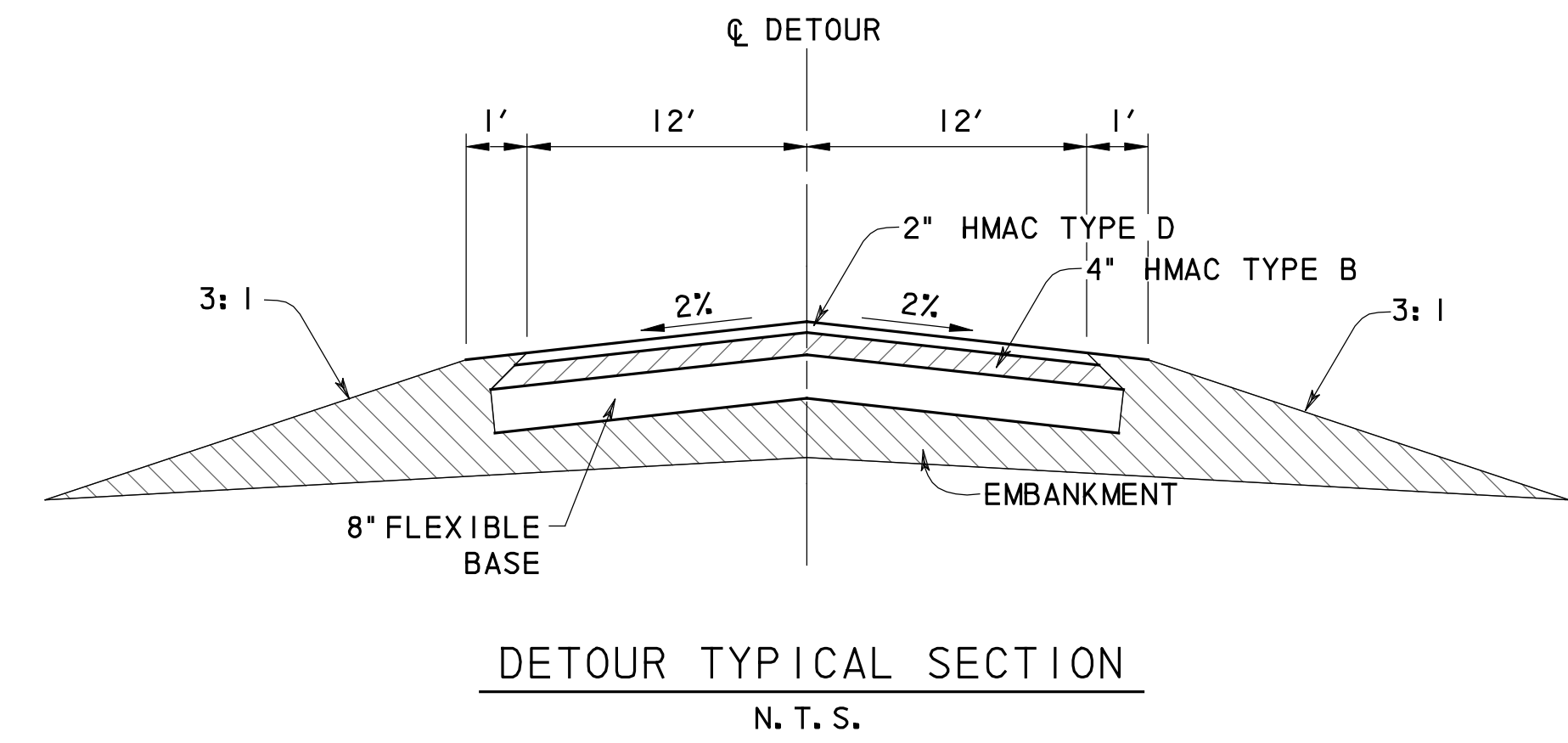
FM 1141 - ASPHALT TRANSITION (WEST)  
STA. 2+50 TO STA. 3+45



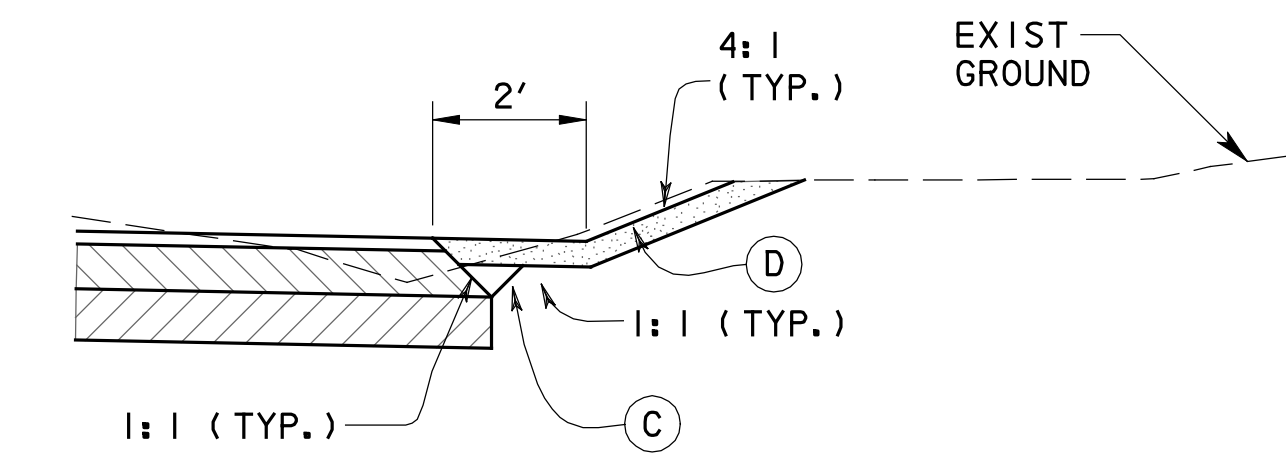
FM 1141  
TYPICAL CURB FILL TIE IN SECTION  
N. T. S.



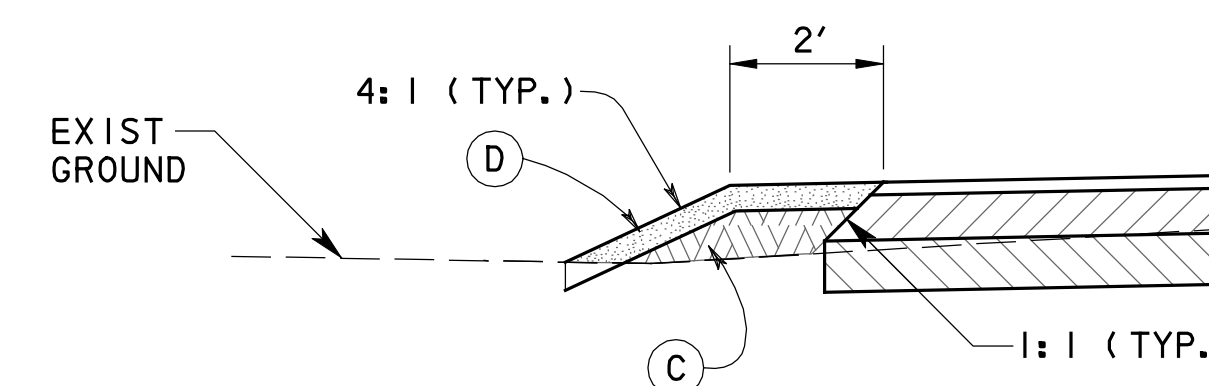
FM 1141  
TYPICAL CURB CUT TIE IN SECTION  
N. T. S.



DETOUR TYPICAL SECTION  
N. T. S.



FM 1141  
TYPICAL NON-CURB CUT TIE IN SECTION  
N. T. S.



FM 1141  
TYPICAL NON-CURB FILL TIE IN SECTION  
N. T. S.

- (A) 9" CONTINUOUSLY REINFORCED CONCRETE PAVEMENT (5000 PSI) (SEE DETAIL CRCP-03)
- (B) 8" LIME TREATED SUBGRADE WITH 38 POUNDS OF LIME PER SQUARE YARD
- (C) EMBANKMENT, COMPACTED TO 95% STD PROCTOR DENSITY WITH SHEEP'S FOOT ROLLER.
- (D) 4" TOPSOIL WITH BLOCK SODDING WITHIN THE ROW. SEE NOTE 3.
- (E) MONOLITHIC INTEGRAL CONCRETE CURB AND GUTTER
- (F) 4" TOPSOIL WITH HYDRO MULCH SEEDING OUTSIDE OF ROW. SEE NOTE 3.

NOTES:

1. 2% CROSS-SLOPE IS USUAL, UNLESS OTHERWISE SHOWN ON PLANS.
2. REFER TO CROSS SECTIONS FOR CUT AND EMBANKMENT SLOPE INFORMATION.
3. USE IMPORTED TOP SOIL WITHIN THE ROW AND ON EARTHEN CHANNEL SLOPES. USE TOP SOIL FROM THE PROJECT SITE FOR ALL OTHER AREAS OUTSIDE OF ROW. THE IMPORTED TOP SOIL SHALL MEET THE REQUIREMENTS OF C.O.G. SPEC 3.8.1 AND BE A CLAY SILT OR SILTY CLAY TYPE SOIL MEETING THE APPROVAL OF THE CITY FOR USE ON THIS PROJECT.

RECORD DRAWING

This drawing is a compilation of the original sealed engineering drawing and modifications by addenda, change orders and information furnished by the contractor. Information shown that was provided by the contractor and others not associated with the design engineer cannot be verified for accuracy or completeness. Original sealed drawing is on file at the office of AECOM USA Group, Inc., TBPE REG. NO. F-3082

ORIGINAL DRAWING  
SEALED & SIGNED BY  
T.H. Gaertner, P.E.  
TX NO. 37124

NO.	REVISION	BY	DATE



City of Rockwall, Texas

205 BYPASS  
PHASE 2

TYPICAL SECTIONS  
FM 1141

TCB AECOM  
TCB INC.  
WWW.TCB.AECOM.COM  
17300 DALLAS PARKWAY, SUITE 1010  
DALLAS, TEXAS 75248

Unit	PW-DAL-FW	Scale	Horz: AS SHOWN Vert: AS SHOWN	Date	11/23/2009
Designed	THG	Checked	TCB	Project No.	60004153
Drawn	FG	Approved	TCB	Sheet	5 of 142