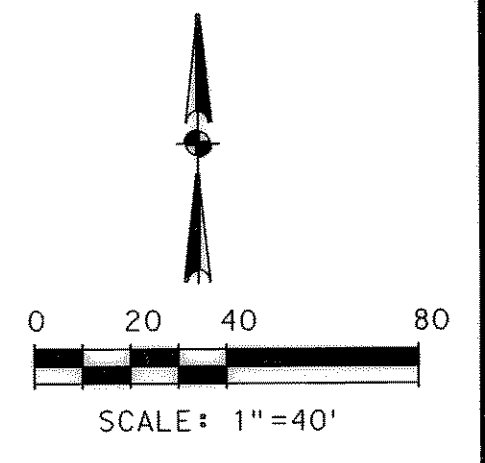
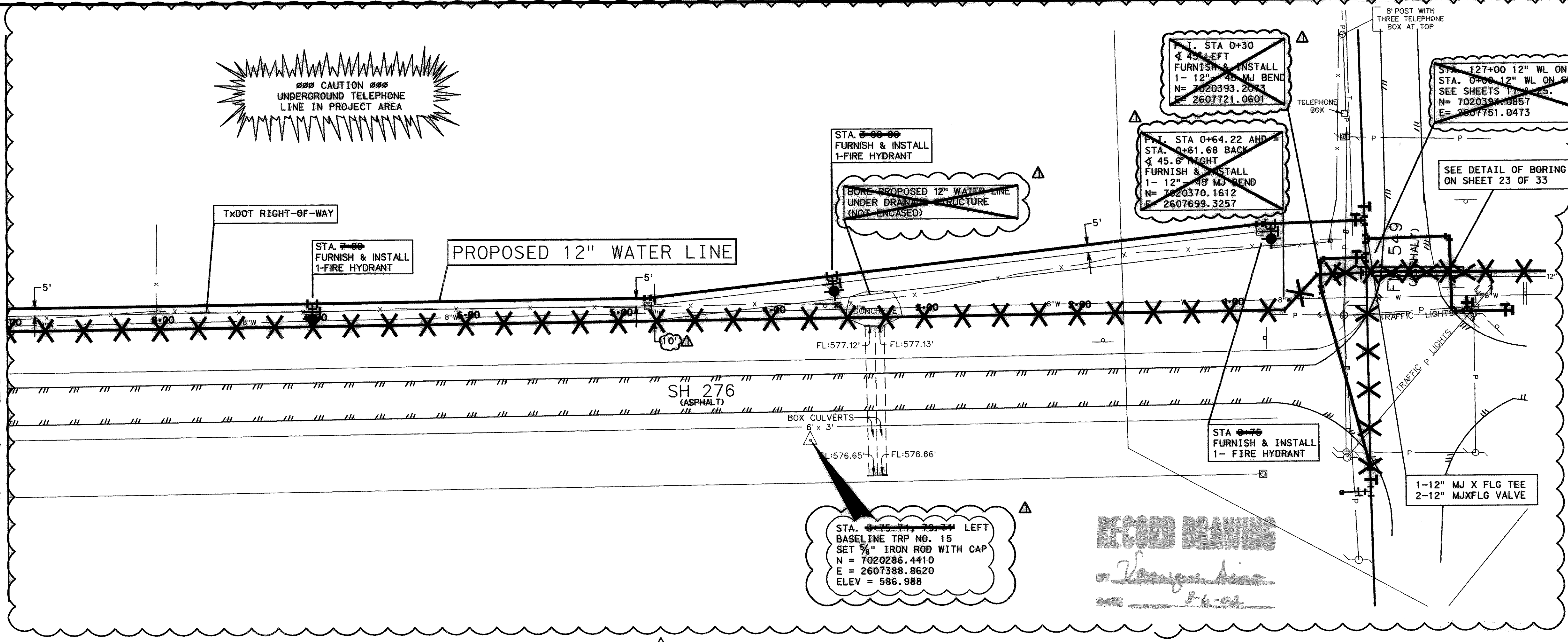


MATCH LINE STA. 9+00

CAUTION
UNDERGROUND TELEPHONE
LINE IN PROJECT AREA

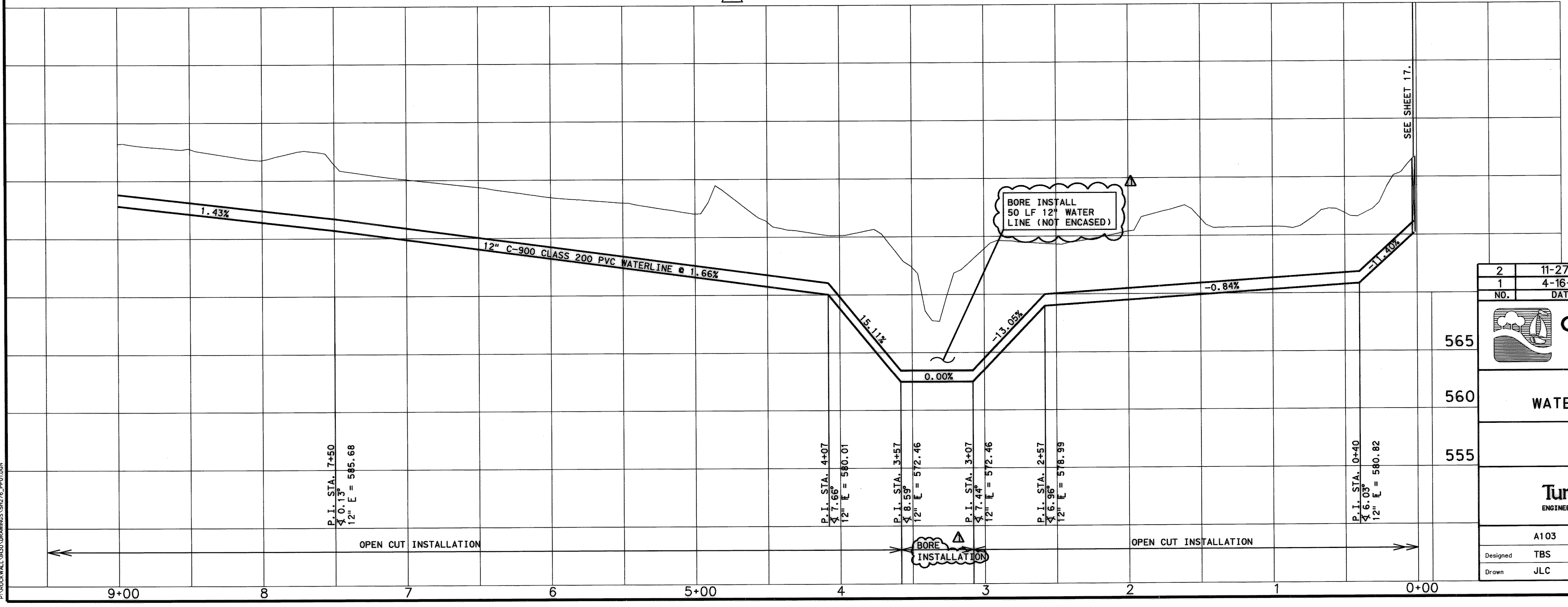
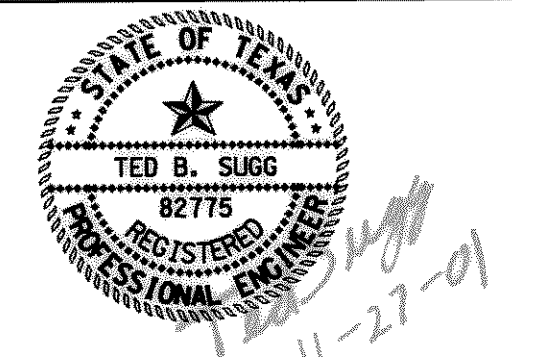


LEGEND	
[Symbol]	POWER POLE
[Symbol]	GUY WIRE
[Symbol]	TELEPHONE BOX
[Symbol]	POST
[Symbol]	SIGN
[Symbol]	IRON ROD
[Symbol]	FIRE HYDRANT
[Symbol]	WATER METER
[Symbol]	MAILBOX
[Symbol]	WATER METER
[Symbol]	IRRIGATION CONTROL VALVE
[Symbol]	GUARD RAIL
[Symbol]	GAS METER
[Symbol]	GROUND LIGHT
[Symbol]	CHAIN LINK FENCE
[Symbol]	WOOD FENCE
[Symbol]	ASH TREE
[Symbol]	OAK TREE
[Symbol]	CEDAR TREE
[Symbol]	BARBED WIRE FENCE
[Symbol]	REFLECTOR
[Symbol]	APPROXIMATE TELEPHONE LINE
[Symbol]	APPROXIMATE GAS LINE
[Symbol]	APPROXIMATE WATER LINE
[Symbol]	OVERHEAD POWER LINE
[Symbol]	PINE TREE
[Symbol]	PECAN TREE

RECORD DRAWING
DATE 3-6-02

STA. 3+75.44 TO 3+79.74 LEFT
BASELINE TRP NO. 15
SET 5/8" IRON ROD WITH CAP
N = 7020286.4410
E = 2607388.8620
ELEV = 586.988

UNDERGROUND UTILITIES
THE LOCATION OF EXISTING UTILITIES SHOWN ON THESE PLANS ARE APPROXIMATE AND BASED ON DATA FURNISHED BY UTILITY COMPANIES. IT IS THE RESPONSIBILITY OF THE CONTRACTOR TO LOCATE AND VERIFY ON-SITE THE UTILITIES THAT MAY CONFLICT WITH THE CONSTRUCTION.



NO.	DATE	REVISION	APPROV
2	11-27-01	RECORD DRAWING	TBS
1	4-16-99	REALIGNMENT	TBS

CITY OF ROCKWALL
"THE NEW HORIZON"

S.H. 276
WATER LINE IMPROVEMENTS

UTILITY PLAN AND PROFILE
12" WATER LINE

Turner Collie & Braden Inc.
ENGINEERS • PLANNERS • PROJECT MANAGERS

Designed	TBS	Checked	DWN	Job No.	15-98925-200
Drawn	JLC	Approved	RCR	SHEET	18 OF 33

A103 Scale: Horz. 1"=40' Vert. 1"=5' Date FEBRUARY, 1999

P:\ROCKWALL\USD\BUSINESS\SH276\PROJ.DWG